

SPARE PARTS MANUAL

# 1701B--1939B	1961, M-20B
# 1940C--2296C	1962, M-20C
# 2297C--2622C	1963, M-20C
# 2623C--2806C	1964, M-20C
# 101D--200D	1963, M-20D
# 201D--251D	1964, M-20D
# 101E--469E	1964, M-20E

Revised: October 15, 1963
Corrected: January 1966

MOONEY AIRCRAFT, INC.
Spare Parts Department
P.O. Box 72
Kerrville, Texas 78028

SPARE PARTS MANUAL

# 1701B--1939B	1961, M-20B
# 1940C--2296C	1962, M-20C
# 2297C--2622C	1963, M-20C
# 2623C--2806C	1964, M-20C
# 101D--200D	1963, M-20D
# 201D--251D	1964, M-20D
# 101E--469E	1964, M-20E

Revised: October 15, 1963
Corrected: January 1966

MOONEY AIRCRAFT, INC.
Spare Parts Department
P.O. Box 72
Kerrville, Texas 78028

INTRODUCTION

This illustrated parts catalog is designed to assist in the identification of standard replacement parts for the Mooney M-20 series aircraft designated on the foregoing lead page. The catalog features three major sections:

INTRODUCTION

This section should be read carefully to become familiar with the catalog arrangement and the correct procedure in ordering parts. A GROUP ASSEMBLY INDEX is included to help locate figure illustrations in the catalog.

GROUP ASSEMBLY PARTS LISTING

The body of the catalog lists standard replaceable parts. Each illustration is accompanied by an assembly breakdown in its adjacent text.

EFFECTIVITY LIST

The effectivity list in the catalog appendix tabulates all four-digit Mooney numbers with their corresponding six-digit cross reference numbers in addition to part effectivity listings. Six-digit numbers, in the first column toward the end of the effectivity list, are those having no analogous four-digit cross reference numbers. All Mooney parts manufactured prior to March 1962 were identified by four-digit numbers; whereas, subsequent parts were assigned six-digit numbers. Analogous numbers in the cross reference columns denote parts that are similar or interchangeable when their dash numbers (as indicated in the body of the catalog) are the same; consequently, this table will be helpful in discerning effectivity extensions of Mooney parts manufactured prior to March 1962.

NOTE

All "and On" designations in the effectivity lists are limited to the serial number categories tabulated in the SERIAL NUMBER INFORMATION column on the lead page.

TO LOCATE A PART

Refer to the GROUP ASSEMBLY INDEX to find the figure number where the part will be portrayed. Locate the part in the illustration and note its index number which corresponds to those in the accompanying text. The part number column identifies the item by its part or assembly number; this is the part number to be used in making an order.

References (...REF.) in the illustrations signify assemblies that are included in the illustrations for orientation purposes only. These referenced assemblies are parts of assemblies shown elsewhere in the catalog.

HOW TO ORDER PARTS

Place your order with the Mooney distributor in your area. Parts are available only through the authorized Mooney distributor organization, and all orders received at the factory that originate from other sources will be returned to the area distributor for processing. Always specify the PART NUMBER, DESCRIPTION, AND QUANTITY of parts desired. Be sure to include the part CODE NUMBER when listed in the price list, and indicate the MODEL and SERIAL NUMBER of the aircraft for which the parts are intended. Give complete address information. When the method of shipment (freight, express, parcel post, air express, air freight, or air parcel post) is not specified, or when the nature of the shipment requires special handling, parts will be shipped by the means most suitable to the shipper.

LIABILITIES

Orders are double checked before leaving the shipping department, and a packing slip is enclosed in the shipment. Claims for errors or shortages must be made within three days after receipt of orders, and no material should be returned without first obtaining written permission from the factory. Goods returned without notice will be held at the owner's risk for thirty days and will then be disposed of at the Company's discretion. Transportation charges for returned goods must be prepaid or the shipment will be refused. Mooney Aircraft, Inc., cannot be held liable for damage to parts incurred in transit. If a shipment is received in a damaged condition, have the delivery man or shipping company make a notation of the damage and file the claim with the carrier.

CAUTION

This parts catalog is intended only to aid in the ordering of replacement parts. The illustrations omit many details for the sake of clarity. Dimensions, systems routing, and irrelevant details have been intentionally distorted for maximum economy of space utilization. Therefore, it is essential that the illustrations not be used as guides for mechanical reassembly and installation of parts.

GROUP ASSEMBLY INDEX

Section I.	WING GROUP	1
	FIG. 1.	WING, CENTER SECTION DETAIL
	FIG. 2.	WING, TIP SECTION DETAIL
	FIG. 3.	WING, SKIN DETAIL
	FIG. 4.	WING, SCUPPER BOX & TANK VENT DETAIL
	FIG. 5.	WING, AILERON ASSEMBLY & FLAP ASSEMBLY
	FIG. 6.	WING, FUSELAGE TO WING MATING
Section II.	FUSELAGE AND TAIL CONE GROUP	20
	FIG. 7.	FUSELAGE, TUBULAR STRUCTURE
	FIG. 8.	FUSELAGE, TUBULAR SUB-ASSEMBLIES
	FIG. 9.	FUSELAGE, FORWARD SKINS & FIREWALL DETAIL
	FIG. 10.	FUSELAGE, BOTTOM SKINS & BULKHEADS
	FIG. 11.	FUSELAGE, INSTRUMENT PANEL DETAIL
	FIG. 12.	FUSELAGE, CABIN DOOR DETAIL
	FIG. 13.	FUSELAGE, BAGGAGE DOOR DETAIL
	FIG. 14.	FUSELAGE, WINDOW & WINDSHIELD INSTALLATION
	FIG. 15.	FUSELAGE, FLOORBOARD ASSEMBLY & INSTAL. , M-20B
	FIG. 16.	FUSELAGE, FLOORBOARD ASSEMBLY & INSTAL. , M-20C, D & E
	FIG. 17.	TAIL CONE, DETAIL
	FIG. 18.	TAIL CONE, SKIN DETAIL
	FIG. 19.	ACCESS DOORS & PANELS
Section III.	CHASSIS GROUP	77
	FIG. 20	MAIN LANDING GEAR ASSEMBLY & INSTALLATION
	FIG. 21.	NOSE LANDING GEAR ASSEMBLY & INSTALLATION
	FIG. 22.	LANDING GEAR FAIRING ASSEMBLIES
	FIG. 23.	LANDING GEAR DOOR INSTALLATION
	FIG. 24.	WHEEL & BRAKE DETAIL, M-20B
	FIG. 25.	WHEEL & BRAKE DETAIL, M-20C, D & E
	FIG. 26.	GEAR RETRACTION SYSTEM
	FIG. 27.	HYDRAULIC BRAKE SYSTEM
Section IV.	CONTROL SYSTEM GROUP	
	FIG. 28.	TRIM CONTROL SYSTEM, M-20B
	FIG. 29.	TRIM CONTROL SYSTEM, M-20C, D & E
	FIG. 30.	FLAP CONTROL SYSTEM, M-20B
	FIG. 31.	HYDRAULIC FLAP CONTROL SYSTEM, M-20C, D & E
	FIG. 32.	ELEVATOR & AILERON CONTROL SYSTEM
	FIG. 33.	RUDDER, BRAKE & NOSE WHEEL CONTROL SYSTEM

Section V.	TAIL SECTION GROUP	94
	FIG. 34. STABILIZER & STINGER ASSEMBLY	
	FIG. 35. FIN ASSEMBLY	
	FIG. 36. ELEVATOR ASSEMBLY & RUDDER ASSEMBLY	
	FIG. 37. EMPENNAGE INSTALLATION	
Section VI.	POWER PLANT GROUP	104
	FIG. 38. ENGINE & PROPELLER INSTALLATION, M-20B, C & D	
	FIG. 39. ENGINE & PROPELLER INSTALLATION, M-20E	
	FIG. 40. ENGINE COWLING DETAIL, M-20B, C & D	
	FIG. 41. ENGINE COWLING DETAIL, M-20E	
	FIG. 42. ENGINE BAFFLE DETAIL, M-20B, C & D	
	FIG. 43. ENGINE BAFFLE DETAIL, M-20E	
	FIG. 44. ENGINE CONTROLS INSTALLATION, M-20B	
	FIG. 45. ENGINE CONTROLS INSTALLATION, M-20C, D & E	
	FIG. 46. ENGINE INDUCTION & EXHAUST SYSTEM, M-20B	
	FIG. 47. ENGINE INDUCTION & EXHAUST SYSTEM, M-20C & D	
	FIG. 48. ENGINE INDUCTION SYSTEM, M-20E	
	FIG. 49. ENGINE EXHAUST SYSTEM, M-20E	
Section VII.	FUEL AND OIL SYSTEM	132
	FIG. 50. FUEL SYSTEM SCHEMATIC, M-20B, C & D	
	FIG. 51. FUEL SYSTEM SCHEMATIC, M-20C & D	
	FIG. 52. FUEL SYSTEM SCHEMATIC, M-20E	
	FIG. 53. OIL SYSTEM INSTALLATION	
Section VIII.	CABIN INTERIOR GROUP	142
	FIG. 54. CABIN INTERIOR, M-20B & C	
	FIG. 55. CABIN INTERIOR, M-20C, D & E	
	FIG. 56. SEAT ASSEMBLY & INSTALLATION	
	FIG. 57. INTERIOR PLACARDS & DECALS	
Section IX.	ELECTRICAL GROUP	156
	FIG. 58. ELECTRICAL SYSTEM SCHEMATIC, M-20B	
	FIG. 58A. ELECTRICAL SYSTEM SCHEMATIC, M-20B	
	FIG. 59. ELECTRICAL SYSTEM SCHEMATIC, M-20C	
	FIG. 59A. ELECTRICAL SYSTEM SCHEMATIC, M-20C	
	FIG. 60. ELECTRICAL SYSTEM SCHEMATIC, M-20D	
	FIG. 60A. ELECTRICAL SYSTEM SCHEMATIC, M-20D	
	FIG. 61. ELECTRICAL SYSTEM SCHEMATIC, M-20C	
	FIG. 61A. ELECTRICAL SYSTEM SCHEMATIC, M-20C	
	FIG. 62. ELECTRICAL SYSTEM SCHEMATIC, M-20E	
	FIG. 62A. ELECTRICAL SYSTEM SCHEMATIC, M-20E	

Section X.	SYSTEMS GROUP	170
	FIG. 63. CABIN VENTILATION SYSTEM, M-20B & C	
	FIG. 64. CABIN VENTILATION SYSTEM, M-20C, D & E	
	FIG. 65. CABIN COOLING SYSTEM	
	FIG. 66. VACUUM SYSTEM INSTALLATION	
	FIG. 67. COWL FLAP CONTROL SYSTEM	
	FIG. 68. RETRACTABLE STEP SYSTEM	
Section XI.	MISCELLANEOUS	183
	FIG. 69. PAINT SCHEME	
	FIG. 70. EXTERIOR DECALS	
	FIG. 71. EXTERIOR PLACARDS	
	FIG. 72. EXTERIOR DECORATING TAPE, M-20C & E	
	FIG. 73. WING, FIN & STABILIZER STATIONS	
	FIG. 74. FUSELAGE & TAIL CONE STATIONS	

- I - WING GROUP
- II - FUSELAGE & TAIL CONE GROUP
- III - CHASSIS GROUP
- IV - CONTROL SYSTEMS GROUP
- V - TAIL GROUP
- VI - POWER PLANT GROUP

- VII - FUEL & OIL SYSTEM GROUP
- VIII - INTERIOR DETAIL GROUP
- IX - ELECTRICAL GROUP
- X - SYSTEMS GROUP, MISC.
- XI - MISC. GROUP

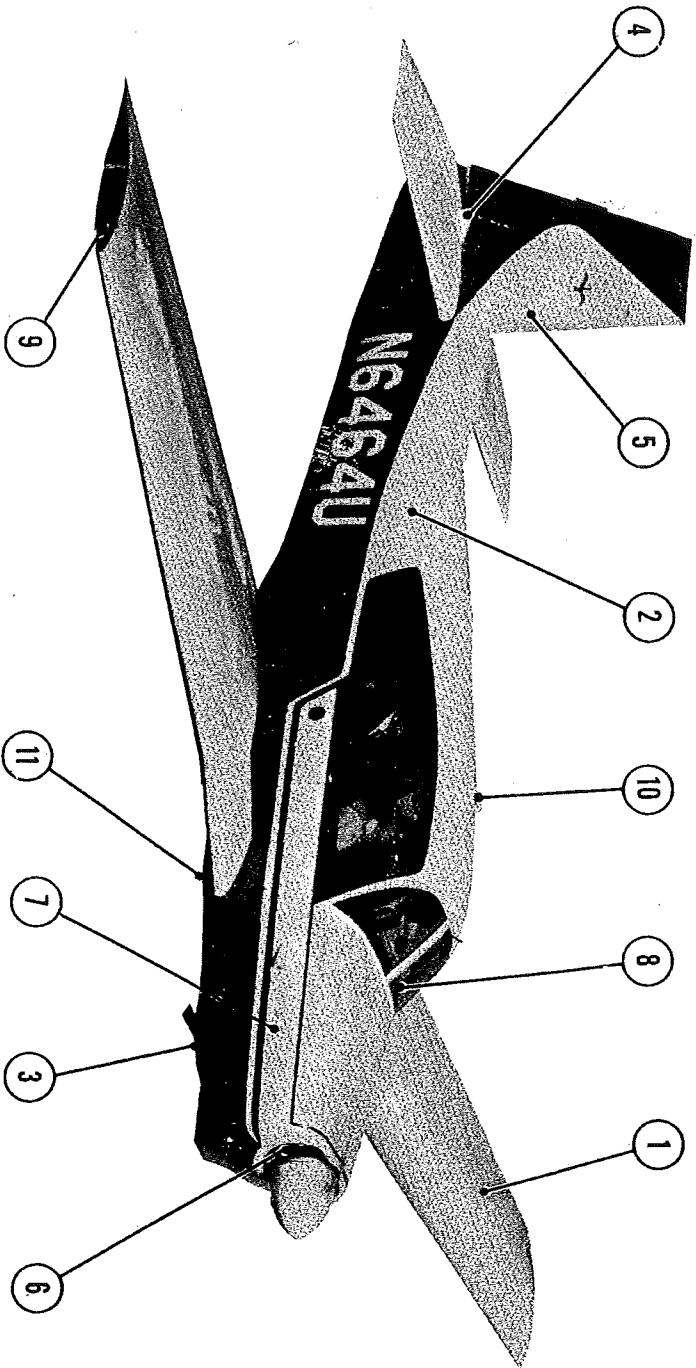


FIG. 1 - WING, CENTER SECTION DETAIL

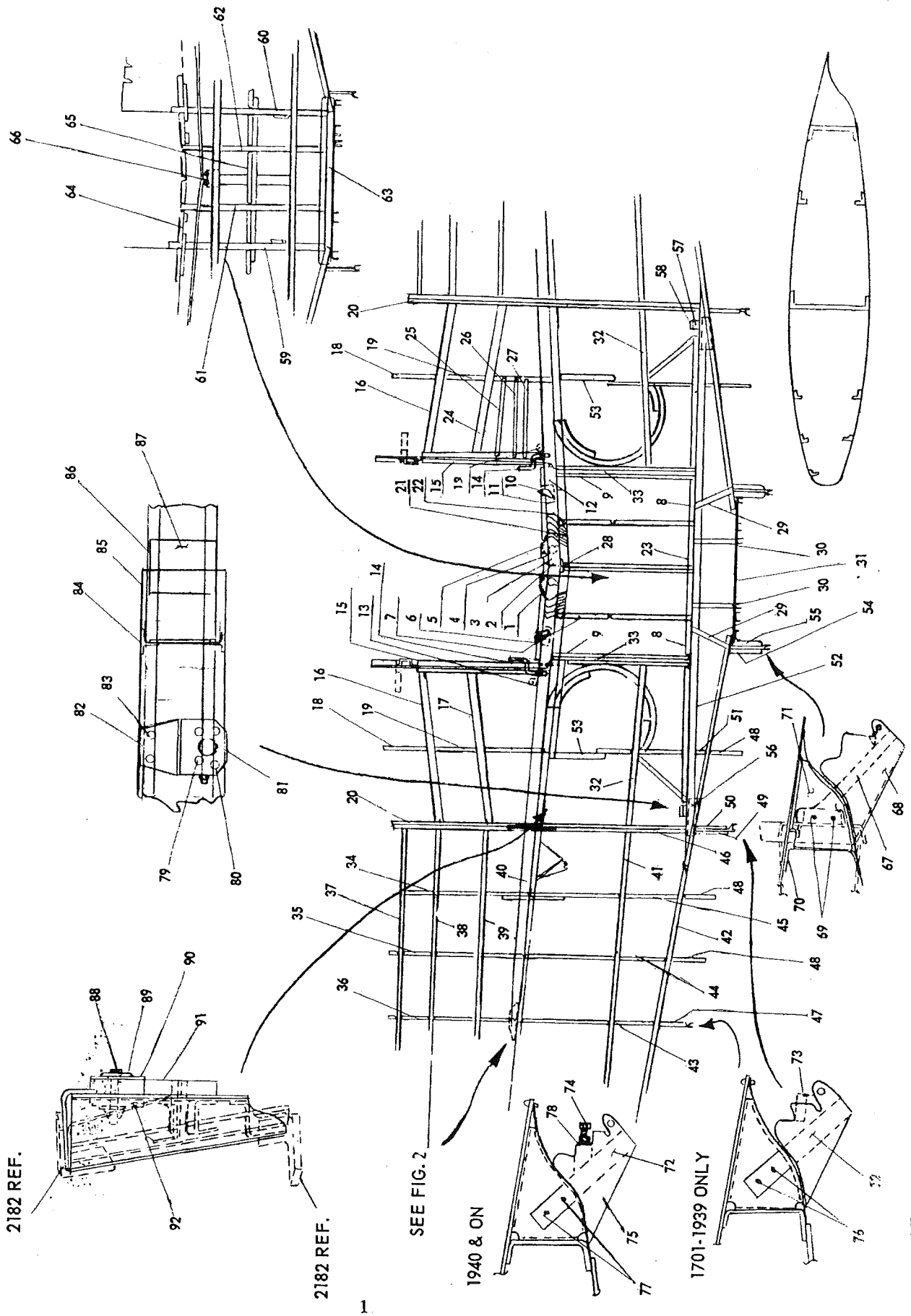




Fig.	Index	Parts No.	Description	Units Assy.
		2180	WING ASSEMBLY	1
		2180-501	WING ASSEMBLY	1
		2180-57	CENTER SECTION ASSEMBLY	1
		2180-55	TANK ASSEMBLY, Left	1
		2180-56	TANK ASSEMBLY, Right	1
1	1	5231-7	BRACKET, Ret. Bellcrank, Left	1
		5231-8	BRACKET, Ret. Bellcrank, Right	1
	2	2173	PLATE, Splice, Main Spar, Bottom	1
	3	2174	PLATE, Splice, Main Spar, Top	1
	4	2226	PLATE, Splice, Main Spar	1
	5	2229	PLATE, Splice, Main Spar	1
	6	2230	RIB ASSEMBLY, Sta. 0.000	1
	7	2271-1	RIB ASSEMBLY, Left	1
		2271-2	RIB ASSEMBLY, Right	1
	8	2251	FILLER, Stub Spar	2
	9	2236-1	Z RAIL & RIB ASSEMBLY	1
		2236-2	Z RAIL & RIB ASSEMBLY	1
	10	7231-7	PLATE	1
		7231-8	PLATE	1
	11	7232-1	BRACKET	1
		7232-2	BRACKET	1
	12	2226	PLATE, Splice, Main Spar	2
	13	F391	VALVE, Fuel	2
	14	2240-1	FITTING, Fuel Outlet	1
		2240-2	FITTING, Fuel Outlet	1
	15	2195-1	RIB ASSEMBLY, Leading Edge, Sta. 24.50	1
		2195-2	RIB ASSEMBLY, Leading Edge, Sta. 24.50	1
	16	2214-1	TANK, Front Assembly	1
		2214-2	TANK, Front Assembly	1
	17	2180-29	STRINGER, Top Left	1
		2180-31	STRINGER, Bottom Left	1
	18	2201-1	RIB, Nose Sta. 43.5	1
		2201-2	RIB, Nose Sta. 43.5	1
	19	2190-1	BAFFLE, Rib Assy., Wing Sta. 43.50	1
		2190-2	BAFFLE, Rib Assy., Wing Sta. 43.50	1
	20	2211-1	RIB, Sta. 59.25	1
		2211-2	RIB, Sta. 59.25	1
	21	2227	PLATE, Splice, Main Spar	1
	22	2228	PLATE, Splice, Main Spar	1
	23	2255	FILLER, Stub Spar	1
	24	2180-30	STRINGER, Top, Right	1
		2180-32	STRINGER, Bottom, Right	1
	25	2180-100	STRINGER, Top, Right	1

Fig.	Index	Parts No.	Description	Units Assy.
1	26	2180-34	STRINGER, Top, Right	1
	27	2180-102	STRINGER, Top, Right	1
	28	2172	PLATE, Splice, Main Spar Web	1
	29	2217-7	WEB, Rib, Sta. 21.125	1
		2217-8	WEB, Rib, Sta. 21.125	1
	30	2216-7	RIB, Center Section Butt Line	1
		2216-8	RIB, Center Section Butt Line	1
	31	2212	SPAR ASSEMBLY, Rear Center Splice	1
	32	2180-27	STRINGER, Left	1
		2180-28	STRINGER, Right	1
	33	2217-1	RIB, Sta. 21.125	1
		2217-2	RIB, Sta. 21.125	1
	34	2193-1	RIB ASSEMBLY, Sta. 74.00	1
		2193-2	RIB ASSEMBLY, Sta. 74.00	1
	35	2202-1	RIB, Wing Sta. 88.750	1
		2202-2	RIB, Wing Sta. 88.750	1
	36	2203-1	RIB, Wing Sta. 103.500	1
		2203-2	RIB, Wing Sta. 103.500	1
	37	2180-135	STRINGER, Top, Left	1
		2180-136	STRINGER, Top, Right	1
	38	2180-131	STRINGER, Top, Left	1
		2180-132	STRINGER, Top, Right	1
		2180-133	STRINGER, Bottom, Left	1
		2180-134	STRINGER, Bottom, Right	1
	39	2180-129	STRINGER, Bottom, Left	1
		2180-130	STRINGER, Bottom, Right	1
		2180-127	STRINGER, Top, Left	1
		2180-128	STRINGER, Top, Right	1
	40	2182	SPAR ASSEMBLY, Main	1
	41	2180-125	STRINGER, Bottom, Left	1
		2180-126	STRINGER, Bottom, Right	1
		2180-137	STRINGER, Top, Left	1
		2180-124	STRINGER, Top, Right	1
	42	2191-7	SPAR ASSEMBLY, Rear, IB, LH.	1
		2191-8	SPAR ASSEMBLY, Rear, IB, RH.	1
	43	2203-9	RIB, Wing Sta. 103.500	1
		2203-10	RIB, Wing Sta. 103.500	1
	44	2202-9	RIB, Wing Sta. 88.750	1
		2202-10	RIB, Wing Sta. 88.750	1
	45	2193-3	RIB, Wing Sta. 74.00	1
		2193-4	RIB, Wing Sta. 74.00	1
	46	2211-3	RIB, Wing Sta. 59.250	1
		2211-4	RIB, Wing Sta. 59.250	1
	47	2225-7	RIB, Trailing Edge	1
		2225-8	RIB, Trailing Edge	1



Fig.	Index	Parts No.	Description	Units Assy.
1	48	2186-7	RIB, Trailing Edge	3
		2186-8	RIB, Trailing Edge	3
	49	2219-7	FAIRING, Flap Hinge	1
		2219-8	FAIRING, Flap Hinge	1
	50	2225-7	RIB, Trailing Edge	1
		2225-8	RIB, Trailing Edge	1
	51	2232-9	RIB, Wing Sta. 43.50	1
		2232-10	RIB, Wing Sta. 43.50	1
	52	2213	SPAR, Stub	1
	53	2232-1	RIB, Sta. 43.50	1
		2232-2	RIB, Sta. 43.50	1
	54	2224-7	RIB, Trailing Edge	1
		2224-8	RIB, Trailing Edge	1
	55	2225-7	RIB, Trailing Edge	1
		2225-8	RIB, Trailing Edge	1
		2225-9	RIB, Trailing Edge	1
		2225-10	RIB, Trailing Edge	1
	56	2242-7	PLATE, Splice	1
		2242-8	PLATE, Splice	1
	57	2257-9	BRACKET, Main Gear Attach.	2
	58	2257-7	BRACKET, Main Gear Attach.	2
		2257-8	BRACKET, Main Gear Attach.	2
	59	2180-110	STRINGER, Belly Fairing	1
	60	2180-111	STRINGER, Belly Fairing	1
	61	2180-112	STRINGER, Belly Fairing	1
	62	2180-111	STRINGER, Belly Fairing	1
	63	2275	FORMER, Belly Fairing Sta. 90.75	1
	64	2274-501	FORMER, Belly Fairing Sta. 58.75	1
	65	2276	FORMER, Belly Fairing Sta. 73.0	1
	66	7252-3	PLATE, Bearing Trim Support	1
	67	2220	ARM, Flap Hinge	2
	68	2219	FAIRING, Flap Hinge	2
		2219-9	FAIRING, LH.	2
		2219-10	FAIRING, LH. RH.	2
	69	AN 3-6A	BOLT	3
		AN 960-10L	WASHER	6
		AN 365-1032	NUT	3
	70	2191-1	SPAR ASSEMBLY, Rear	1
		2191-2	SPAR ASSEMBLY, Rear	1
	71	2224-1	RIB, Trailing Edge	1
		2224-2	RIB, Trailing Edge	1
	72	2249	ARM, Flap Hinge	4
	73	2180-123	SPACER, Sta. 59.250 Only	1
	74	AN 3-7A	BOLT	6
		AN 315-3	NUT	12

Fig.	Index	Parts No.	Description	Units Assy.
1	75	2219-9	FAIRING, Flap Hinge	6
		2219-10	FAIRING, Flap Hinge	6
	76	AN 3-5A	BOLT	8
		AN 960-10L	WASHER	16
		AN 365-1032	NUT	8
		AN 3-5A	BOLT, Sta. 147.750 Only	4
		AN 960-10L	WASHER	8
		AN 366F-1032	NUT	4
	77	AN 3-5A	BOLT	12
		AN 960-10L	WASHER	24
		AN 366F-1032	NUT	12
	78	2326-7	BLOCK, Flap Up Stop	12
	79	AN 4-11A	BOLT	4
		AN 960-416L	WASHER	4
	80	AN 4-14A	BOLT	4
		AN 960-416L	WASHER	4
	81	2257-7	BRACKET, Main Gear Attach.	2
		2257-8	BRACKET, Main Gear Attach.	2
	82	2257-9	BRACKET, Main Gear Attach.	2
	83	AN 4-6A	BOLT	4
		AN 960-416L	WASHER	4
	84	2211-1	RIB, Wing Sta. 59.25	1
		2211-2	RIB, Wing Sta. 59.25	1
	85	2213	SPAR, Stub	1
	86	2191-1	SPAR ASSEMBLY, Rear	1
		2191-2	SPAR ASSEMBLY, Rear	1
	87	2254	PLATE, Spar	1
	88	AN 5-13A	BOLT	2
		AN 960-516L	WASHER	2
	89	5232	BEARING, Front Support	2
		210126-3	BEARING, Front Support	2
	90	5258	SPACER, Main Gear Attach.	2
	91	5233	STRAP, Tension	2
	92	5234	PLATE ASSEMBLY	2

FIG. 2 -- WING, TIP SECTION DETAIL

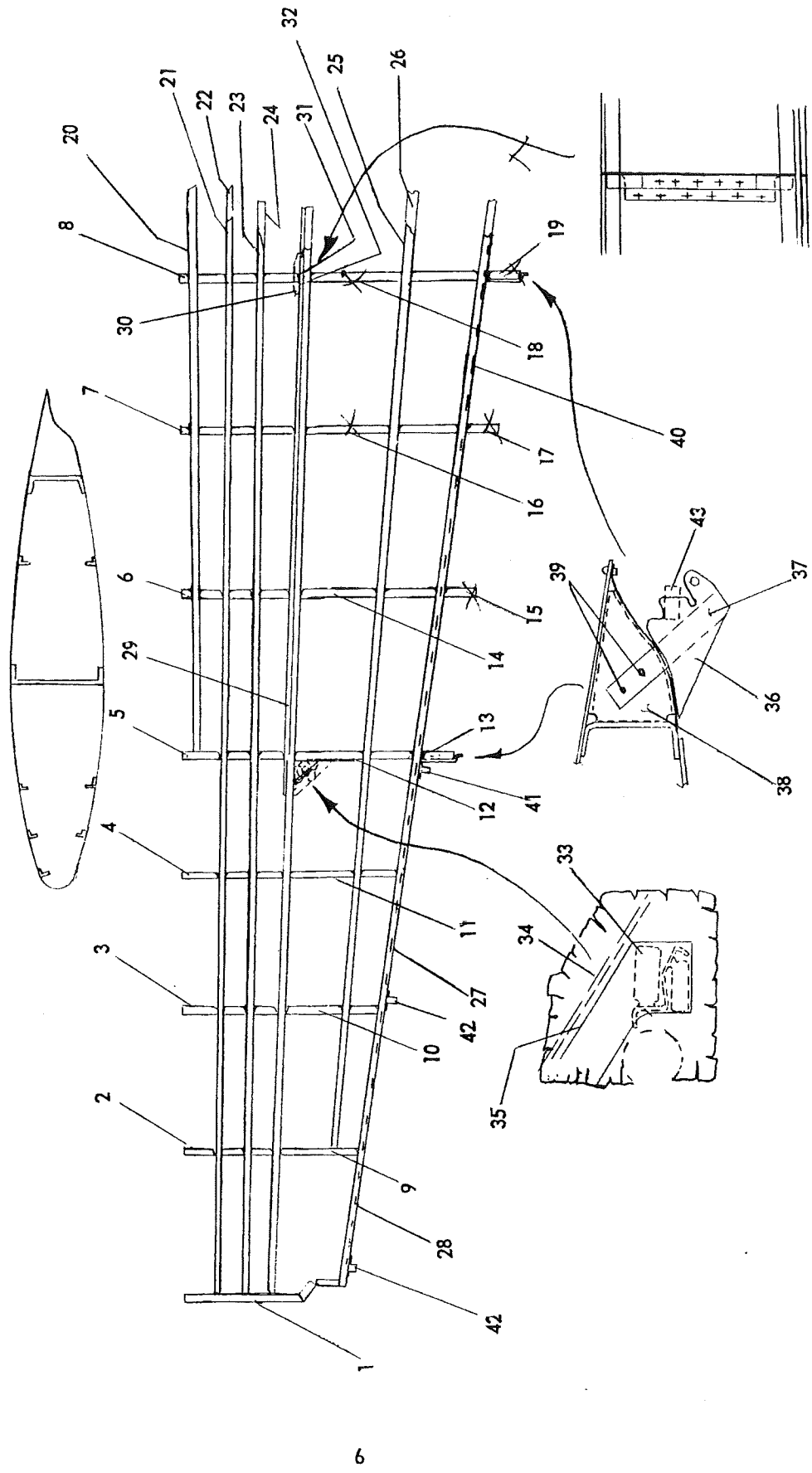




Fig.	Index	Parts No.	Description	Units Assy.
		2180-51	WING TIP ASSEMBLY, Left	1
		2180-52	WING TIP ASSEMBLY, Right	1
2	1	2179-1	RIB, Left	1
		2179-2	RIB, Right	1
	2	2187-7	RIB, Left	1
		2187-8	RIB, Right	1
	3	2185-7	RIB, Left	1
		2185-8	RIB, Right	1
	4	2188-7	RIB, Left	1
		2188-8	RIB, Right	1
	5	2184-7	RIB, Left	1
		2184-8	RIB, Right	1
	6	2189-1	RIB, Left	1
		2189-2	RIB, Right	1
	7	2194-1	RIB, Left	1
		2194-2	RIB, Right	1
	8	2203-1	RIB, Left	1
		2203-2	RIB, Right	1
	9	2187-9	RIB, Left	1
		2187-10	RIB, Right	1
	10	2185-9	RIB, Left	1
		2185-10	RIB, Right	1
	11	2188-9	RIB, Left	1
		2188-10	RIB, Right	1
	12	2184-9	RIB, Left	1
		2184-10	RIB, Right	1
	13	2244-7	RIB, Left	1
		2244-8	RIB, Right	1
		2244-1	RIB, Left	1
		2244-2	RIB, Right	1
	14	2189-9	RIB, Left	1
		2189-10	RIB, Right	1
	15	2186-7	RIB, Left	1
		2186-8	RIB, Right	1
	16	2194-9	RIB, Left	1
		2194-10	RIB, Right	1
	17	2186-7	RIB, Left	1
		2186-8	RIB, Right	1
	18	2203-9	RIB, Left	1
		2203-10	RIB, Right	1
	19	2225-7	RIB, Left	1
		2225-8	RIB, Right	1

Fig.	Index	Parts No.	Description	Units Assy.
2	20	2180-135	STRINGER, Top, Left	1
		2180-136	STRINGER, Top, Right	1
	21	2180-131	STRINGER, Top, Left	1
		2180-132	STRINGER, Top, Right	1
	22	2180-133	STRINGER, Bottom, Left	1
		2180-134	STRINGER, Bottom, Right	1
	23	2180-129	STRINGER, Bottom, Left	1
		2180-130	STRINGER, Bottom, Right	1
	24	2180-127	STRINGER, Top, Left	1
		2180-128	STRINGER, Top, Right	1
	25	2180-124	STRINGER, Top, Left	1
		2180-137	STRINGER, Top, Right	1
	26	2180-125	STRINGER, Bottom, Left	1
		2180-126	STRINGER, Bottom, Right	1
	27	2281-7	AIR SEAL, Aileron, Left	2
		2281-9	AIR SEAL, Aileron, Right	2
	28	2281-11	AIR SEAL, Aileron, Left	2
		2281-13	AIR SEAL, Aileron, Right	2
	29	2171-1	OUTBOARD ASSEMBLY, Main Spar, Left	1
		2171-2	OUTBOARD ASSEMBLY, Main Spar, Right	1
30		2256	STIFFENER	2
	31	2198-7	SPLICE, Upper, Left	1
		2198-8	SPLICE, Upper, Right	1
	32	2199-7	SPLICE, Lower, Left	1
		2199-8	SPLICE, Lower, Right	1
33		7262	BRACKET, Aileron Stop	2
	34	2183-1	BRACKET, Bellcrank, Left	1
		2183-2	BRACKET, Bellcrank, Right	1
	35	2285-1	BRACKET, Left	1
		2285-2	BRACKET, Right	1
	36	2219-9	FAIRING, Flap, Left	2
		2219-10	FAIRING, Flap, Right	2
37		2249	ARM, Flap Hinge	2
	38	2244-7	RIB, Trailing Edge, Left	2
		2244-8	RIB, Trailing Edge, Right	2
		2244-1	RIB, Trailing Edge, Left	2
		2244-2	RIB, Trailing Edge, Right	2
	39	AN 3-5A	BOLT	4
		AN 960-10L	WASHER	8
		AN 366F-1032	NUT	4
	40	2219-17	SPAR, Rear, Left	1
		2219-18	SPAR, Rear, Right	1
41		2181-1	HINGE, Aileron	1
42		2181	HINGE, Aileron	2
	43	AN 3-7A	BOLT	2
		AN 315-3	NUT	4



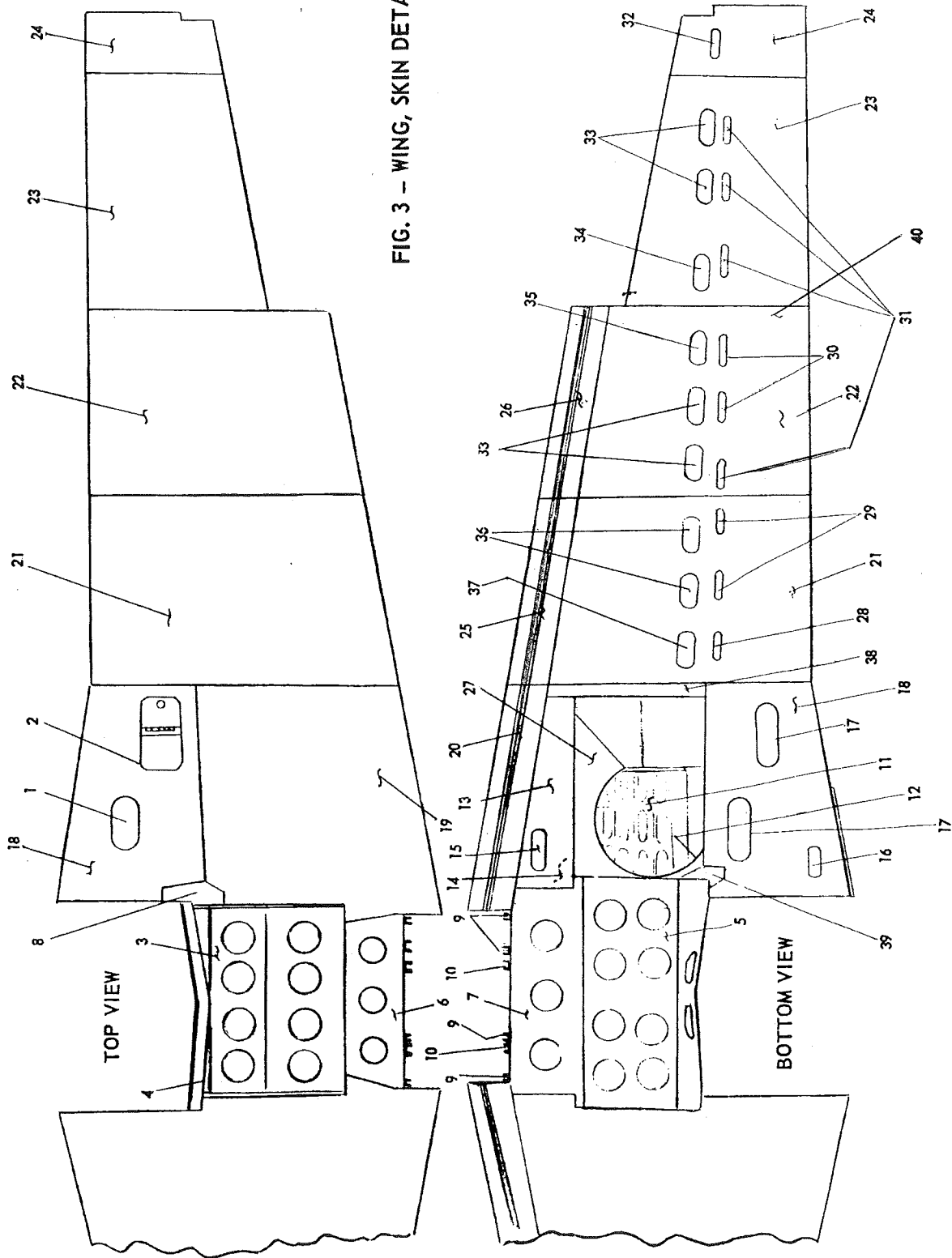




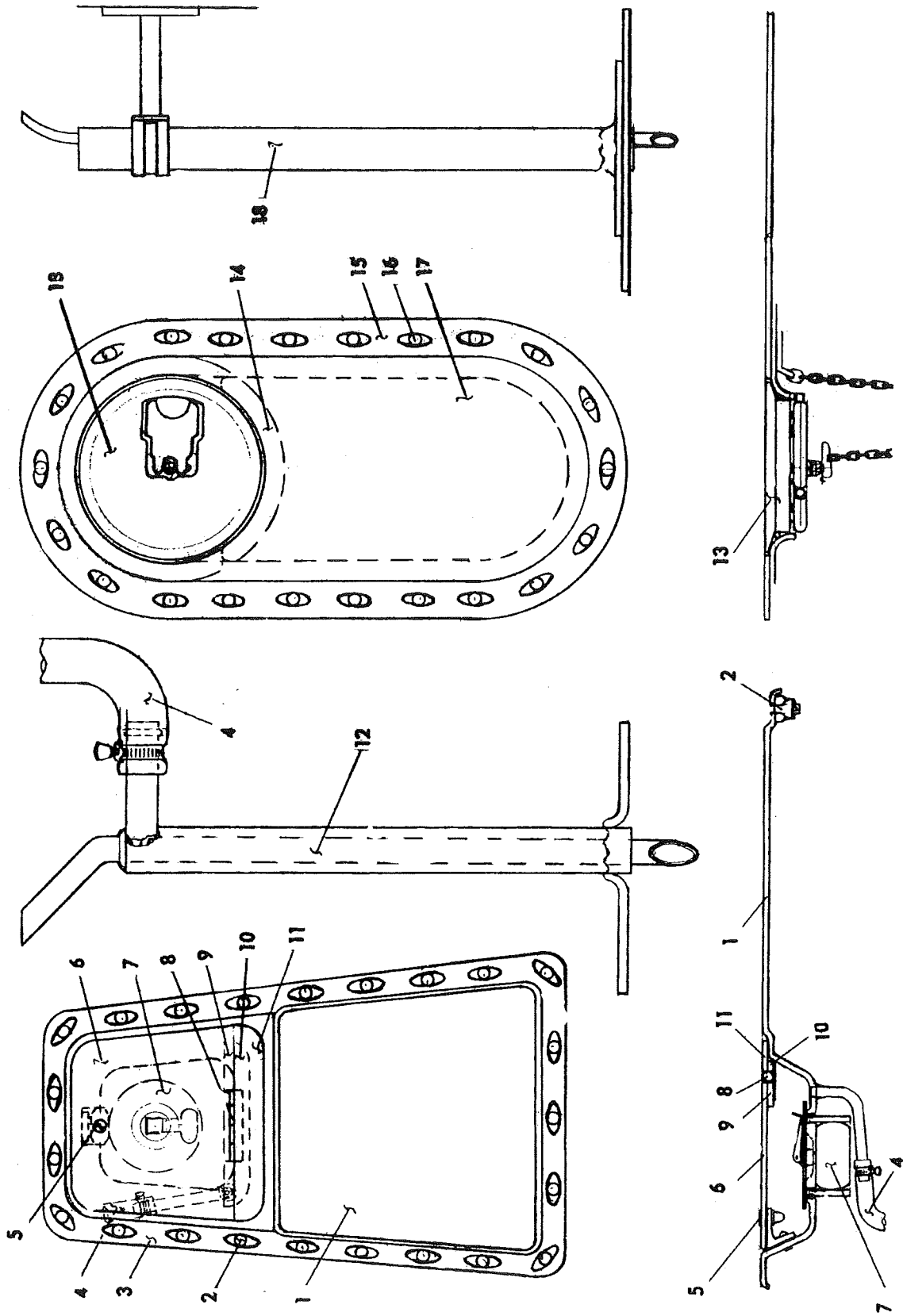
Fig.	Index	Parts No.	Description	Units Assy.
			WING, SKIN DETAIL	
3	1	2235-1	ACCESS PANEL, Fuel Tank	2
	2	2231-1	BOX ASSEMBLY, Scupper	1
		2231-2	BOX ASSEMBLY, Scupper	1
	3	2260	SEAT BOTTOM, Rear	1
	4	2215	STRIP, Seat Attach.	1
	5	2261	PANEL, Center Lower	1
	6	2263	SKIN, Top Rear	1
	7	2264	SKIN, Lower Center Rear	1
	8	2323-7	DOUBLER, Left	1
		2323-8	DOUBLER, Right	1
	9	7238	BRACKET, Flap Torque Tube	2
		7316-7	BRACKET, Flap Torque Tube	2
10		822	BRACKET	2
11		2250	SUPPORT, Wing Walk	1
12		2282-1	LINER ASSEMBLY, Wheel Well, Left	1
		2282-2	LINER ASSEMBLY, Wheel Well, Right	1
13		2180-19	SKIN, Left	1
		2180-20	SKIN, Right	1
14		2270	SUPPORT, Wing Walk	1
15		2258-3	COVER, Inspection	2
		2313-3	COVER, Inspection	2
		913000-501	COVER, Inspection	2
16		2313-1	COVER, Inspection	2
17		2235-3	COVER, Inspection	2
		2235-1	ACCESS PANEL, Fuel Tank	2
18		2180-15	SKIN, Left Tank	1
		2180-16	SKIN, Right Tank	1
19		2180-17	SKIN, Left	1
		2180-18	SKIN, Right	1
20		2180-119	SKIN, Left	1
		2180-120	SKIN, Right	1
21		2180-13	SKIN, Left	1
		2180-141	SKIN, Left	1
		2180-14	SKIN, Right	1
		2180-142	SKIN, Right	1
22		2180-11	SKIN, Left	1
		2180-143	SKIN, Left	1
		2180-12	SKIN, Right	1
		2180-144	SKIN, Right	1

Fig.	Index	Parts No.	Description	Units Assy.
23		2180-9	SKIN, Left	1
		2180-145	SKIN, Left	1
		2180-10	SKIN, Right	1
		2180-146	SKIN, Right	1
24		2180-7	SKIN, Left	1
		2180-147	SKIN, Left	1
		2180-8	SKIN, Right	1
		2180-148	SKIN, Right	1
25		2180-21	SKIN, Left	1
		2180-22	SKIN, Right	1
26		2180-121	SKIN, Left	1
		2180-122	SKIN, Right	1
27		2272-1	SKIN, Left	1
		2272-2	SKIN, Right	1
28		2313-3	COVER, Inspection	2
		913000-501	COVER, Inspection	2
29		2258-3	COVER, Inspection	4
		913000-501	COVER, Inspection	4
30		2258-1	COVER, Inspection, Left Side	4
		2313-5	COVER, Inspection, Left Side	4
		913000-501	COVER, Inspection, Left Side	4
		2258-1	COVER, Inspection, Right Side	4
		913000-501	COVER, Inspection, Right Side	4
31		2258-1	COVER, Inspection	8
		913000-501	COVER, Inspection	8
32		2258-1	COVER, Inspection	2
		2328-1	COVER, Inspection	2
		913000-501	COVER, Inspection	2
33		2243-1	COVER, Inspection	4
		2327-1	COVER, Inspection	4
		913011-501	COVER, Inspection	4
34		2315-1	COVER, Inspection	2
		2315-5	COVER, Inspection	2
		2327-1	COVER, Inspection	2
		913011-501	COVER, Inspection	2
35		2243-1	COVER, Inspection	2
		2315-1	COVER, Inspection	2
		2327-1	COVER, Inspection	2
		913011-501	COVER, Inspection	2



Fig.	Index Parts No.	Description	Units Assy.
36	2243-3	COVER, Inspection	4
	2327-1	COVER, Inspection	4
	913011-501	COVER, Inspection	4
37	2243-3	COVER, Inspection	2
	2315-3	COVER, Inspection	2
	2327-1	COVER, Inspection	2
	913011-501	COVER, Inspection	2
38	2272-9	SKIN, Left	1
	2272-10	SKIN, Right	1
39	2262-7	DOUBLER, Load Transfer	1
	2262-8	DOUBLER, Load Transfer	1
40	8517	PITOT, Standard	1

FIG. 4 - WING, SCUPPER BOX & TANK VENT DETAIL



M-20E

M-20B,C,D



Fig.	Index	Parts No.	Description	Units Assy.
			WING, SCUPPER BOX & TANK VENT DETAIL, M-20B, C & D	
4	1	2231-1	BOX ASSY., Left Scupper	1
		2231-2	BOX ASSY., Right Scupper	1
	2	ESNA22NAIK-02	NUT	23
	3	2231-7	STAMPING ASSY., Left Scupper	1
		2231-8	STAMPING ASSY., Right Scupper	1
	4	2306	VENT HOSE	1
	5	4002N	GROMLET	1
		R4G	RING, Snap	1
		244-16	RECEPTACLE	1
		4002-6	STUD	1
	6	2231-9	LID, Scupper Box	1
	7	5010	CAP, Fuel Tank	1
	8	2231-21	HINGE, Scupper Box Lid	1
	9	2231-13	SPACER	1
	10	2231-17	SPACER	1
	11	2231-11	PLATE	1
	12	2238-1	DRAIN & VENT ASSY., Left	1
		2238-2	DRAIN & VENT ASSY., Right	1
			WING, SCUPPER BOX & TANK VENT DETAIL, M-20E	
	13	FC-147-100	CAP, Swiss Electro	1
	14	610036-9	SPACER	1
	15	610036-11	DOUBLER	1
	16	ESNA22NAIK-02	NUT	22
	17	610036-3	PLATE	1
	18	210098-501	TANK VENT ASSY., Left	1
		210098-502	TANK VENT ASSY., Right	1

FIG. 5 - WING, AILERON ASSY.

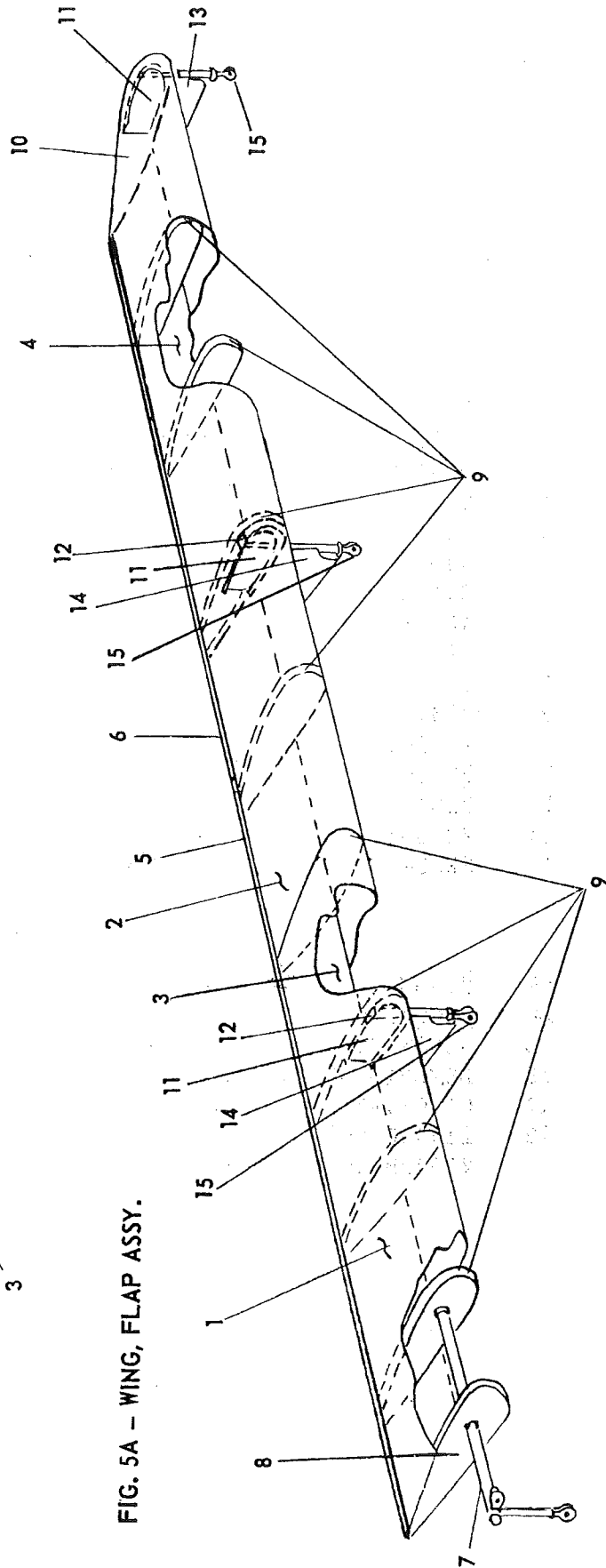
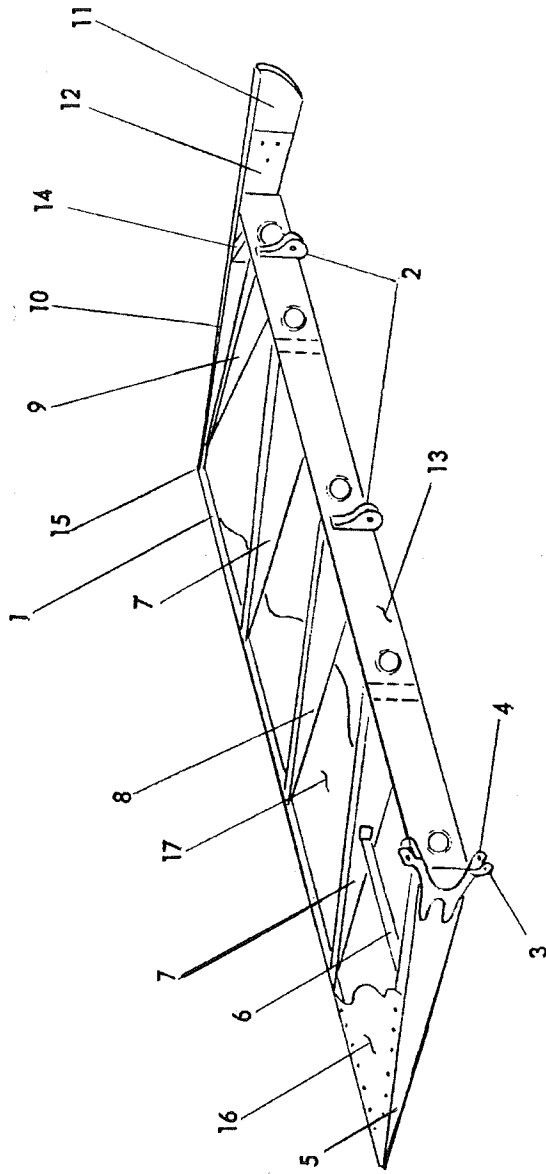


FIG. 5A - WING, FLAP ASSY.



Fig.	Index	Parts No.	Description	Units Assy.
		2200-1	AILERON ASSEMBLY, Left	1
		2200-2	AILERON ASSEMBLY, Right	1
5	1	2200-11	Z STRIP	2
	2	2175	BRACKET, Hinge	2
		AN 4-12A	BOLT	2
		AN 960-416	WASHER	2
		AN 365-428	NUT	2
	3	2177-7	BRACKET, Hinge, Left	1
		AN 4-11A	BOLT	1
		AN 960-416L	WASHER	1
		AN 365-428	NUT	1
		2177-8	BRACKET, Hinge, Right	1
		AN 4-11A	BOLT	1
		AN 960-416L	WASHER	1
		AN 365-428	NUT	1
	4	2178-7	BRACKET, Hinge, Left	1
		2178-8	BRACKET, Hinge, Right	1
	5	2297-7	RIB, Left	1
		2297-8	RIB, Right	1
	6	2290	SPAR - AUX	1
	7	2297-9	RIB, Left	1
		2297-10	RIB, Right	1
	8	2291-7	RIB, Left	1
		2291-8	RIB, Right	1
	9	2293-1	RIB, Left	1
		2293-2	RIB, Right	1
	10	2292-7	RIB, Left	1
		2292-8	RIB, Right	1
	11	2296-7	WEIGHT, Left	1
		2296-8	WEIGHT, Right	1
		2296-1	WEIGHT, Left	1
		2296-2	WEIGHT, Right	1
	12	2295-7	BRACKET BALANCE, Left.	1
		2295-8	BRACKET BALANCE, Right	1
	13	2294-1	SPAR ASSEMBLY, Left	1
		2294-2	SPAR ASSEMBLY, Right	1
	14	2289-7	RIB, Left	1
		2289-8	RIB, Right	1
	15	2200-13	BLOCK	2
	16	2200-7	SKIN, Upper, Left	1
		2200-8	SKIN, Upper, Right	1
	17	2200-9	SKIN, Lower, Left	1
		2200-10	SKIN, Lower, Right	1



Fig.	Index	Parts No.	Description	Units Assy.
		2248-1	FLAP ASSEMBLY, Left	1
		2248-3	FLAP ASSEMBLY, Left	1
		2248-2	FLAP ASSEMBLY, Right	1
		2248-4	FLAP ASSEMBLY, Right	1
5A	1	2248-7	SKIN, Inboard, Upper, Left	1
		2248-8	SKIN, Inboard, Upper, Right	1
	2	2248-19	SKIN, Outboard, Upper, Left	1
		2248-9	SKIN, Center, Upper, Left	1
		2248-20	SKIN, Outboard, Upper, Right	1
		2248-10	SKIN, Center, Upper, Right	1
	3	2248-13	SKIN, Inboard, Lower, Left	1
		2248-14	SKIN, Inboard, Lower, Right	1
		2248-12	SKIN, Inboard, Lower, Right	1
		2248-15	SKIN, Center, Lower, Left	1
	4	2248-17	SKIN, Outboard, Lower, Left	1
		2248-16	SKIN, Center, Lower, Right	1
		2248-18	SKIN, Outboard, Lower, Right	1
	5	2248-21	Z STRIP, Left	1
		2248-24	Z STRIP, Right	1
	6	2248-23	Z STRIP, Left	1
		2248-28	Z STRIP, Right	1
	7	2160-1	TUBE, Torque, Left	1
		2160-3	TUBE, Torque, Left	1
		2160-2	TUBE, Torque, Right	1
		2160-4	TUBE, Torque, Right	1
	8	2245-9	RIB, Right	1
		2245-8	RIB, Left	1
	9	2245-7	RIB, Left	8
		2245-8	RIB, Right	8
	10	2246-7	RIB, Left	1
		2246-8	RIB, Right	1
	11	2247-7	RIB, Left	3
		2247-8	RIB, Right	3
	12	2164	BLOCK, Hinge	3
	13	2269-7	FAIRING	1
		2269-8	FAIRING	1
	14	2268	FAIRING	2
	15	M34-14	BEARING, Heim	4
		AN 3-10A	BOLT	4
		AN 960-10L	WASHER	4
		AN 960-10	WASHER	4
		AN 365-1032	NUT	4

FIG. 6 - WING, FUSELAGE TO WING MATING

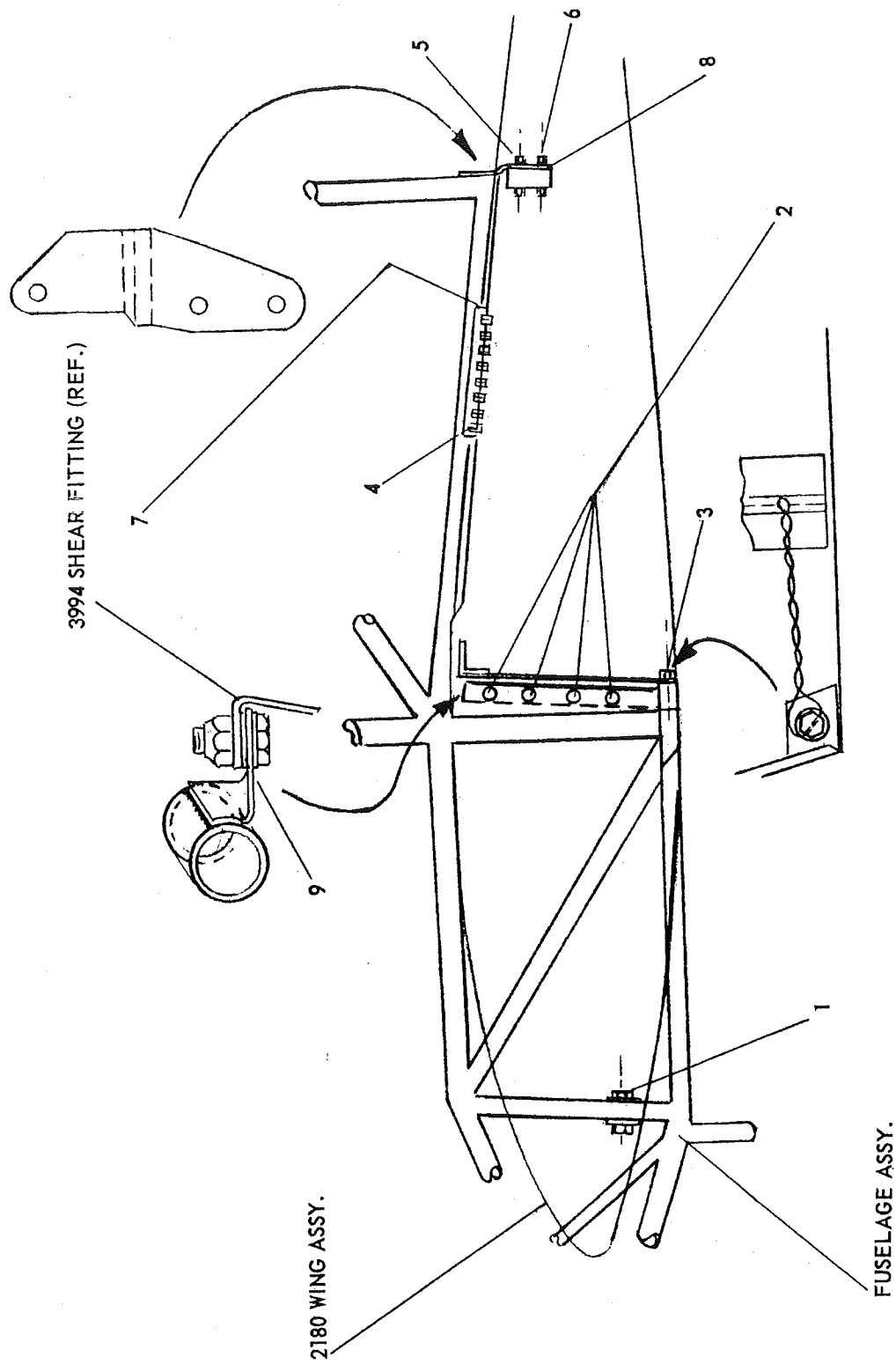




Fig.	Index	Parts No.	Description	Units Assy.
		8585	WING, FUSELAGE TO WING MATING	
6	1	AN 6-16A	BOLT	2
		AN 363-624	NUT	2
		AN 960-616	WASHER	2
	2	AN 515-8R-10	SCREW	8
		AN 365-832	NUT	8
		AN 960-8	WASHER	8
	3	AN 7H-16A	BOLT	2
		AN 960-716L	WASHER	2
	4	AN 3-4A	BOLT	16
		AN 363-1032	NUT	16
		AN 960-10	WASHER	16
	5	AN 4-17A	BOLT	2
		AN 363-428	NUT	2
		AN 960-416	WASHER	2
	6	AN 4-15A	BOLT	2
		AN 363-428	NUT	2
		AN 960-416	WASHER	2
	7	8584-13-15-17	SHIM, As Needed Up To .073 Max.	
	8	8584-7-9-11	SHIM, As Needed Up To .050 Max.	
	9	3990	SHIM	8

FIG. 7 - FUSELAGE, TUBULAR STRUCTURE

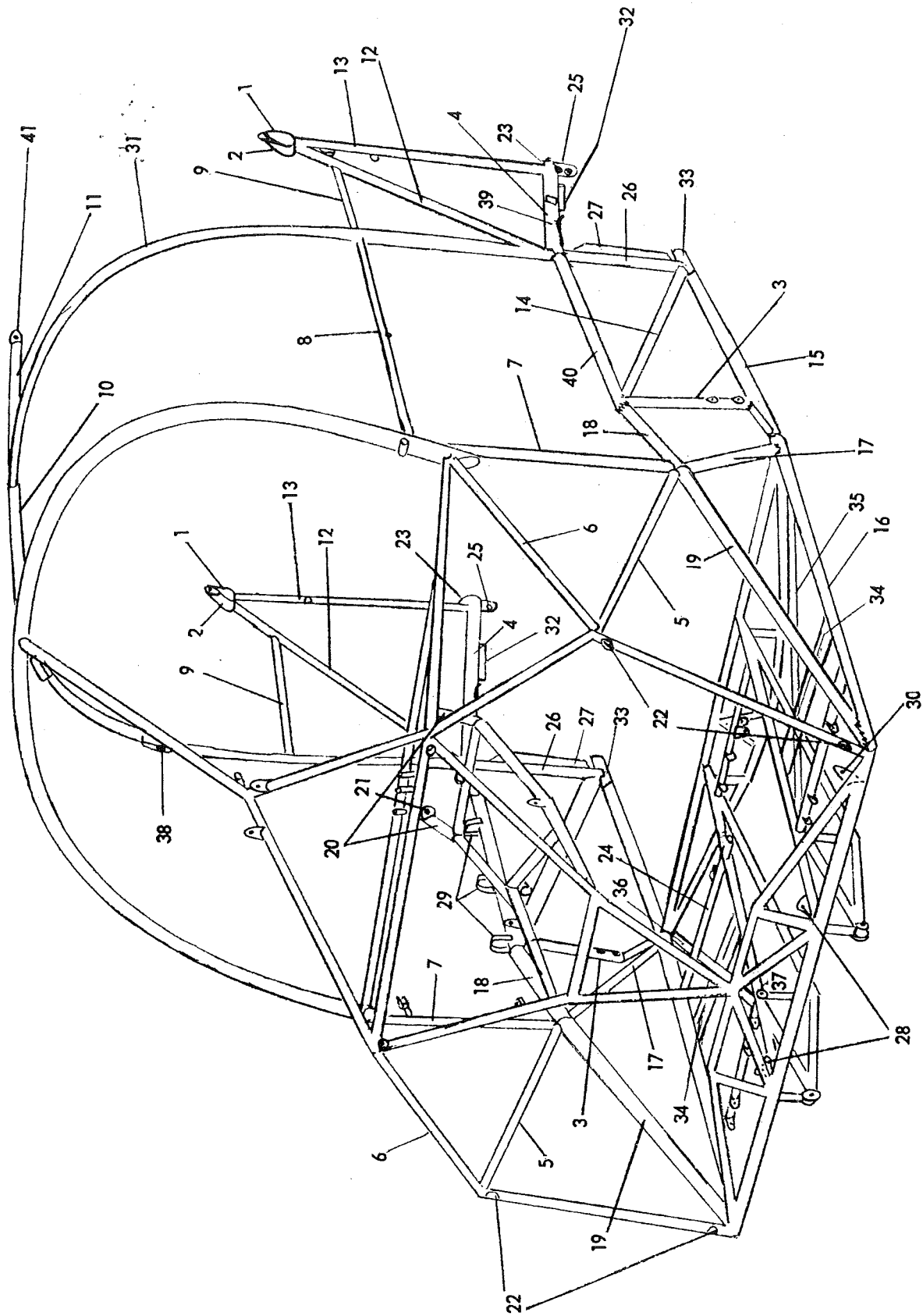




Fig.	Index	Parts No.	Description	Units Assy.
		3611	FUSELAGE, TUBULAR STRUCTURE	
7	1	3020	PLATE	2
	2	3023	CHANNEL	2
	3	3611-31	TUBE, Fuselage	2
	4	3611-1	TUBE, Fuselage	1
		3611-2	TUBE, Fuselage	1
	5	3283-3	TUBE, Fuselage	1
		3283-4	TUBE, Fuselage	1
	6	3283-5	TUBE, Fuselage	2
	7	3283-7	TUBE, Fuselage	1
		3283-8	TUBE, Fuselage	1
	8	3283-9	TUBE, Fuselage	1
	9	3283-10	TUBE, Fuselage	2
	10	3611-11	TUBE, Fuselage	1
	11	3611-12	TUBE, Fuselage	1
	12	3611-13	TUBE, Fuselage	2
	13	3611-14	TUBE, Fuselage	2
	14	3611-15	TUBE, Fuselage	2
	15	3611-18	TUBE, Fuselage	2
	16	3283-19	TUBE, Fuselage	2
	17	3611-20	TUBE, Fuselage	2
	18	3283-21	TUBE, Fuselage	2
	19	3283-22	TUBE, Fuselage	2
	20	3283-23	TUBE, Fuselage	2
	21	3283-24	TUBE, Fuselage	2
	22	3271-13	BUSHING	6
	23	3283-26	TUBE, Fuselage	3
	24	3283-27	TUBE, Fuselage	1
	25	3902-7	PLATE	1
		3902-8	PLATE	1
	26	3611-32	TUBE, Fuselage	2
	27	3904-7	FITTING SHEAR	1
		3904-8	FITTING SHEAR	1
		3993-7	FITTING SHEAR	1
		3993-8	FITTING SHEAR	1
	28	3488	LUG	2
		3025	LUG	2
	29	3051	BRACKET	3
	30	7062-1	LUG	1
		7062-2	LUG	1
	31	3132	TUBE	1
	32	3903-7	FITTING	1
		3903-8	FITTING	1

Fig.	Index	Parts No.	Description	Units Assy.
33		3901-7	FITTING, Tension	1
		3901-8	FITTING, Tension	1
34		3998-1	BRACKET	1
		3998-2	BRACKET	1
35		3611-35	TUBE	1
36		3611-36	TUBE	1
37		3611-34	TUBE	1
38		3331	BRACKET	3
39		3905	PLATE	2
40		3283-17	TUBE, Fuselage	2
41		3022	PLATE	1

FIG. 8 - FUSELAGE, TUBULAR SUB-ASSEMBLIES

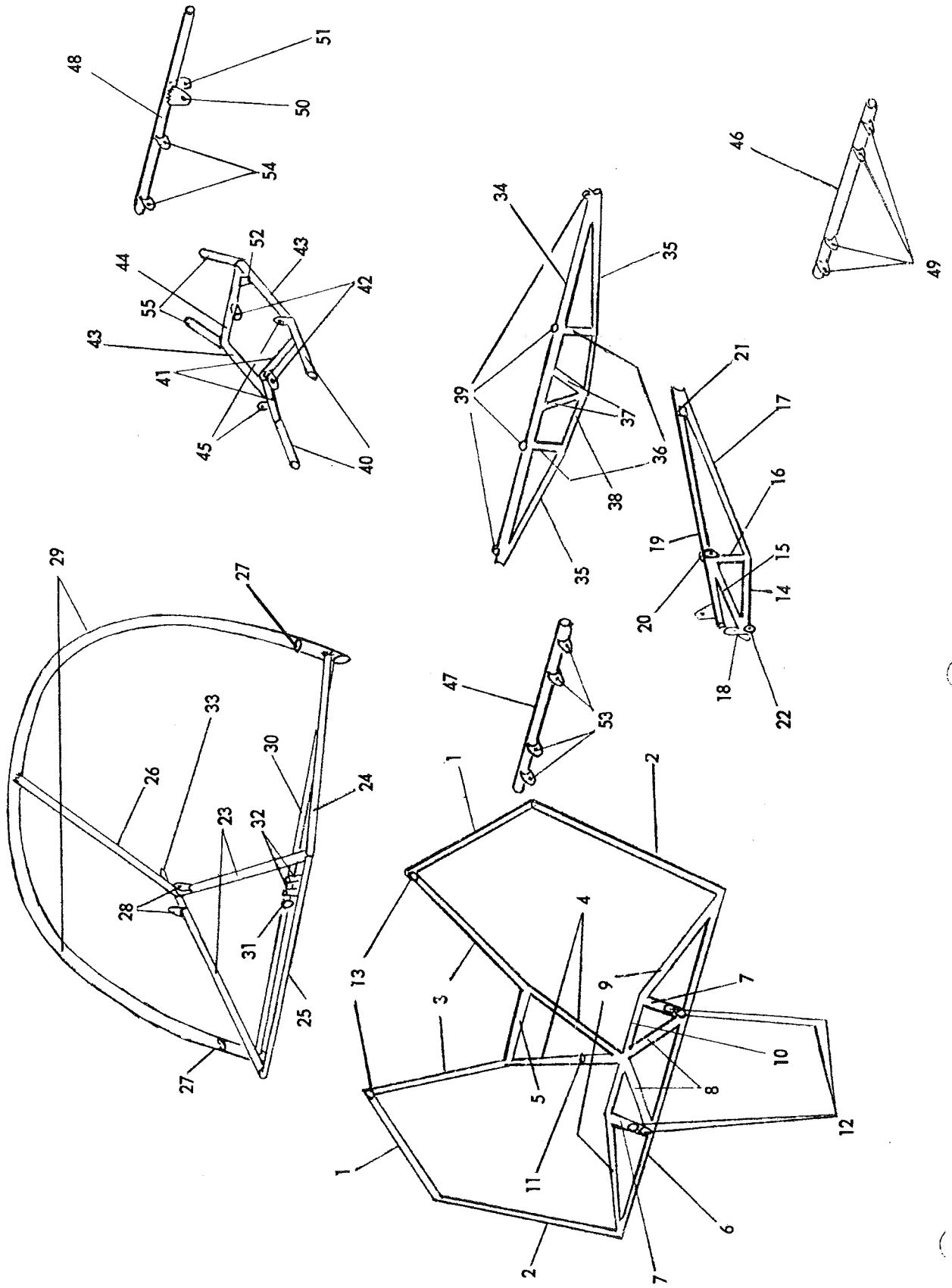




Fig.	Index	Parts No.	Description	Units Assy.
			FUSELAGE, TUBULAR SUB-ASSEMBLIES	
		3271	FIREWALL FRAME SUBASSEMBLY	1
8	1	3271-1	STEEL TUBE	2
	2	3271-2	STEEL TUBE	2
	3	3271-3	STEEL TUBE	2
	4	3271-4	STEEL TUBE	2
	5	3271-5	STEEL TUBE	1
	6	3271-6	STEEL TUBE	1
	7	3271-7	STEEL TUBE	2
	8	3271-8	STEEL TUBE	2
	9	3271-9	STEEL TUBE	2
	10	3271-10	STEEL TUBE	1
	11	3271-12	BUSHING	1
	12	3271-13	BUSHING	4
	13	3271-14	BUSHING	2
		3272-1	TRUSS SUBASSEMBLY, Left Nose Gear	1
		3272-2	TRUSS SUBASSEMBLY, Right Nose Gear	1
	14	3272-3	STEEL TUBE	2
	15	3272-4	STEEL TUBE	2
	16	3272-5	STEEL TUBE	2
	17	3272-6	STEEL TUBE	2
	18	3272-7	STEEL TUBE	2
	19	3272-8	STEEL TUBE	2
	20	3024	BUSHING	2
	21	3056	BUSHING	2
	22	3021	BUSHING	2
		3274	WINDSHIELD FRAME SUBASSEMBLY	1
	23	3274-1	STEEL TUBE	2
	24	3274-2	STEEL TUBE	2
	25	3274-3	STEEL TUBE	2
	26	3274-4	STEEL TUBE	1
	27	3274-5	STEEL TUBE	2
	28	722	LUG	2
	29	3131	STEEL TUBE - CABIN BOW	2
	30	3275-1	TUBE, Cross Member	1
	31	3275-2	BUSHING, Cross Member	1
	32	3275-3	BUSHING, Cross Member	2
	33	7068	LUG	1
		3276	LOWER TRUSS SUBASSEMBLY	1
	34	3276-1	STEEL TUBE	1
	35	3276-2	STEEL TUBE	2
	36	3276-3	STEEL TUBE	2
	37	3276-4	STEEL TUBE	2

Fig.	Index	Parts No.	Description	Units Assy.
8	38	3276-5	STEEL TUBE	1
	39	3276-6	BUSHING	4
		3277	CONTROL SUPPORT SUBASSEMBLY	1
	40	3277-1	STEEL TUBE	2
	41	3277-2	STEEL TUBE	2
	42	3277-3	BUSHING	2
	43	3277-4	STEEL TUBE	2
	44	3277-7	STEEL TUBE	1
	45	7137	LUG	2
	46	3279-11	RUDDER PEDAL BRACKET, Left	1
	47	3279-22	RUDDER PEDAL BRACKET, Right	1
	48	3279-3	FUSELAGE CROSS MEMBER	1
	49	7138	LUG	4
	50	7069	LUG	1
	51	7343-9	LUG	1
	52	8240	COWL FLAP CONTROL BRACKET	1
	53	7138	LUG	4
	54	7061	LUG	2
	55	3277-5	STEEL TUBE	2

FIG. 9 - FUSELAGE, FORWARD SKINS
AND FIREWALL DETAIL

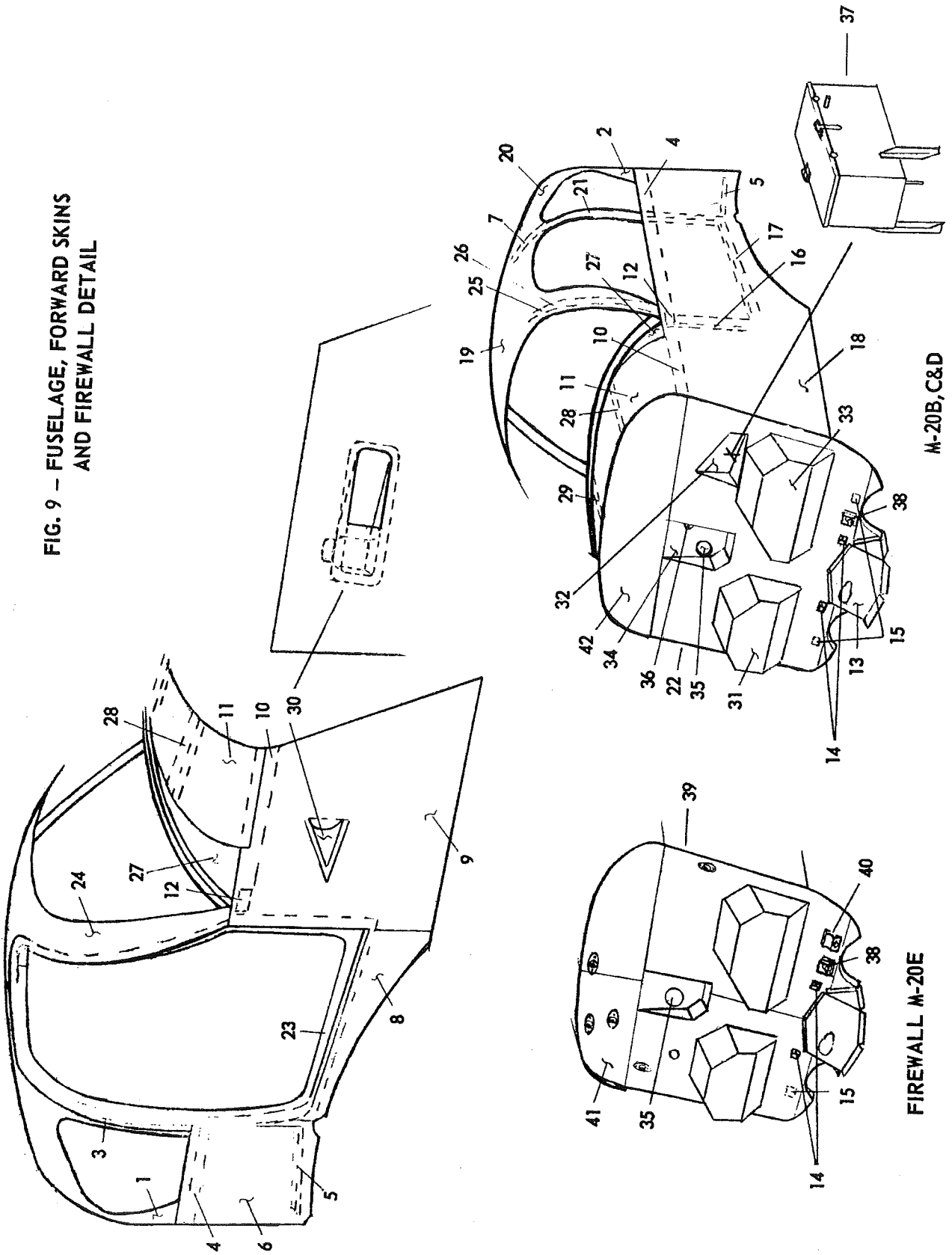




Fig.	Index	Parts No.	Description	Units Assy.
			FUSELAGE, FORWARD SKINS & FIREWALL DETAIL	
9	1	3219-1	SKIN, Left Rear Window	1
	2	3219-2	SKIN, Right Rear Window	1
	3	3374	POST, Center, Right Side	1
	4	3220-5	CHANNEL	2
	5	3220-3	CHANNEL	2
	6	3992	SKIN, Right Rear	1
	7	3222-1	BULKHEAD	1
	8	3376	SKIN, Under Door	1
	9	3388	SKIN, Front Side	1
10		3237-1	CHANNEL, Left	1
		3237-2	CHANNEL, Right	1
11		3251-1	PANEL, Access, Left	1
		3251-2	PANEL, Access, Right	1
12		3246-1	BRACKET, Left	1
		3246-2	BRACKET, Right	1
13		6197-5	PLATES, Firewall	1
14		3040	BLOCK, Engine Mount	2
		AN 3-17A	BOLT	4
		AN 960-10	WASHER	4
		AN 365-1032	NUT	4
15		6237	PLATE, Firewall Support	2
16		3259	CHANNEL, Left Side	1
17		3228	CHANNEL, Upper and Lower, Left Side	2
18		3991	SKIN, Left Side	1
19		3038	SKIN, Top Front	1
20		3039	SKIN, Top Rear	1
21		3227	POST, Left Center	1
22		6010	FIREWALL ASSEMBLY	1
		6010-1	FIREWALL ASSEMBLY	1
		6010-3	FIREWALL ASSEMBLY	1
		600140-1	FIREWALL ASSEMBLY	1
23		3311	FRAME, Cabin Door	1
24		3255-1	POST, Left Side	1
		3255-2	POST, Right Side	1
25		3253-1	ANGLE, Inner Post	1
26		3254	ANGLE, Outer Post	1
27		3380-1	COWLING, Left Windshield	1
		3380-1	COWLING, Right Windshield	1
28		3524	CHANNEL, Skin Stiffener	2
29		3212	CHANNEL, Center	1

Fig.	Index	Parts No.	Description	Units Assy.
30		3215	SCOOP, Intake	1
		640040	FLUSH SCOOP, Intake	1
31		6021-2	FOOTWELL, Firewall, Right	1
32		6420	WELL, Battery Box	1
33		6219	FOOTWELL, Firewall, Left	1
34		6008	BOX, Prop Governor	1
35		6259	PLATE, Access	1
36		772	GROMMET, Firewall	1
37		8222	BOX ASSEMBLY, Battery	1
		8222-1	LID, Battery Box	1
		8225-1	LEG, Left	1
		8225-2	LEG, Right	1
38		600102-3	BOX, Fuel Fitting Standoff	1
39		600139-501	FIREWALL ASSY.	1
40		610032-3	BRACKET, Electric Fuel Pump	1
41		600139-501	FIREWALL	1
42		600139-1	FIREWALL	1

FIG. 10 - FUSELAGE, BOTTOM SKINS AND BULKHEADS

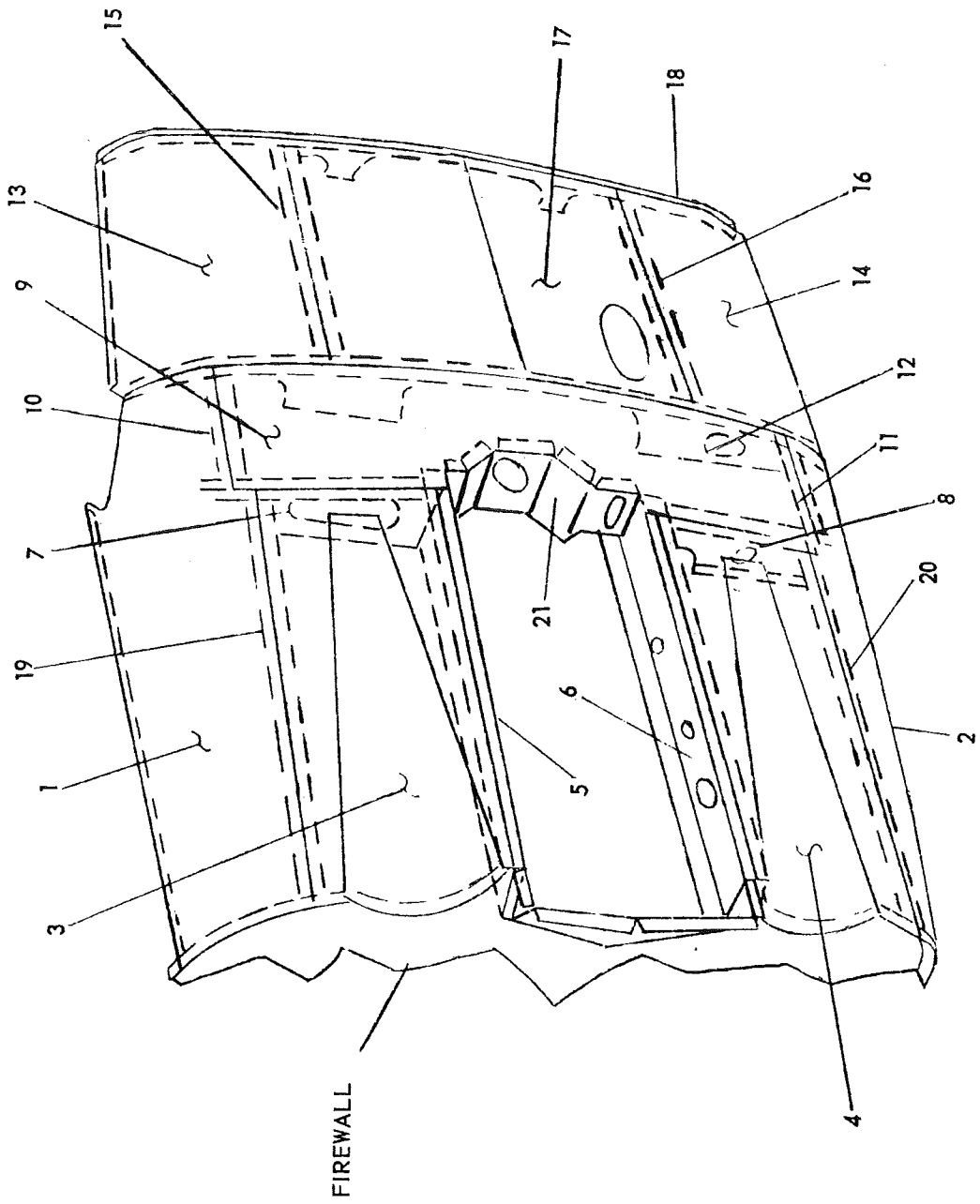




Fig.	Index	Parts No.	Description	Units Assy.
FUSELAGE, BOTTOM SKINS AND BULKHEADS				
10	1	3037-1	SIDE SKIN, Left Front	1
	2	3037-2	SIDE SKIN, Right Front	1
	3	3150-1	CAVITY, Left Exhaust	1
	4	3150-2	CAVITY, Right Exhaust	1
	5	3378-7	STIFFENER, Wheel Well, Left Side	1
	6	3378-8	STIFFENER, Wheel Well, Right Side	1
	7	3185-4	BULKHEAD, Sta. 23.5, Left	1
		3185-17	BULKHEAD, Sta. 23.5, Right	1
	8	3185-6	BULKHEAD, Sta. 23.5, Right	1
	9	3011-501	PANEL, Removable	1
		3011-7	PANEL, Removable	1
	10	3996-7	STRINGER, Left Skin	1
	11	3996-8	STRINGER, Right Skin	1
	12	3300-3	BULKHEAD, Sta. 33.0	1
	13	2277-9	SKIN, Left	1
	14	2277-10	SKIN, Right	1
	15	3976-7	STRINGER, Left	1
	16	3976-8	STRINGER, Right	1
	17	3974-501	FUSELAGE, Middle Bottom Fairing	1
	18	3973-3	BULKHEAD, Sta. 58.0	1
	19	3995-7	STRINGER, Left	1
	20	3995-8	STRINGER, Right	1
	21	3377	WHEEL WELL, End Frame	1

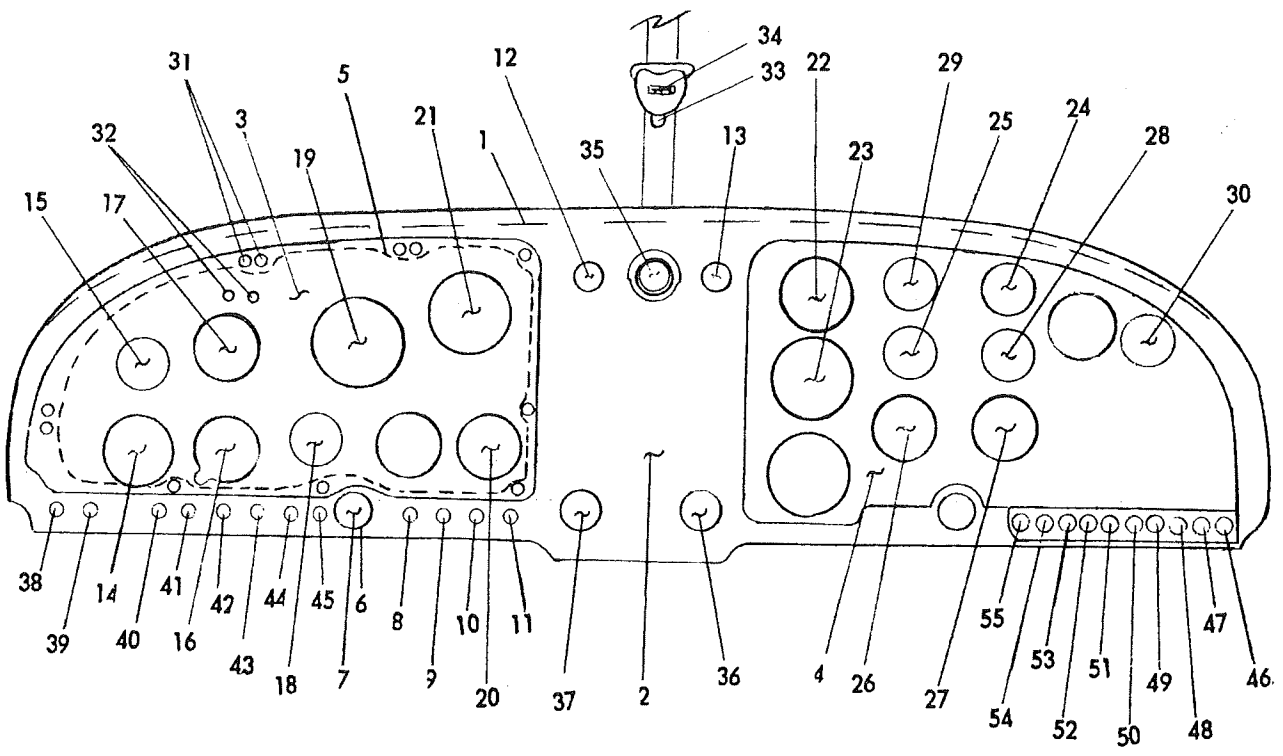


FIG. 11 - FUSELAGE, INSTRUMENT PANEL DETAIL, M-20B (1701-1939)

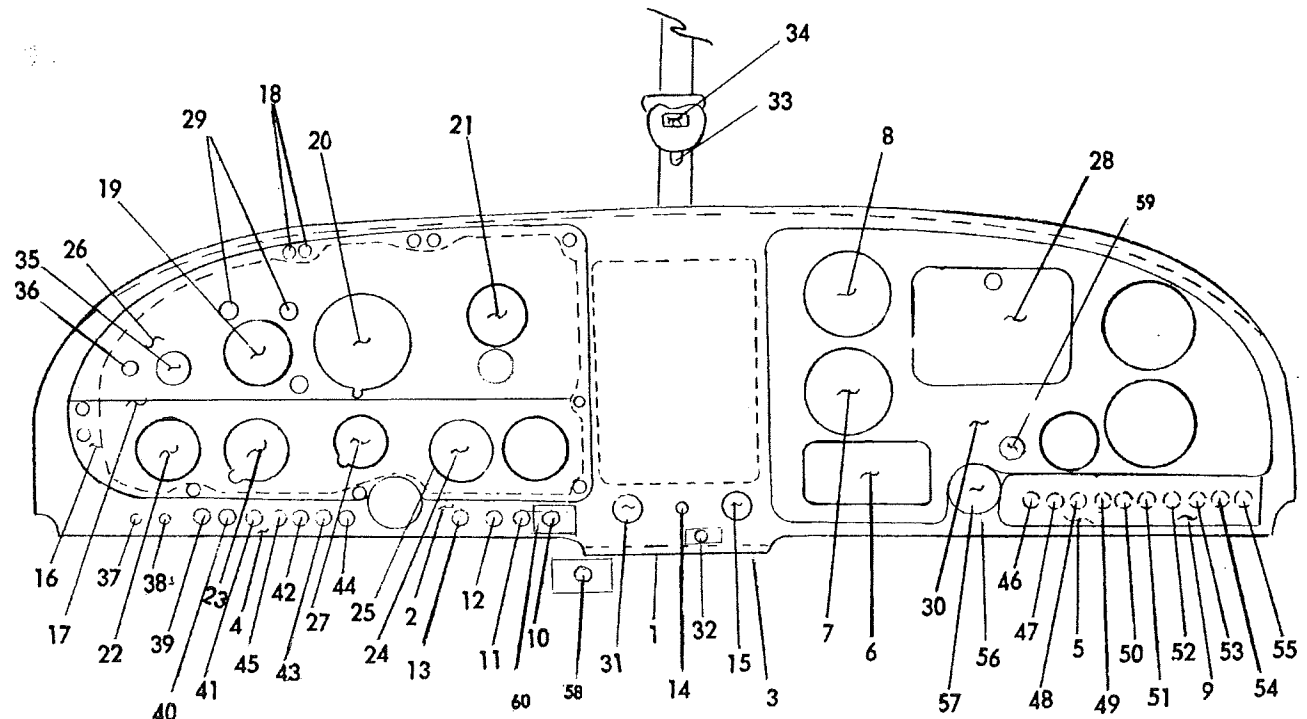


FIG. 11A - FUSELAGE, INSTRUMENT PANEL DETAIL, M-20C&D (1940-2622; 101-200D)

FIG. 11B - FUSELAGE, INSTRUMENT PANEL DETAIL, M-20C,D&E (2623C & On; 201D & On; 101E & On)



Fig.	Index	Parts No.	Description	Units Assy.
		3952	FUSELAGE, INSTRUMENT PANEL DETAIL, M-20B	1
11	1	3393	PANEL, Assembly, Main	1
	2	8519-7	COVER, (Engraved) Main Panel	1
		8210-9	COVER, Royalite Main Panel	1
	3	8519-9	PANEL, (Engraved) Flight	1
		8210-8	PANEL, Royalite Flight	1
	4	8519-17	PANEL, (Engraved) Engine	1
		8210-2	PANEL, Royalite Engine	1
	5	3393-8	PANEL, Base Flight	1
	6	0411225	SOCKET	4
	7	7030	BALL, Socket	2
	8	64-032-140	CONTROL, Park Brake	1
	9	64-032-144	CONTROL, Cabin Heater	1
	10	64-032-145	CONTROL, Cabin Vent	1
	11	64-032-143	CONTROL, Carburetor Air	1
	12	64-032-139	CONTROL, Mixture	1
	13	64-032-138	CONTROL, Master Switch	1
	14	AW 2 3/4 16X	INDICATOR, Airspeed	1
	15	0-10	GAUGE, Suction	1
	16	671BK-900C	INDICATOR, Altimeter	1
	17	B-1	INDICATOR, Turn and Bank	1
	18	A-11	CLOCK, 8 Day	1
	19	JH 6500	GYRO, Artificial Horizon	1
	20	1636-6A-A1	INDICATOR, Rate of Climb	1
	21	JH 5500	GYRO, Directional	1
	22	1548433	TACHOMETER	1
	23	1925-1M-A1	GAUGE, Manifold Pressure	1
	24	840	GAUGE, Voltmeter	1
	25	1508360	GAUGE, Fuel Pressure	1
	26	1508359	GAUGE, Oil Pressure	1
	27	1513106	GAUGE, Oil Temp	1
	28	49B522D	GAUGE, Cylinder Head Temp	1
	29	1518865	GAUGE, Fuel	1
	30	1502373-50	AMMETER	1
	31	J-6984-8	MOUNT, Lord Shock	11
	32	VM911M-3A	LIGHT, Green Warning	1
		VM911M-2A	LIGHT, Red Warning	1
	33	8393	BRACKET, Compass	1
	34	C2350DL4VF	COMPASS	1
	35	10-126690-8	SWITCH, Magneto	1
	36	345-1-10	CONTROL, Prop	1
	37	345-1-9	CONTROL, Throttle	1
	38	C-11	HEADPHONE JACK	1

Fig.	Index	Parts No.	Description	Units Assy.
11	39	C-12B	MICROPHONE JACK	1
	40	AN 3021-3	SWITCH, Fuel Gauge	1
	41	AN 3021-2	SWITCH, Electric Pump	1
	42	AN 3021-2	SWITCH, Landing Light	1
	43	AN 3021-2	SWITCH, Navigation Light	1
	44	AN 3021-2	SWITCH, Turn and Bank	1
	45	D7270-5-10	SWITCH, Beacon	1
		D7270-5-10	SWITCH, Heated Pitot	1
	46	PSM-5N	BREAKER, Stall Warner	1
	47	PSM-5N	BREAKER, Gear Warner	1
	48	PSM-5N	BREAKER, Instrument Light	1
	49	PSM-2N	BREAKER, Turn and Bank	1
	50	PSM-10N	BREAKER, Radio	1
	51	PSM-10N	BREAKER, Navigation Light	1
		PSM-10N	BREAKER, Dome Light	1
	52	PSM-5N	BREAKER, Fuel Gauge	1
	53	PSM-5N	BREAKER, Fuel Pump	1
	54	2350	BREAKER, Generator	1
	55	PSM-35N	BREAKER, Landing Light	1



Fig.	Index	Parts No.	Description	Units Assy.
		8550	FUSELAGE, INSTRUMENT PANEL DETAIL, M-20C & D (1940-2622; 101-200D)	1
11A	1	8686-1	MAIN PANEL ASSEMBLY	1
	2	8549-1	BASE PANEL	1
	3	8578-1	COVER, (Royalite) Main Panel	1
	4	8705-7	DECAL, Main Panel	1
	5	8705-9	DECAL, Circuit Breaker	1
	6	660013-1	CLUSTER, Garwin Engine	1
	7	660012-1	GAUGE, Manifold Pressure & Fuel Pressure	1
	8	1548433	TACHOMETER	1
	9	8667-1	COVER, Circuit Breaker	1
	10	H & E 1001-6	CONTROL, Carburetor Air	1
	11	H & E 1000-8	CONTROL, Cabin Vent	1
	12	H & E 1000-7	CONTROL, Cabin Heater	1
	13	H & E 1000-3	CONTROL, Park Brake	1
	14	H & E 1001-2	CONTROL, Mixture	1
	15	H & E 1003-451	CONTROL, Propeller	1
	16	8549-3	FLIGHT PANEL ASSEMBLY	1
	17	8578-9	COVER, Flight Panel	1
	18	J-6984-8	MOUNT, Lord Shock	11
		8-32	NUT CAP	20
	19	820006-1	INDICATOR, Airspeed	1
	20	820007-1	GYRO, Artificial Horizon	1
	21	820008-1	GYRO, Directional	1
	22	820009-501	INDICATOR, Rate of Climb	1
	23	820010-505	INDICATOR, Altimeter	1
	24	820011-1	INDICATOR, Turn and Bank	1
	25	8722	SPACER, Turn and Bank	1
	26	8705-11	DECAL, Flight Panel	1
	27	A 11-90	CLOCK	1
	28	8691-3	GLOVE BOX ASSEMBLY	1
		8691-1	GLOVE BOX DOOR ASSEMBLY	1
	29	8547-54	LIGHT, Green Warning	1
		8547-57	LIGHT, Red Warning	1
	30	8578-11	COVER, Royalite Engine Panel	1
		8578-25 (Optional for use of glove box installation)	COVER, Engine Panel	1
	31	H & E 1002-401	CONTROL, Throttle	1
	32	H & E 1005	CONTROL, Flap Release	1
	33	8393	BRACKET, Compass	1
	34	C2350DL4VF	COMPASS	1
	35	10-126690-1	SWITCH, Magneto	1

Fig.	Index	Parts No.	Description	Units Assy.
11A	36	AN 3027-2	SWITCH, Master	1
	37	C-11	HEADPHONE JACK	1
	38	C-12B	MICROPHONE JACK	1
	39	AN 3021-2	SWITCH, Switch on-off	1
	40	AN 3021-2	SWITCH, Switch on-off	1
	41	D7270-5-5	SWITCH, Electric Pump	1
	42	D7270-5-10	SWITCH, Beacon, Rotating	1
	43	D7270-5-5	SWITCH, Navigation Light	1
	44	D7270-5-20	SWITCH, Landing Light	1
	45	D7270-5-10	SWITCH, Heated Pitot	1
	46	109-250-101	BREAKER, Auxilliary Buss Bar	1
	47	109-250-101	BREAKER, Generator	1
	48	PSM-10N	BREAKER, Cigarette Lighter & Ignition	1
	49	PSM-5N	BREAKER, Engine Gauge & Warning Light	1
	50	PSM-5N	BREAKER, Instrument & Dome Light	1
	51	PSM-2N	BREAKER, Turn and Bank	1
	52	PSM-2N	BREAKER, ADF	1
	53	PSM-10N	BREAKER, Radio	1
	54	PSM-5N	BREAKER, Stall Warner	1
	55	PSM-5N	BREAKER, Gear Warning	1
	56	710013-3	SOCKET	4
	57	7030	BALL, Socket	2
	58	HE1001-9	CONTROL, Cowl Flap	1
	59	BK4-2272	CIGARETTE LIGHTER	1



Fig.	Index	Parts No.	Description	Units Assy.
		8550	FUSELAGE, INSTRUMENT PANEL DETAIL, M-20C & D (1940-2622; 101-200D)	1
11A	1	8686-1	MAIN PANEL ASSEMBLY	1
	2	8549-1	BASE PANEL	1
	3	8578-1	COVER, (Royalite) Main Panel	1
	4	8705-7	DECAL, Main Panel	1
	5	8705-9	DECAL, Circuit Breaker	1
	6	660013-1	CLUSTER, Garwin Engine	1
	7	660012-1	GAUGE, Manifold Pressure & Fuel Pressure	1
	8	1548433	TACHOMETER	1
	9	8667-1	COVER, Circuit Breaker	1
	10	H & E 1001-6	CONTROL, Carburetor Air	1
	11	H & E 1000-8	CONTROL, Cabin Vent	1
	12	H & E 1000-7	CONTROL, Cabin Heater	1
	13	H & E 1000-3	CONTROL, Park Brake	1
	14	H & E 1001-2	CONTROL, Mixture	1
	15	H & E 1003-451	CONTROL, Propeller	1
	16	8549-3	FLIGHT PANEL ASSEMBLY	1
	17	8578-9	COVER, Flight Panel	1
	18	J-6984-8	MOUNT, Lord Shock	11
		8-32	NUT CAP	20
	19	820006-1	INDICATOR, Airspeed	1
	20	820007-1	GYRO, Artificial Horizon	1
	21	820008-1	GYRO, Directional	1
	22	820009-501	INDICATOR, Rate of Climb	1
	23	820010-505	INDICATOR, Altimeter	1
	24	820011-1	INDICATOR, Turn and Bank	1
	25	8722	SPACER, Turn and Bank	1
	26	8705-11	DECAL, Flight Panel	1
	27	A 11-90	CLOCK	1
	28	8691-3	GLOVE BOX ASSEMBLY	1
		8691-1	GLOVE BOX DOOR ASSEMBLY	1
	29	8547-54	LIGHT, Green Warning	1
		8547-57	LIGHT, Red Warning	1
	30	8578-11	COVER, Royalite Engine Panel	1
		8578-25 (Optional for use of glove box installation)	COVER, Engine Panel	1
	31	H & E 1002-401	CONTROL, Throttle	1
	32	H & E 1005	CONTROL, Flap Release	1
	33	8393	BRACKET, Compass	1
	34	C2350DL4VF	COMPASS	1
	35	10-126690-1	SWITCH, Magneto	1

Fig.	Index	Parts No.	Description	Units Assy.
11A	36	AN 3027-2	SWITCH, Master	1
	37	C-11	HEADPHONE JACK	1
	38	C-12B	MICROPHONE JACK	1
	39	AN 3021-2	SWITCH, Switch on-off	1
	40	AN 3021-2	SWITCH, Switch on-off	1
	41	D7270-5-5	SWITCH, Electric Pump	1
	42	D7270-5-10	SWITCH, Beacon, Rotating	1
	43	D7270-5-5	SWITCH, Navigation Light	1
	44	D7270-5-20	SWITCH, Landing Light	1
	45	D7270-5-10	SWITCH, Heated Pitot	1
	46	109-250-101	BREAKER, Auxiliary Buss Bar	1
	47	109-250-101	BREAKER, Generator	1
	48	PSM-10N	BREAKER, Cigarette Lighter & Ignition	1
	49	PSM-5N	BREAKER, Engine Gauge & Warning Light	1
	50	PSM-5N	BREAKER, Instrument & Dome Light	1
	51	PSM-2N	BREAKER, Turn and Bank	1
	52	PSM-2N	BREAKER, ADF	1
	53	PSM-10N	BREAKER, Radio	1
	54	PSM-5N	BREAKER, Stall Warner	1
	55	PSM-5N	BREAKER, Gear Warning	1
	56	710013-3	SOCKET	4
	57	7030	BALL, Socket	2
	58	HE1001-9	CONTROL, Cowl Flap	1
	59	BK4-2272	CIGARETTE LIGHTER	1



Fig.	Index	Parts No.	Description	Units Assy.
11B	1	820062-505 820062-507 820062-509	FUSELAGE, INSTRUMENT PANEL DETAIL, M-20C, D & E (2623C & On; 201D & On; 101E & On.) MAIN PANEL ASSY.	1
	2	820001-1	BASE PANEL	1
	3	820063-11	COVER, (Royalite)	1
	4	150015-3 150015-5	PLACARD, Base Panel PLACARD, Base Panel	1 1
	5	820061-1 820061-501 820061-503	COVER, (Royalite) Circuit Breaker COVER, (Royalite) Circuit Breaker COVER, (Royalite) Circuit Breaker	1 1 1
	6	660013-501 660013-503 660057-3 660057-501	CLUSTER, Garwin Engine CLUSTER, Garwin Engine CLUSTER, Garwin Engine CLUSTER, Garwin Engine	1 1 1 1
	7	660063-3 660012-1	GAGE, Manifold Pres. & Fuel Pres. GAGE, Manifold Pres. & Fuel Pres.	1 1
	8	660011-1 660011-3	TACHOMETER TACHOMETER	1 1
	9	820061-1 820061-501 820061-503	COVER, (Royalite), Circuit Breaker COVER, (Royalite) Circuit Breaker COVER, (Royalite) Circuit Breaker	1 1 1
	10	21-006-90	CONTROL, Carburetor Heat	1
	11	653-032-12	CONTROL, Cabin Vent	1
	12	653-032-11	CONTROL, Cabin Heater	1
	13	653-032-10	CONTROL, Park Break	1
	14	21-006-89	CONTROL, Mixture	1
	15	345-001-104	CONTROL, Propeller	1
	16	820001-3	FLIGHT, PANEL ASSY.	1
	17	820064-3 820064-5	COVER, (Royalite) Flight Panel COVER, (Royalite) Flight Panel	1 1
	18	J6984-8 AN935-8 AN340-832	MOUNT, Lord Shock WASHER NUT	1 2 2
	19	820038-3 820006-1	INDICATOR, Airspeed INDICATOR, Air speed	1 1
	20	820007-1	GYRO, Artificial Horizon	1
	21	820008-1	GYRO, Directional	1
	22	820009-501	INDICATOR, Rate of Climb	1
	23	820010-505	INDICATOR, Altimeter	1
	24	820011-1	INDICATOR, Turn & Bank	1
	25	820030-7	SPACER, Turn & Bank	1
	26	820001-3	FLIGHT PANEL ASSY.	1

Fig.	Index	Parts No.	Description	Units Assy.
27		All-90-WRL-ET	CLOCK	1
28		820026	GLOVE BOX ASSY.	1
		820026-501	GLOVE BOX DOOR ASSY.	1
29		VM911-M-3A	WARNING LIGHT, Green	1
		VM911-M-2A	WARNING LIGHT, Red	1
30		820063-7	COVER, (Royalite) Engine Panel	1
		820063-9	COVER, (Royalite) Engine Panel	1
31		253-001-1	CONTROL, Throttle	1
		253-001-2	CONTROL, Throttle	1
32		850011-1	FLAP RELEASE LEVER	1
33		820023	BRACKET, Compass	1
34		C-2350-DL-4VF	COMPASS	1
35		10-126690-1	MAGNETO SWITCH	1
		10-126680-2	MAGNETO SWITCH	1
36		AN3027-2	MASTER SWITCH	1
37		SS48192	HEADPHONE JACK	1
38		SS48192	MICROPHONE JACK	1
39		D7270-5-10	FUEL PUMP, Breaker	1
40		SS50662	HOLE COVER	1
41		SS50662	HOLE COVER	1
43		D7270-5-5	SWITCH, Navigation Light	1
44		D7270-5-20	BREAKER, Landing Light	1
45		SS50662	HOLE COVER	1
46		2350	BREAKER, Auxiliary Buss Bar	1
47		2350	BREAKER, Generator	1
48		PSM-10N	BREAKER, Cigarette Lighter & Ignition	1
49		PSM-5N	BREAKER, Engine Gage & Warning Light	1
50		PSM-5N	BREAKER, Instrument & Dome Light	1
51		PSM-2N	BREAKER, Turn & Bank	1
52		SS50662	HOLE COVER, (or ADF Breaker)	1
53		SS50662	HOLE COVER, (Or Radio Breaker)	1
54		PSM-5N	BREAKER, Stall Warning	1
55		PSM-5N	BREAKER, Gear Warning	1
		SS50662	HOLE COVER	1
56		710013	SOCKET	4
57		710001	BALL, Socket	2
58		21-006-91	CONTROL, Cowl Flap	1
59		4-2272	CIGARETTE LIGHTER	1
60		150018	PLACARD, Filter Control	1

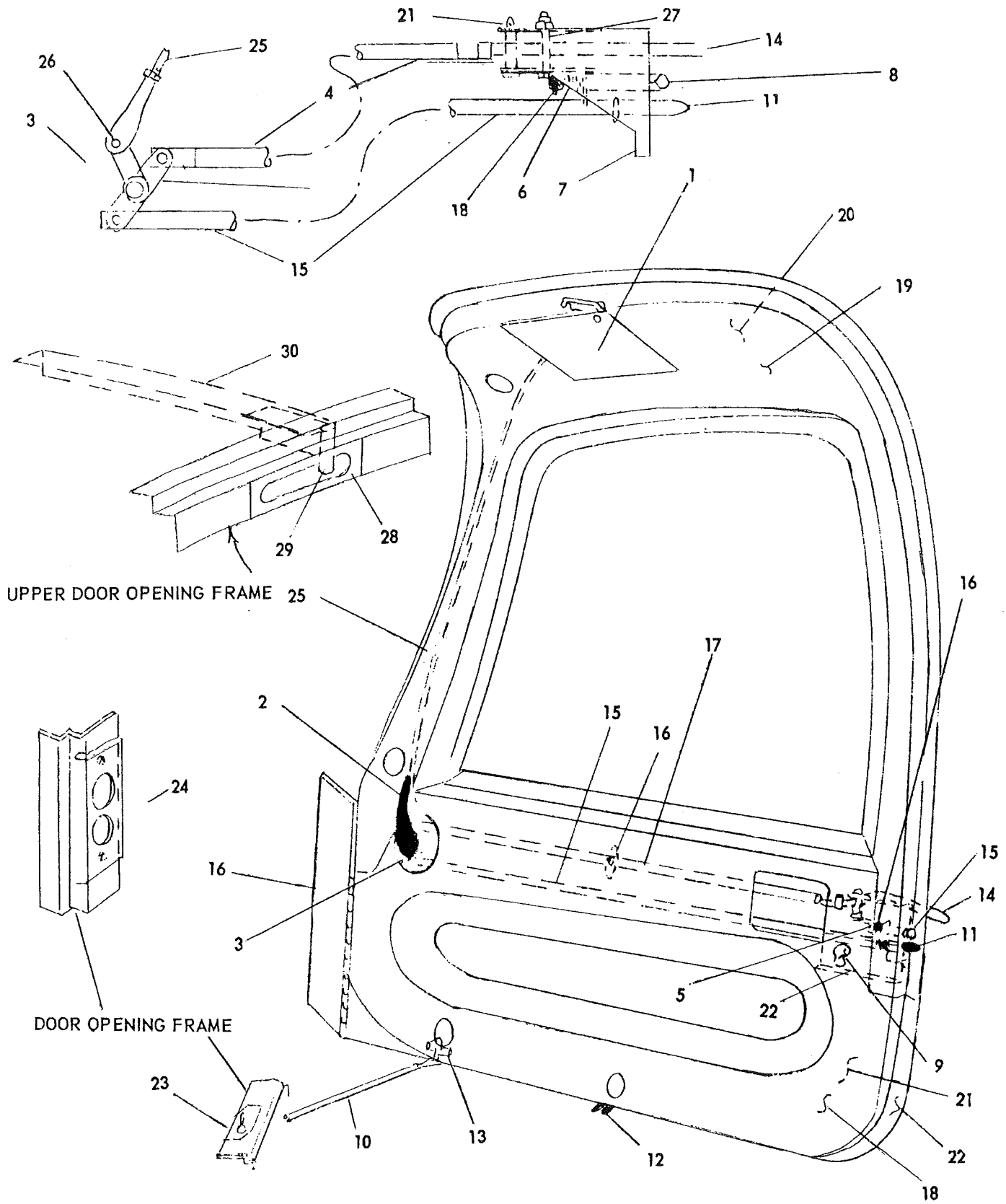


FIG. 12 - FUSELAGE, CABIN DOOR DETAIL



Fig.	Index	Parts No.	Description	Units Assy.
		3310-6	FUSELAGE, CABIN DOOR DETAIL	1
12	1	3370	HOOK LATCH ASSEMBLY	1
	2	8538	HANDLE, Inside Door	1
		3543	HANDLE, Inside Door	1
	3	3329	PLATE, Cover	1
	4	3358-1	SHAFT ASSEMBLY	1
		3358	SHAFT ASSEMBLY	1
		3530	SHAFT ASSEMBLY	1
	5	3326	PIN, Stop	1
	6	3169	SPRING LATCH	1
	7	3356	HOUSING	2
		AN 526-1032R-8	SCREW	2
		AN 507-1032R-8	SCREW	1
	8	3161	CATCH ASSEMBLY	1
	9	10-81337	LOCK ASSEMBLY BENDIX	1
	10	3359	ARM, Hold Open	1
		3955-503	ARM, Hold Open	1
	11	3052	PIN	1
	12	3363	CLIP	1
	13	3361	BRACKET	1
	14	3372	HANDLE, Outside Door	1
	15	3981	LINK	1
	16	AN 366F-1032	PLATE NUT	1
	17	3358-1	SHAFT ASSEMBLY	1
		3358	SHAFT ASSEMBLY	1
		3530	SHAFT ASSEMBLY	1
	18	3310-1	FRAME, Lower	1
	19	3310-2	FRAME, Upper	1
	20	3310-3	SKIN, Upper	1
	21	3310-5	SKIN, Lower	1
	22	3317-1	SEAL	1
	23	3362	CLIP	1
		3997-1	CLIP	1
	24	3364	PLATE STRIKER	1
	25	3367	ARM	1
	26	AN 393-11	PIN, Clevis	1
	27	AN 3-13A	BOLT	1
		AN 365-1032	NUT	1
	28	3355	PLATE STRIKER	1
	29	3352	LATCH, Post	1
	30	3353	STIFFENER, Post	1

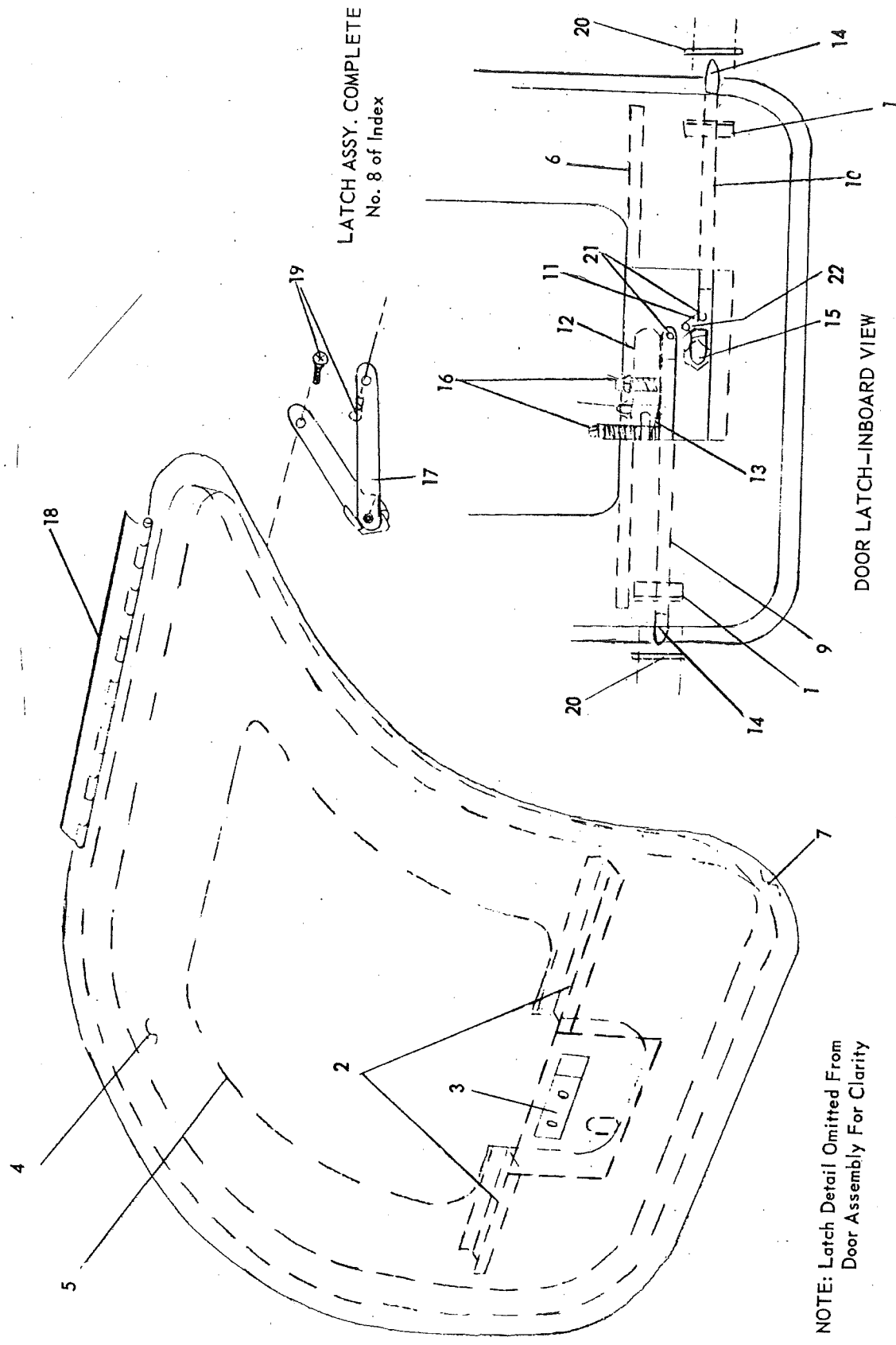


FIG. 13 - FUSELAGE, BAGGAGE DOOR DETAIL



Fig.	Index	Parts No.	Description	Units Assy.
		3336	FUSELAGE, BAGGAGE DOOR DETAIL	1
13	1	3196	GUIDE, Bracket	2
	2	3337-1	STIFFENER	2
	3	3200	PLATE, Lock	1
		3200-3	PLATE, Lock	1
	4	3338	SKIN	1
	5	3334	PANEL	1
	6	3337	STIFFENER	1
	7	3317-2	SEAL	1
	8	3342	LATCH ASSEMBLY	1
	9	3194	ROD	1
	10	3197	ROD	1
	11	3192	ARM	1
	12	3053	LATCH	1
	13	3124	PLATE	2
	14	3052	PIN	1
	15	10-81337	LOCK, Bendix	2
	16	186-218	SPRING, H & W	2
		AN 3-13	BOLT	2
		AN 310-3	NUT	4
		AN 960-10	WASHER	2
		AN 380-2-2	PIN, Cotter	1
	17	3245-2	ARM, Hold Open	1
	18	3336-5	HINGE	2
	19	AN 507-R832-8	SCREW, Machine	2
	20	3345	PLATE, Latch	2
	21	AN 393-9	PIN, Clevis	2
		AN 960-10	WASHER	2
		AN 380-2-2	PIN, Cotter	1
	22	AN 960-10	WASHER	1
		AN 310-3	NUT	1

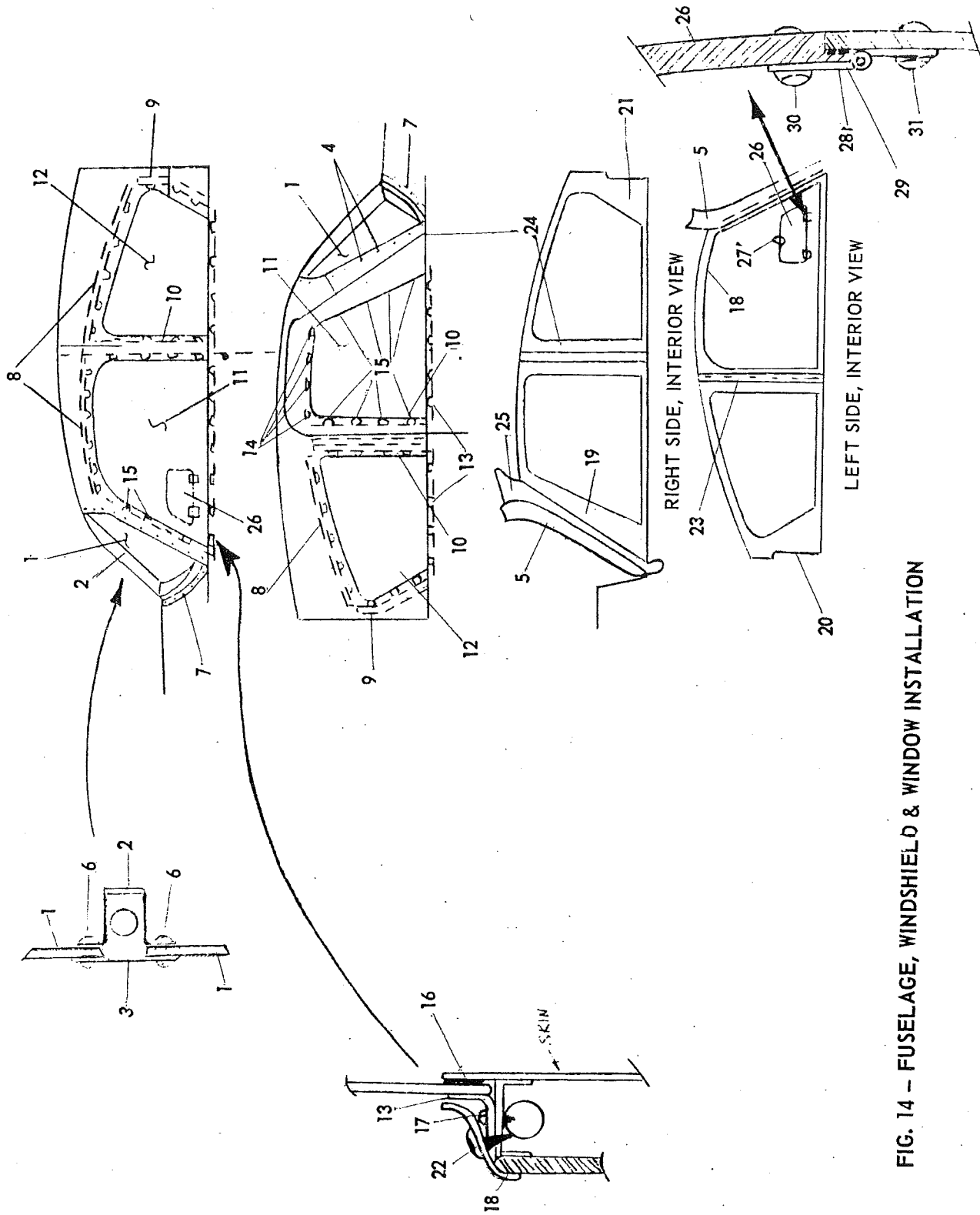


FIG. 14 - FUSELAGE, WINDSHIELD & WINDOW INSTALLATION



Fig.	Index	Parts No.	Description	Units Assy.
			FUSELAGE, WINDOW AND WINDSHIELD INSTALLATION	
14	1	3266-1	WINDSHIELD, Left	1
		3266-7	WINDSHIELD, Left	1
		3266-2	WINDSHIELD, Right	1
		3266-8	WINDSHIELD, Right	1
	2	3236	CHANNEL, Windshield Center Post	1
	3	3252	CENTER POST, Windshield	1
	4	AN 526-632-10	SCREW, Machine	70
		AN 960-6	WASHER	70
		AN 365-632	NUT	70
	5	3268-1	MOULDING, Interior, Windshield	1
		3268-2	MOULDING, Interior, Windshield	1
	6	AN 526-632-6	SCREW, Machine	12
		#6	WASHER, Finish	12
		K-6	NUT	12
	7	3250	OUTER FLANGE, Windshield	1
	8	3257-1	ANGLE, Window and Upholstery	2
		3257-2	ANGLE, Window and Upholstery	1
	9	3219-1	ANGLE, Rear Window, Left	1
		3219-2	ANGLE, Rear Window, Right	1
	10	3032-1	POST, Interior Window, Left	2
		3032-2	POST, Interior Window, Right	1
	11	8146-7	FRONT WINDOW, Left	1
		8146-2	FRONT WINDOW, Right	1
		8146-8	FRONT WINDOW, Right	1
	12	8146-3	REAR WINDOW, Left	1
		8146-9	REAR WINDOW, Left	1
		8146-4	REAR WINDOW, Right	1
		8146-10	REAR WINDOW, Right	1
	13	8163-1	CLIP, Window	56
	14	8163-2	CLIP, Window	4
	15	8163-3	CLIP, Window	10
	16		SCOTCH CAULKING COMPOUND	
	17	#4 X 3/8	SCREW, P. K.	70
		AN 935-4	WASHER, Lock	70
	18	8117-1	GARNISH MOULDING, Left Front	1
	19	8117-2	GARNISH MOULDING, Right Front	1
	20	8117-3	GARNISH MOULDING, Left Rear	1
	21	8117-4	GARNISH MOULDING, Right Rear	1
	22	#6	SCREW, Chrome Plated	
		614	WASHER, Finish	

Fig.	Index	Parts No.	Description	Units Assy.
14	23	8174-1	TRIM STRIP, Left Window Garnish	1
	24	8174-2	TRIM STRIP, Right Window Garnish	1
	25	8176	FILLER STRIP, Right Windshield, Interior	1
	26	3166	WINDOW, Storm	1
	27	3165-7	LATCH KNOB, Storm Window	1
		AN 526-6R-9	SCREW, Machine	1
		AN 960-6L	WASHER	2
		AN 960-10L	WASHER	2
		8021-2	BUSHING	1
		AN 365-632	NUT	1
	28	3313	GASKET	1
	29	3312	HINGE	2
	30	AN 526-6R-4	SCREW, Machine	2
		614	WASHER	2
		K 6	NUT	2
	31	AN 526-6R-4	SCREW, Machine	2
		AN 960-10	WASHER	2
		614	WASHER	2
		K 6	NUT	2

FIG. 15 - FUSELAGE, FLOORBOARD ASSEMBLY AND INSTALLATION, M-20B

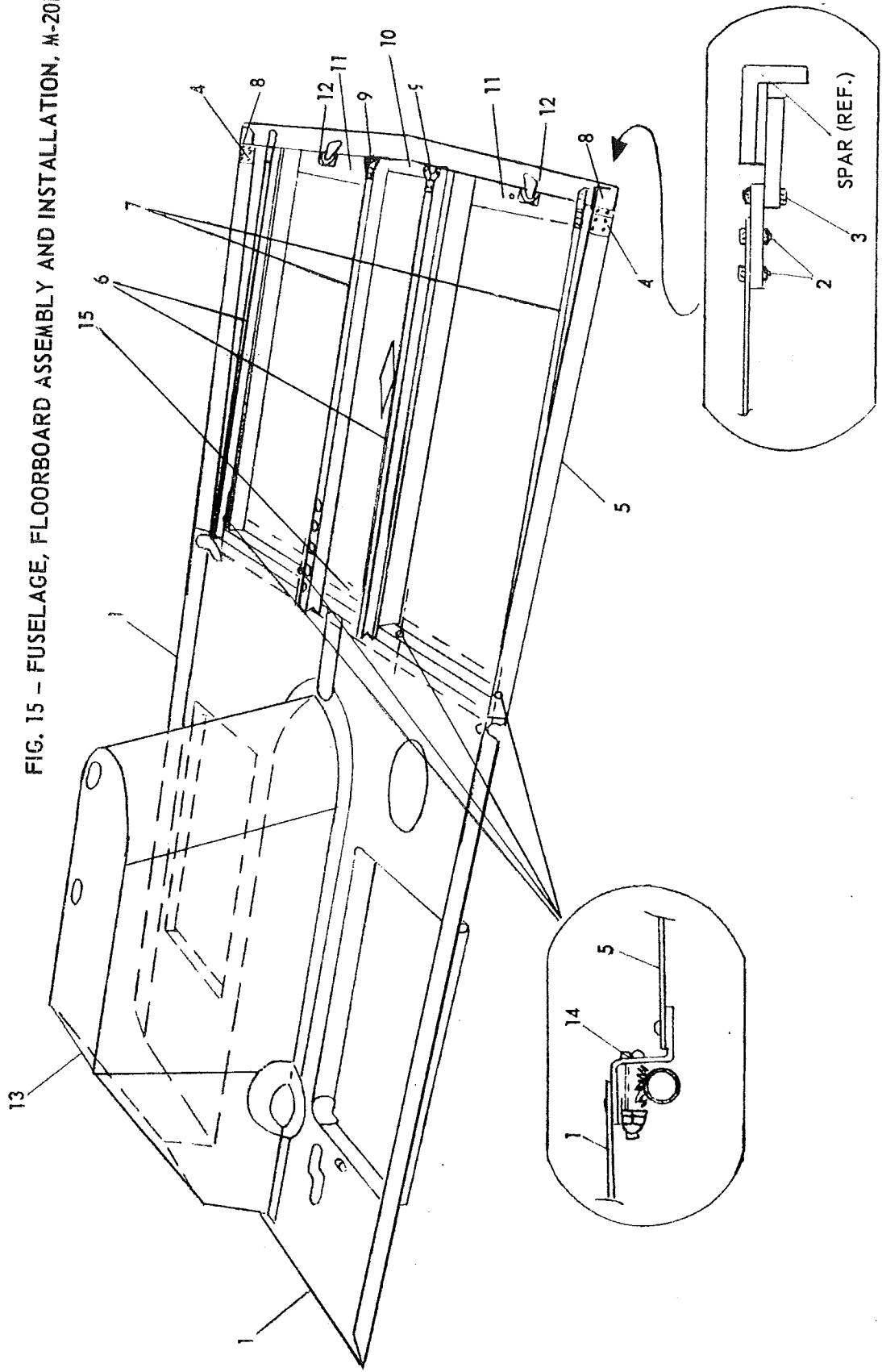


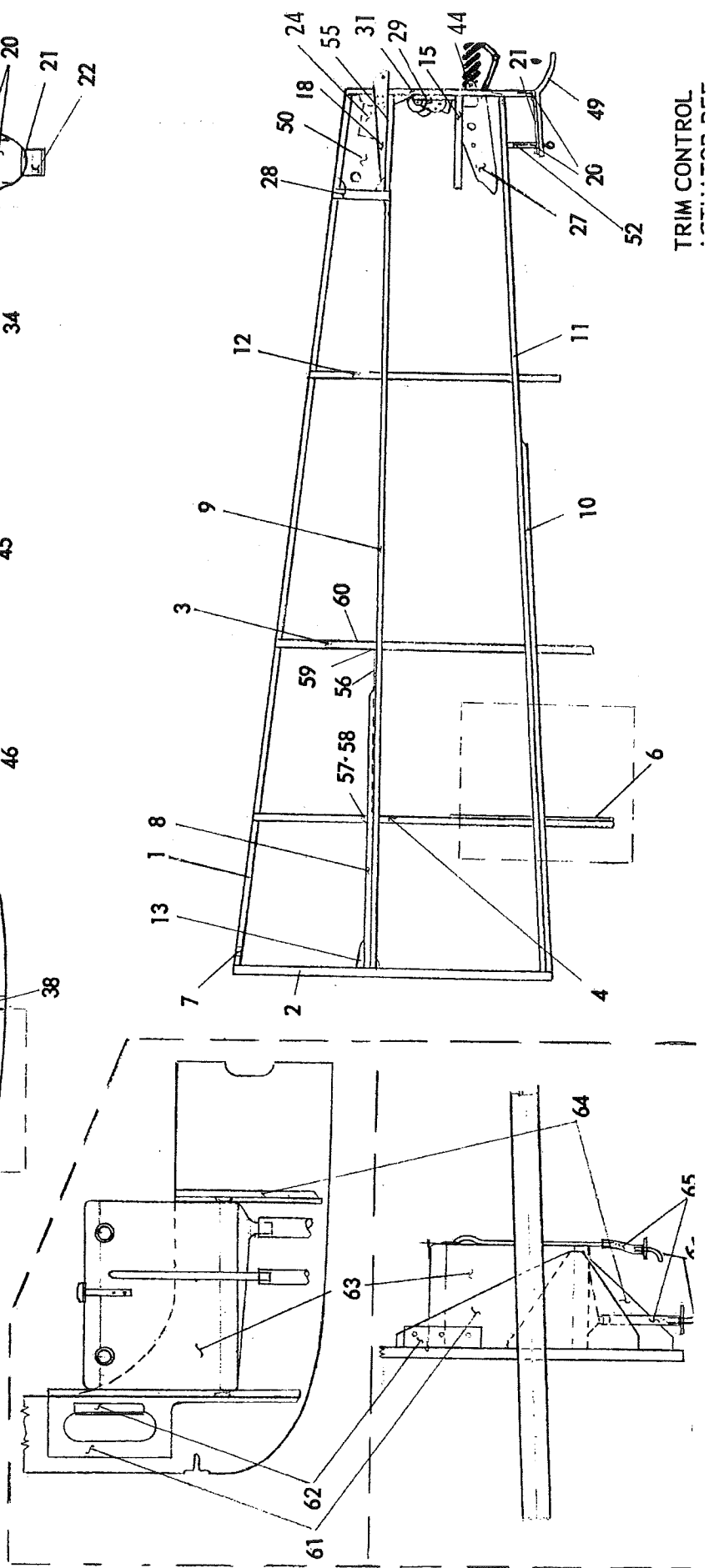
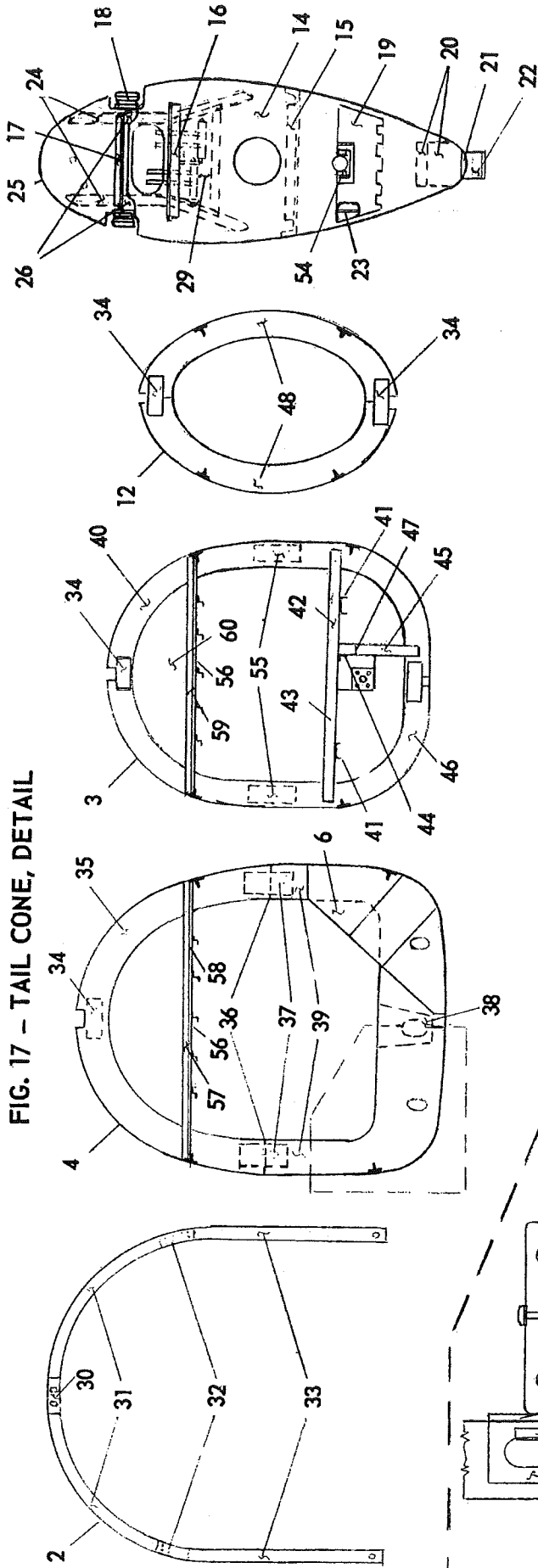


Fig.	Index	Parts No.	Description	Units Assy.
		3949	FUSELAGE, FLOORBOARD ASSEMBLY (M-20B)	
15	1	3042-3	FLOORBOARD, Front, Left	1
		3042-4	FLOORBOARD, Front, Right	1
	2	AN 3-7A	BOLT	8
		AN 363-1032	NUT	8
		AN 960-10	WASHER	16
	3	AN 3-7A	BOLT	4
		AN 367-1032	NUT	4
		AN 960-10	WASHER	8
	4	3941	BRACKET	2
	5	3936	FLOORBOARD, Rear	1
	6	3940-1	RAIL, Seat	1
		3940-2	RAIL, Seat	1
	7	3940-3	RAIL, Seat	1
		3940-4	RAIL, Seat	1
	8	3942	BRACKET	2
	9	3937-7	SUPPORT, Left	1
		3937-8	SUPPORT, Right	1
	10	3937-9	SUPPORT	2
	11	3937-7	SUPPORT, Left	1
		3937-8	SUPPORT, Right	1
	12	3972	COVER	2
	13	3389	WELL, Nose Wheel	1
	14	AN 3-11A	BOLT	4
		AN 363-1032	NUT	4
		AN 960-10	WASHER	4
	15	3391	STIFFENER	1



Fig.	Index	Parts No.	Description	Units Assy.
		3500	FUSELAGE: FLOORBOARD ASSEMBLY M-20C, D & E	
5	1	3389	WELL, Nose Wheel	1
	2	3500-7	FLOORBOARD	1
	3	3500-11	ANGLE	2
	4	3500-13	SHIM	4
	5	3502-7	RAIL, Seat	2
	6	3502-9	RAIL, Seat	2
	7	5275-7	SUPPORT, Uplock	1
		5275-9	DOUBLER, Uplock	1
	8	3044-1	SUPPORT	1
	9	3501-9	Z RAIL	1
10		7231-8	BRACKET	1
11		7231-7	BRACKET	1
12		3503-7	BRACKET	1
13		3503-8	BRACKET	1
14		3984-9	COVER	2
15		3500-9	COVER	1
16		8292-11	CLIP	2
17		AN 3-10A	BOLT	4
		AN 365-1032	NUT	4
		AN 960-10	WASHER	4
18		AN 3-10A	BOLT	4
		AN 365-1032	NUT	4
		AN 960-10	WASHER	4
19		AN 3-6A	BOLT	4
		AN 365-1032	NUT	4
		AN 960-10	WASHER	4

FIG. 17 - TAIL CONE, DETAIL



TRIM CONTROL



Fig.	Index	Parts No.	Description	Units Assy.
			TAIL CONE, DETAIL	
17	1	3041-1	LONGERON ASSY.	1
	2	3068-3	BULKHEAD ASSY.	1
		3068-1	BULKHEAD ASSY.	1
	3	3079-1	BULKHEAD ASSY.	1
	4	3075	BULKHEAD ASSY.	1
	5	3106	BULKHEAD CLOSURE ASSY.	1
	6	8273	BULKHEAD ASSY.	1
	7	3111	CLIP ASSY.	1
	8	3436-7	STIFFENER, Left	1
		3436-8	STIFFENER, Right	1
	9	3934-7	LONGERON, Left	1
		3934-8	LONGERON, Right	1
	10	3451-1	STIFFENER, Left	1
		3451-2	STIFFENER, Right	1
	11	3935-7	LONGERON, Left	1
		3935-8	LONGERON, Right	1
	12	3083	BULKHEAD ASSY.	1
	13	3437	PLATE	2
		3446	FITTING ASSY.	2
	14	3926	WEB, Rear Bulkhead	1
	15	3925	PLATE STIFFENER	1
	16	3927	EXTRUSION, BULKHEAD	1
	17	3912	PLATE, Stiffener	1
	18	3917-7	ATTACHMENT FITTING, Left	1
		3917-8	ATTACHMENT FITTING, Right	1
		3916-7	ATTACHMENT FITTING, Left	1
		3916-8	ATTACHMENT FITTING, RIGHT	1
	19	4155-19	PLATE, Hinge	1
	20	3943	BRACKET, Tail Skid	1
		3931	TAIL SKID	1
	21	3930	EXTRUSION, Tail Skid	1
	22	3929	STRAP, Tail Skid	1
	23	3928	ATTACHMENT, Trim Assist	1
	24	3914-7	BULKHEAD STIFFENER, Left	1
		3914-8	BULKHEAD STIFFENER, Right	1
	25	3911-61	BULKHEAD ASSY., Rear	1
	26	3910-7	EMPENNAGE STIFFENER, Left	1
		3910-8	EMPENNAGE STIFFENER, Right	1
	27	3922-1	TRIM BEARING PLATE, Left	1
		3922-2	TRIM BEARING PLATE, Right	1
	28	3915	BULKHEAD	1
	29	3919	BELLCRANK ATTACHMENT ASSY.	1

Fig.	Index	Parts No.	Description	Units Assy.
30		3064	SPLICE PLATE, Top	1
31		3066-1	BULKHEAD FLANGE, Upper Left	1
		3066-2	BULKHEAD FLANGE, Upper Right	1
32		3065	SPLICE PLATE, Side	2
33		3067-3	BULKHEAD FLANGE, Left	1
		3067-4	BULKHEAD FLANGE, Right	1
34		3069	SPLICE PLATE, Top	4
35		3073-1	BULKHEAD, Upper Section	1
36		3106	BULKHEAD CLOSURE ASSY.	1
37		3070	SPLICE PLATE, Side	4
38		3072	SPLICE PLATE, Bottom	1
39		3074-1	BULKHEAD, Lower Section, Left	1
		3074-2	BULKHEAD, Lower Section, Right	1
40		3077-1	BULKHEAD, Upper Section, Left	1
		3077-2	BULKHEAD, Upper Section, Right	1
41		822	BRACKET, Walking Beam	3
42		3076	BULKHEAD SUPPORT	1
43		3071	STIFFENER, Support	1
44		3114	CLIP, Support	1
45		3113	STIFFENER, Support	1
46		3078-1	BULKHEAD, Lower Section	1
		3078-2	BULKHEAD, Lower Section	1
47		3036	CLIP, Support	1
48		3082-1	BULKHEAD	1
		3082-2	BULKHEAD	1
49		3929	TAIL SKID	1
50		3913-7	STIFFENER PLATE, Left	1
		3913-8	STIFFENER PLATE, Right	1
51		3924	STIFFENER PLATE	1
52		3932	BULKHEAD STIFFENER	1
53		3918	PLATE STIFFENER	1
54		3980	JOINT SUPPORT	1
55		3070	SPLICE PLATE, Side	2
56		350112-1	FLOOR ASSY.	1
57		350114-3	STIFFENER	1
58		350054-11	STIFFENER	1
		350112-7	STIFFENER	1
59		350115-3	STIFFENER	1
60		350113-3	REAR WALL	1
61		800045-3	BRACKET	1
62		800045-9	BRACKET	1



Fig.	Index	Parts No.	Description	Units Assy.
63	800020-501		BATTERY BOX ASSY.	1
	800020		BOX ASSY.	1
	800020-1		LID ASSY.	1
64	800045-5		BRACKET	1
65	800045-11		TUBE, Vinyl	2
66	800046-1		FITTING ASSY.	2

FIG. 18 - TAIL CONE, SKIN DETAIL

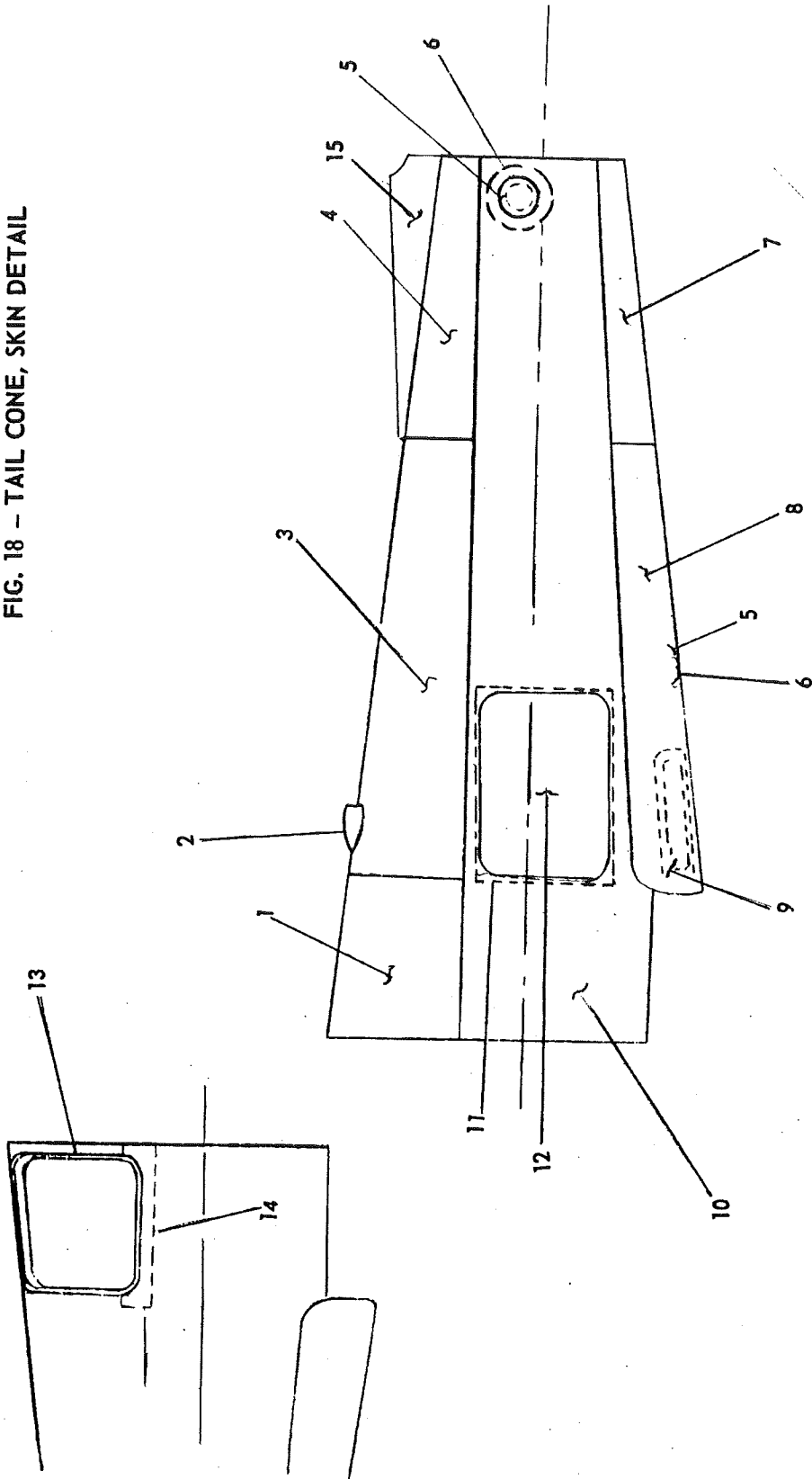




Fig.	Index	Parts No.	Description	Units Assy.
			TAIL CONE. SKIN DETAIL	
18		3911	TAIL CONE ASSY.	1
		3911-501	TAIL CONE ASSY.	
		3911-503	TAIL CONE ASSY.	
		3911-505	TAIL CONE ASSY.	
		3911-507	TAIL CONE ASSY.	
		3911-509	TAIL CONE ASSY.	
	1	3911-13	SKIN	
	2	3287-3	VENT	1
	3	3911-11	SKIN, Left	1
		3911-12	SKIN, Right	1
	4	3911-15	SKIN	1
	5	3136	RING, Inspection Door	4
	6	3135	DOOR, Inspection	4
	7	3911-17	SKIN	1
	8	3911-9	SKIN, Left	1
		3911-10	SKIN, Right	1
	9	8286	DOUBLER	1
	10	3911-7	SKIN, Left	1
		3911-8	SKIN, Right	1
	11	3403	RING	1
	12	3404	DOOR, Access	1
	13	3335	FRAME, Baggage Door	1
	14	3365	SKIN, Baggage Door Trim	1
	15	4175	FAIRING	1
		350118-3	FAIRING	1
		8034-1	FIN FILLET	1

FIG. 19 - ACCESS DOOR & PANELS

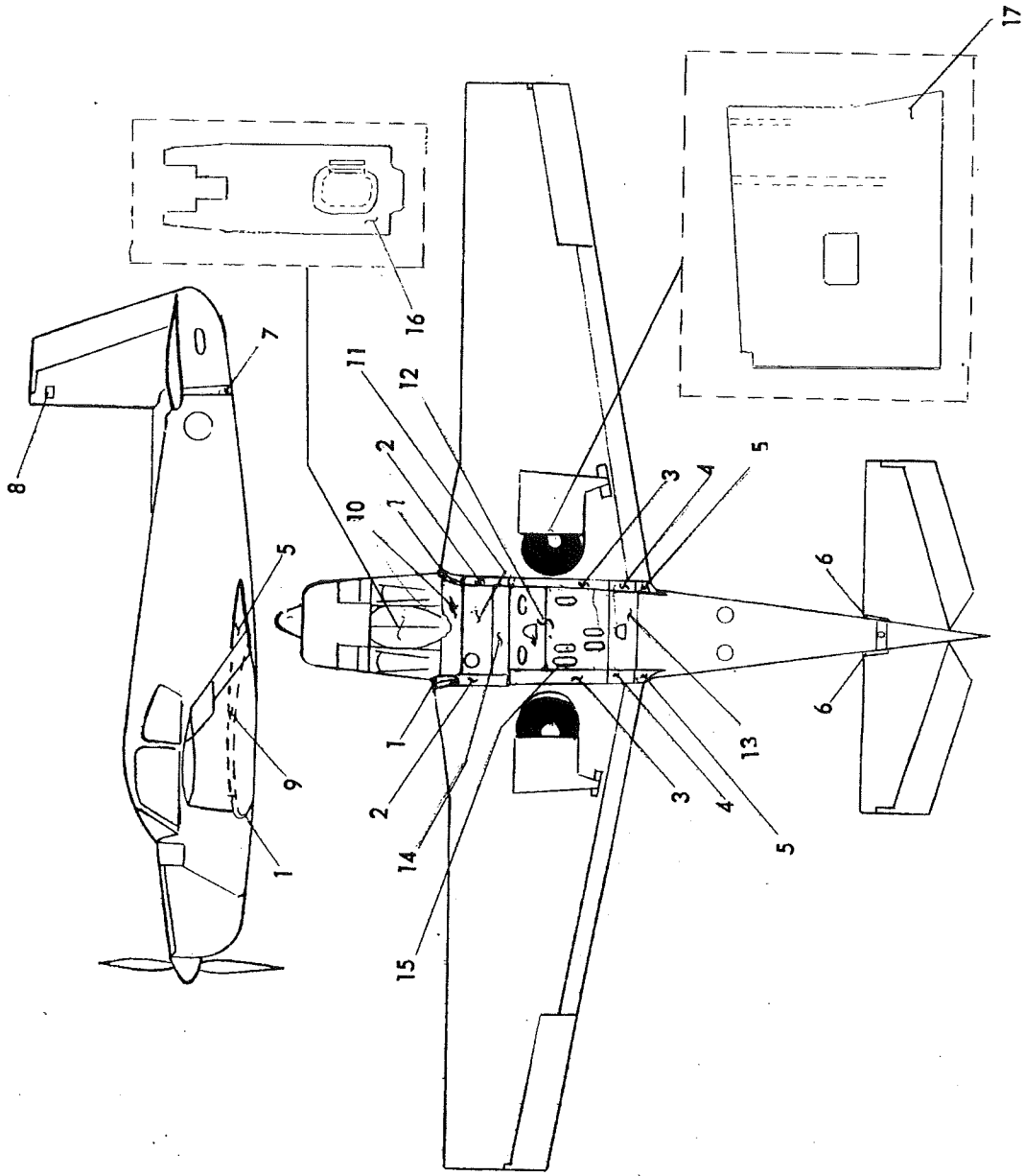




Fig.	Index	Parts No.	Description	Units Assy.
			ACCESS DOORS AND PANELS	
19	1	8122-5	FAIRING, Wing to Fuselage, Left	1
		8122-6	FAIRING, Wing to Fuselage, Right	1
	2	2277-9	FAIRING, Belly, Left	1
		2277-10	FAIRING, Belly, Right	1
	3	2277-7	FAIRING, Belly, Right	1
		2277-8	FAIRING, Belly, Right	1
	4	3979-3	FAIRING, Flap Hinge	1
		3979-4	FAIRING, Flap Hinge	1
	5	8062-9	FILLET, Fuselage, Left	1
		8062-10	FILLET, Fuselage, Right	1
		8272	FAIRING, Step	1
	6	4174	FAIRING, Stabilizer	2
	7	3933-7	FAIRING, Stinger, Left	1
		3933-8	FAIRING, Stinger, Right	1
	8	4171	PLATE, Antenna Cover	1
	9	8122-3	FAIRING, Fuselage, Left	1
		8122-4	FAIRING, Fuselage, Right	1
	10	3011-501	FAIRING, Fuselage Bottom	1
		3011-7	FAIRING, Fuselage Bottom	1
	11	3974-1	FAIRING, Middle Bottom	1
		3974-501	FAIRING, Middle Bottom	1
	12	2180-58	FAIRING, Belly	1
	13	3978	PLATE ASSEMBLY, Bottom	1
	14	3975	PANEL ASSEMBLY, Removable	1
	15	913000-501	PLATE, Inspection	7
	16	320003-1	COVER ASSY., Nose Gear Wheel Well	1
		913011-501	ACCESS DOOR	1
	17	210078-503	COVER ASSEMBLY, Left Wing Wheel Well	1
		210078-504	COVER ASSEMBLY, Right Wing Wheel Well	1

FIG. 20 - MAIN LANDING GEAR ASSEMBLY & INSTALLATION

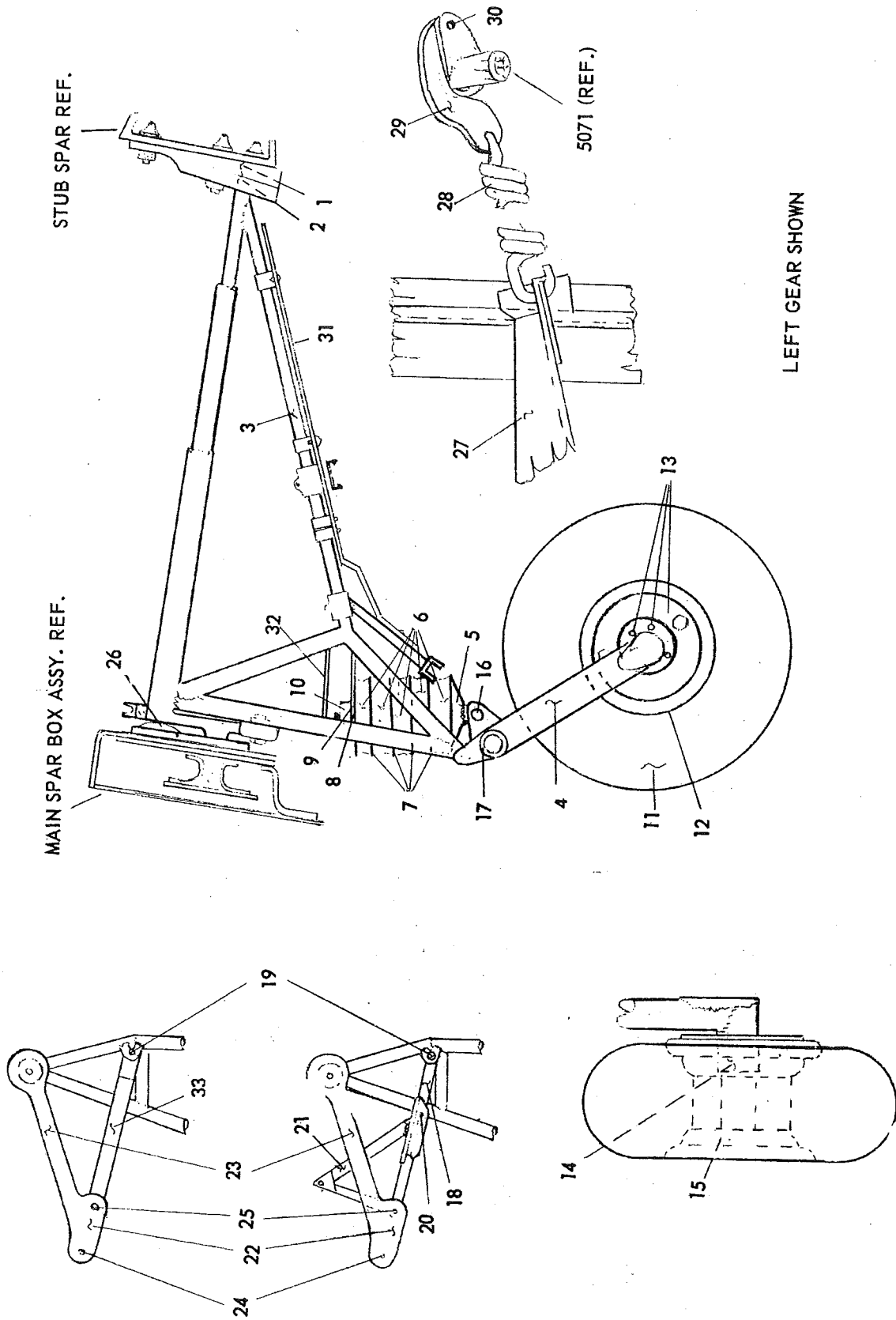




Fig.	Index	Parts No.	Description	Units Assy.
		5257	MAIN GEAR ASSEMBLY & INSTALLATION	
		5257-1	MAIN GEAR ASSEMBLY & INSTALLATION, Left	
		5257-2	MAIN GEAR ASSEMBLY & INSTALLATION, Right	
20	1	2257-7	BEARING, Rear, LH	1
		2257-8	BEARING, Rear, Right	1
		2257-9	BEARING, Rear, LH, and RH	2
		AN 4-14A	BOLT	2
		AN 4-13A	BOLT	2
		AN 4-6A	BOLT	2
	2	5266	(-7 thru -17 use as needed for proper fit)	1
	3	5071-1	LEG, Main Gear, Left	1
		5071-2	LEG, Main Gear, Right	1
	4	5018-1	SPINDLE, Left	1
		5018-2	SPINDLE, Right	1
	5	5013-3	RETAINER, Shock Disc	1
	6	3CRE714	DISC, Shock	5
	7	5067	SPACER, Shock Disc	4
	8	5080	SPACER, Shock Disc	1
	9	5021	PAD, Upper Shock	1
	10	5131-8	COLLAR, Retainer	1
		5132	BOLT	1
		AN 320-5	NUT	1
		AN 380-2-4	PIN, Cotter	1
		AN 960-516	WASHER	
	11	600 X 6	TIRE, Type III 6 Ply	1
	12	27-000	WHEEL & BRAKE ASSEMBLY, Cleveland	1
		40-24	WHEEL ASSEMBLY ONLY	1
		30-5	BRAKE ASSEMBLY ONLY	1
	13	AN 4-5A	BOLT	4
		AN 365-428	NUT	4
	14	5051	SPACER WHEEL 1 11/16"	1
		5051-7	SPACER WHEEL 1 7/8"	1
		5051-9	SPACER WHEEL 1:830	1
		5051-11	SPACER WHEEL 1 15/16"	1
	15	AN 7502-24	NUT, Retaining	1
		AN 380-4-10	PIN, Cotter	1
	16	5046-5	BUSHING	1
		AN 9-24A	BOLT	1
		AN 365-918	NUT	1
	17	7042-19	BUSHING	2
		AN 6-22	BOLT	2
		AN 960-616	WASHER	4
		AN 365-624	NUT	2

Fig.	Index	Parts No.	Description	Units Assy.
20	18	5026-7	LINK, Retraction	1
	19	7042-17	BUSHING	1
		AN 6-22A	BOLT	1
		AN 960-616	WASHER	1
		AN 365-624	NUT	1
	20	7042-17	BUSHING	1
		AN 26-17	BOLT	1
		AN 960-616	WASHER	2
		AN 320-6	NUT	1
		AN 380-3-3	PIN, Cotter	1
	21	5256-1	TRUSS, Retracting, Left	1
		520006-1	TRUSS, Retracting, Left	1
		5256-2	TRUSS, Retracting, Right	1
		520006-2	TRUSS, Retracting, Right	1
	22	5028	BRACKET, Retraction Truss	1
		5259	If needed for alignment	1
	23	5233	STRAP, Reinforcing	1
	24	AN 5H16A	BOLT	1
	25	7042-18	BUSHING	1
		AN 6H21A	BOLT	1
	26	5232	BEARING, Front Support	1
	27	5236	BRACKET	1
	28	5098	SPRING, Gear Assist	1
	29	5099	LINK, Spring Attach.	1
	30	AN 3-5	BOLT	1
		AN 316-3	NUT	1
		AN 380-2-2	PIN, Cotter	1
	31	5183-3	SHIELD, Mud, Left	1
		5183-4	SHIELD, Mud, Right	1
	32	5186	SHIELD	1
	33	510011-9	LINK, Main Gear Retracting	1

FIG. 21 - NOSE LANDING GEAR ASSEMBLY & INSTALLATION

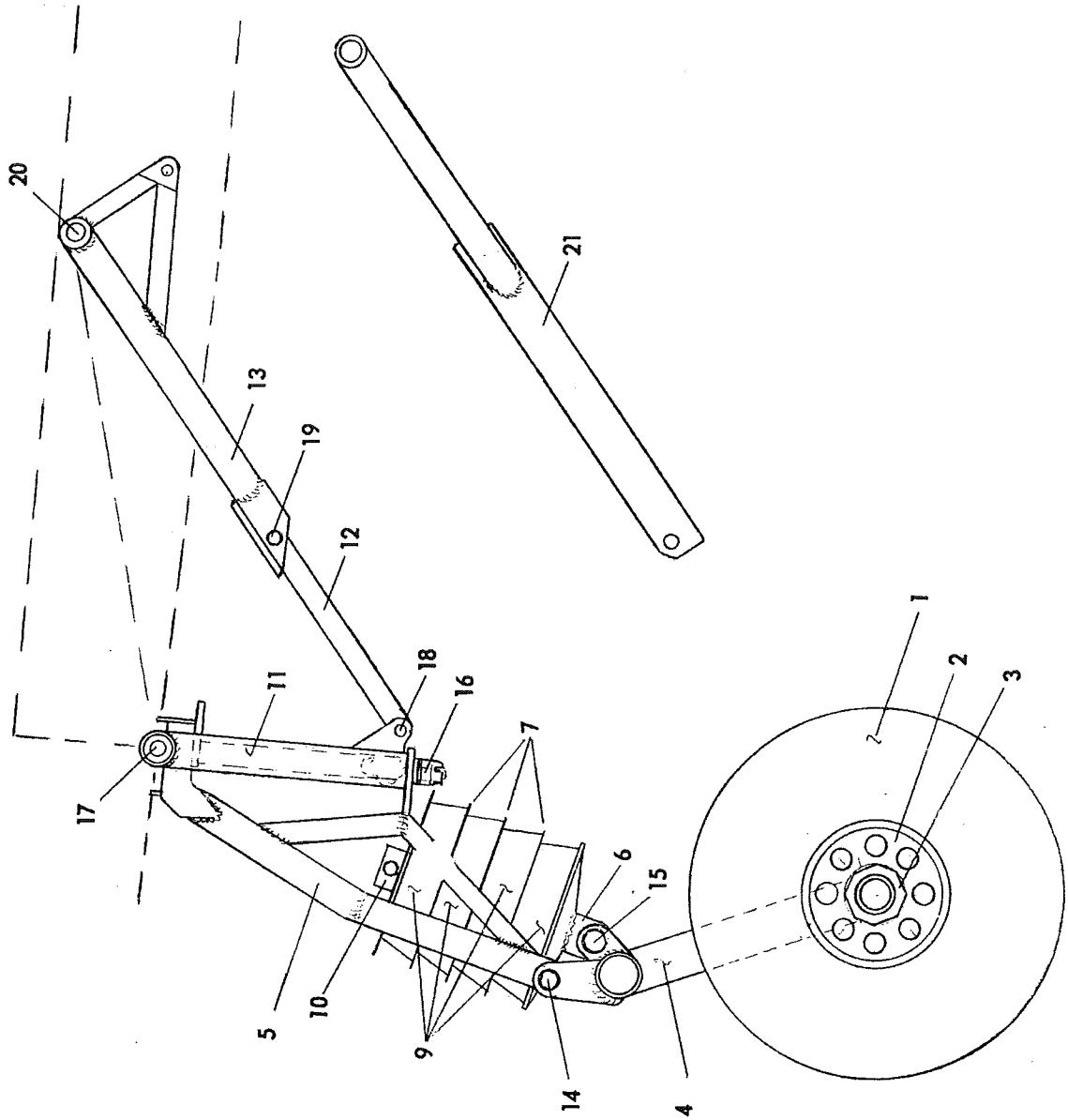




Fig.	Index	Parts No.	Description	Units Assy.
21	1	TYPE III	NOSE GEAR ASSEMBLY AND INSTALLATION	1
			TIRE, 5:00 X 5, 4 Ply	1
			TUBE, 5:00 X 5	1
	2	21-100D	WHEEL, 5:00 X 5 Cleveland Nose (40-33)	1
	3	AN 7502-20	NUT, Wheel Retaining	1
		AN 380-4-8	KEY, Cotter	1
		5077	SPACER	1
	4	5070	SPINDLE, Nose Gear	1
	5	5074	STRUCTURE, Upper Gear	1
	6	5078-3	RETAINER, Shock Disc	3
	7	5067	SPACER, Shock Disc	1
	8	5021	PAD, Upper Shock	4
	9	3CRE714	DISC, Firestone Shock	1
	10	5131-7	COLLAR, Shock Retainer	1
		AN 5-15A	BOLT	1
		AN 960-515	WASHER	1
		AN 365-524	NUT	1
	11	5015-5	TRUSS, Nose Gear Support	1
	12	5032-7	LINK, Retracting	1
	13	5062-20	RETRACTING TRUSS, Nose	2
	14	AN 7-22A	BOLT	2
		5046-3	BUSHING	2
		AN 960-716	WASHER	2
		AN 365-720	NUT	1
	15	5042	BOLT	1
		5046-5	BUSHING	1
		AN 365-918	NUT	1
	16	AN 7-50	BOLT	1
		5046-4	BUSHING	1
		AN 960-716	WASHER	1
		AN 310-7	NUT	1
		AN 380-3-3	KEY, Cotter	2
	17	AN 6-33A	BOLT	2
		5046-2	BUSHING	2
		AN 365-624	NUT	1
	18	AN 6-15A	BOLT	1
		7042-21	BUSHING	1
		AN 960-616	WASHER (Under Nut)	5
		AN 960-816	WASHER (Between Ears and Link)	2
		AN 960-916L	WASHER (For Proper Spacing)	1
		AN 365-624	NUT	1
	19	AN 6-13A	BOLT	1
		7042-17	BUSHING	1

Fig.	Index	Parts No.	Description	Units Assy.
21	19	AN 960-616	WASHER	2
		AN 365-624	NUT	
20	AN 5-26A		BOLT (Head Inboard)	1
		5046-1	BUSHING	2
		5044-3	BUSHING	2
21		540002-501	TRUSS, Nose Gear Retracting	2
				1

FIG. 22 - LANDING GEAR FAIRING ASSEMBLIES, M-20D

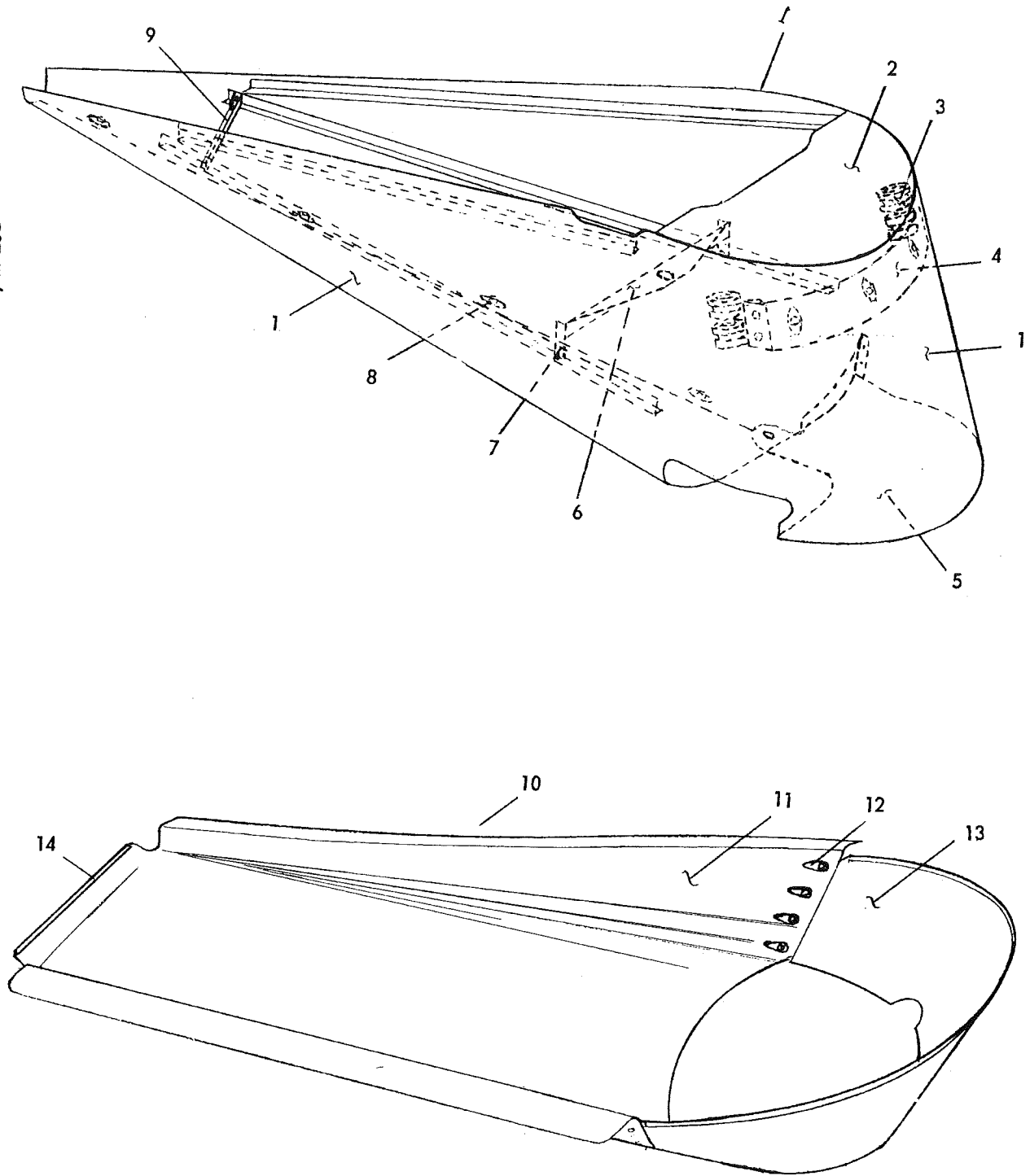
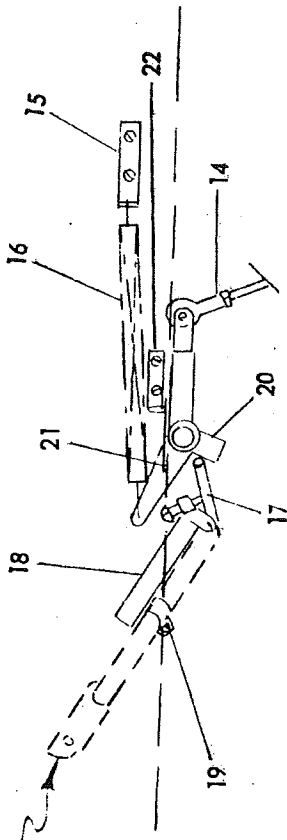




Fig.	Index	Parts No.	Description	Units Assy.
			LANDING GEAR FAIRING ASSEMBLIES, M-20D	
22	1	540006-17	NOSE GEAR FAIRING ASSY.	1
	2	540006-3	FORMER	1
	3	MS21919G14	CLAMP	4
	4	540006-21	BRACKET ASSY.	1
	5	540006-5	FORMER	1
	6	540006-23	BRACKET ASSY.	1
	7	AN526-1032- R6	SCREW	2
		AN960-10L	WASHER	2
	8	AN366-F832	NUT PLATE	4
	9	540006-15	BRACKET ASSY.	1
	10	520008-1	MAIN GEAR FAIRING ASSY., Left	1
		520008-2	MAIN GEAR FAIRING ASSY., Right	1
	11	520008-3	MAIN GEAR FAIRING, Left	1
		520008-4	MAIN GEAR FAIRING, Right	1
	12	22NA17A-02	NUT PLATE	8
		AN526-1032R8	SCREW	8
	13	520008-5	MAIN GEAR FAIRING, Front Left	1
		520008-6	MAIN GEAR FAIRING, Front Right	1
	14	X200	RUBBER, Chardon Extrusion	1

FIG. 23 - LANDING GEAR DOOR INSTALLATION

NOSE RETRACTING TRUSS



NOSE GEAR DOOR RETRACTING MECHANISM

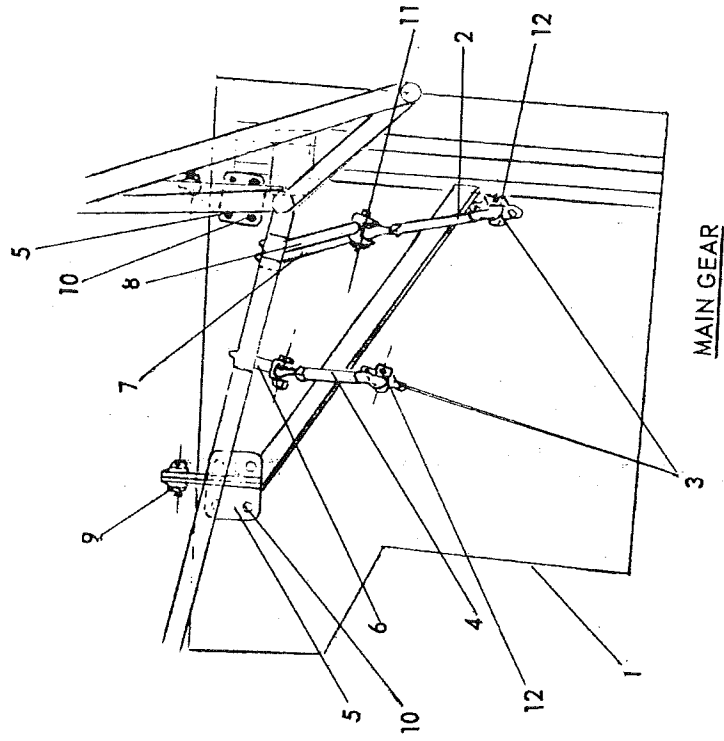
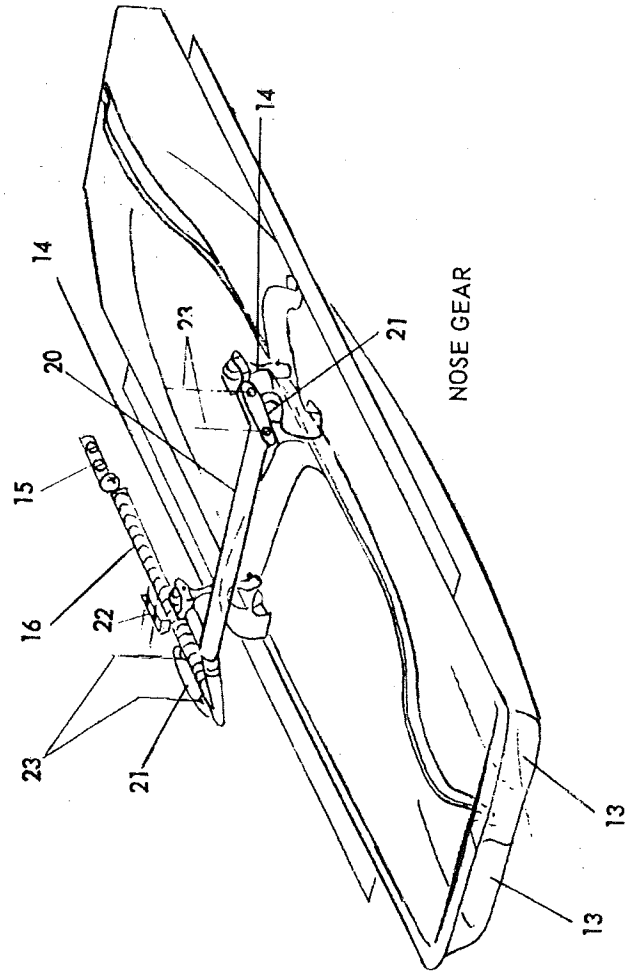




Fig.	Index	Parts No.	Description	Units Assy.
		8591	LANDING GEAR DOOR INSTALLATION	
23	1	8590-1	MAIN GEAR DOOR, Left	1
		8590-2	MAIN GEAR DOOR, Right	1
	2	8051	LINK	1
	3	8054	BRACKET	2
	4	8052	LINK	1
	5	5238-1	HINGE, Left	2
		5238-2	HINGE, Right	2
	6	8111-1	BRACKET, Attach.	1
	7	8111-3	STIFFENER, Left	1
		8111-4	STIFFENER, Right	1
	8	8111-5	BRACKET, Attach.	1
	9	AN 4-7A	BOLT	2
		AN 365-428	NUT	2
		AN 960-416	WASHER	2
10		AN 23-8A	BOLT	8
		AN 363-1032	NUT	8
		AN 960-10	WASHER	8
11		AN 3-13A	BOLT	1
		AN 363-1032	NUT	1
12		AN 23-8A	BOLT	4
		AN 363-1032	NUT	4
		AN 960-10	WASHER	4
13		8367-1	NOSE GEAR DOOR, Left	1
		8367-501	NOSE GEAR DOOR, Left	1
		8367-2	NOSE GEAR DOOR, Right	1
		8367-502	NOSE GEAR DOOR, Right	1
14		8129	LINK, Retraction	2
15		8133	BRACKET, Spring	2
		AN 515-6R8	SCREW	2
		AN 960-6	WASHER	2
		AN 365-632	NUT	2
16		508	SPRING	1
17		8126	ARM, Retraction Leve	1
18		8125	LEVER, Door Retraction	1
19		AN 3-5A	BOLT	2
		AN 960-10	WASHER	2
		AN 365-1032	NUT	2
20		8651	CAM, Retractable	1
21		8130	BEARING, Retractable Cam	2

Fig.	Index	Parts No.	Description	Units Assy.
22		3093	BRACKET	1
		AN 515-6R5	SCREW	2
		AN 960-6	WASHER	2
		AN 365-632	NUT	2
23		AN 3-5A	BOLT	4
		AN 960-10	WASHER	4
		AN 365-1032	NUT	4

FIG. 24 - WHEEL AND BRAKE DETAIL

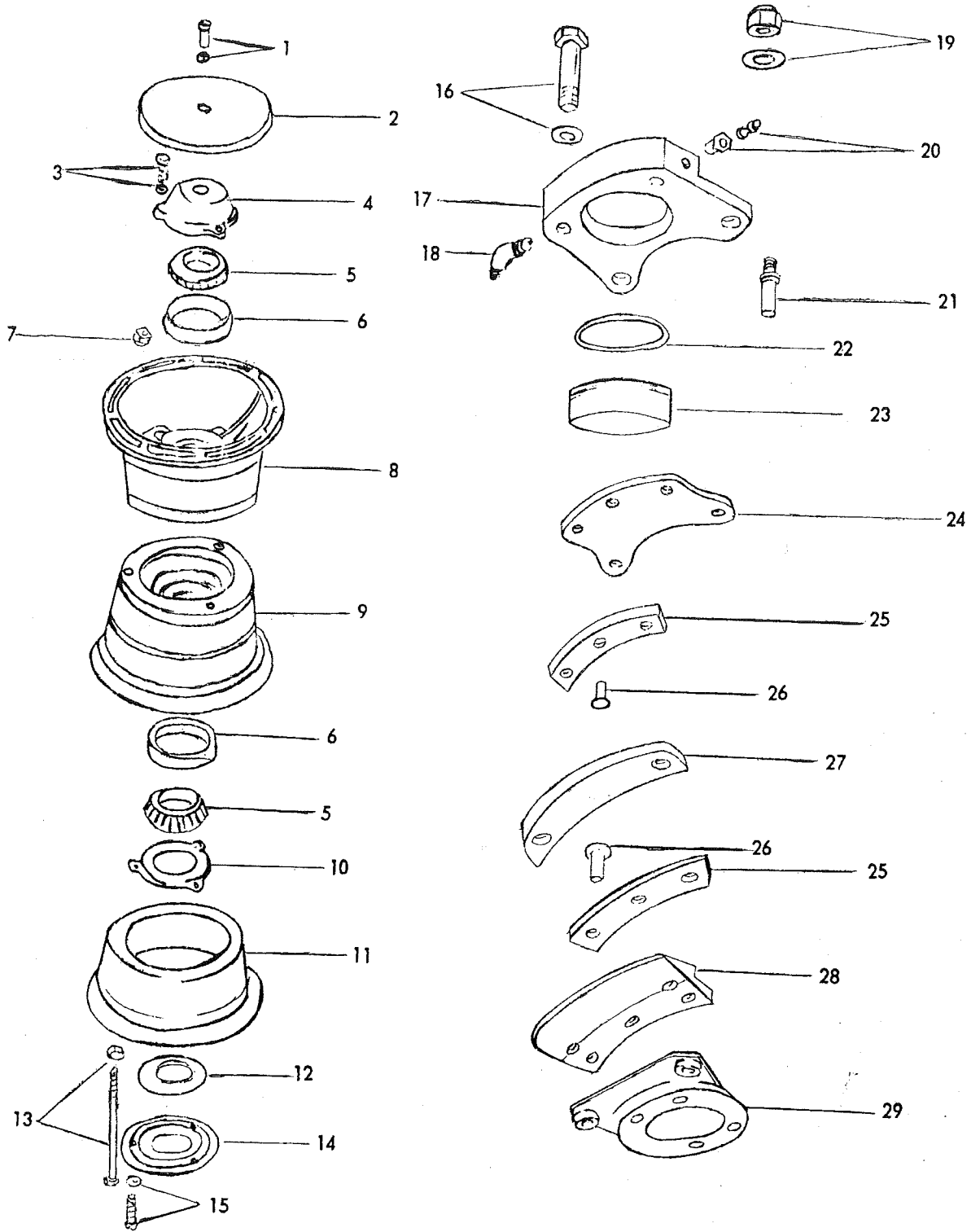




Fig.	Index	Parts No.	Description	Units Assy.
			WHEEL AND BRAKE DETAIL, M-20B	
4	1	AN 500-10-8	SCREW	1
		AN 936-A10	WASHER, Lock	1
	2	157-3	COVER, Dust	1
	3	AN 500-8-8	SCREW	3
		AN 936-A8	WASHER, Lock	3
	4	385-20A	CAP, Hub	1
	5	13889	BEARING CONE, Timken	1
	6	13836	BEARING CAP, Timken	1
	7	AN 365-428	NUT	3
	8	162-10	WHEEL HALF, Outer W/Bearing Cup	1
	9	161-4	WHEEL HALF, W/Bearing Cup Inner	1
	10	133-1	RING, Grease Seal	1
	11	164-1	DISC ASSEMBLY, Brake	1
	12	154-1	FELT WASHER, Grease Seal	1
	13	AN 4-36A	BOLT	3
		AN 960-416	WASHER	3
	14	156-1	SHIELD, Inner Dust	1
	15	AN 500-8-8	SCREW	3
		AN 936-A8	WASHER, Lock	3
	16	AN5H-14A	BOLT	2
		AN 960-516L	WASHER	2
	17	61-2	CYLINDER	1
	18	AN 823-4D	FITTING, Tube	1
	19	AN 365-624	NUT	2
		AN 960-616L	WASHER	2
	20	37-206	BUSHING, Bleeder	1
		FC 6446	SCREW, Bleeder	1
	21	3013	BOLT, Anchor	2
	22	AN 6227-29	"O" RING	1
	23	35-202	PISTON	1
	24	35-203	PLATE, Pressure	1
	25	35-204	LINING, Brake	2
	26	#561	RIVIT, Brake Lining	6
	27	35-206	SPACER	1
	28	64-3	PLATE, Back	1
	29	B 3014	PLATE, Torque	1

FIG. 25 -- WHEEL & BRAKE DETAIL, A-20C, D & E

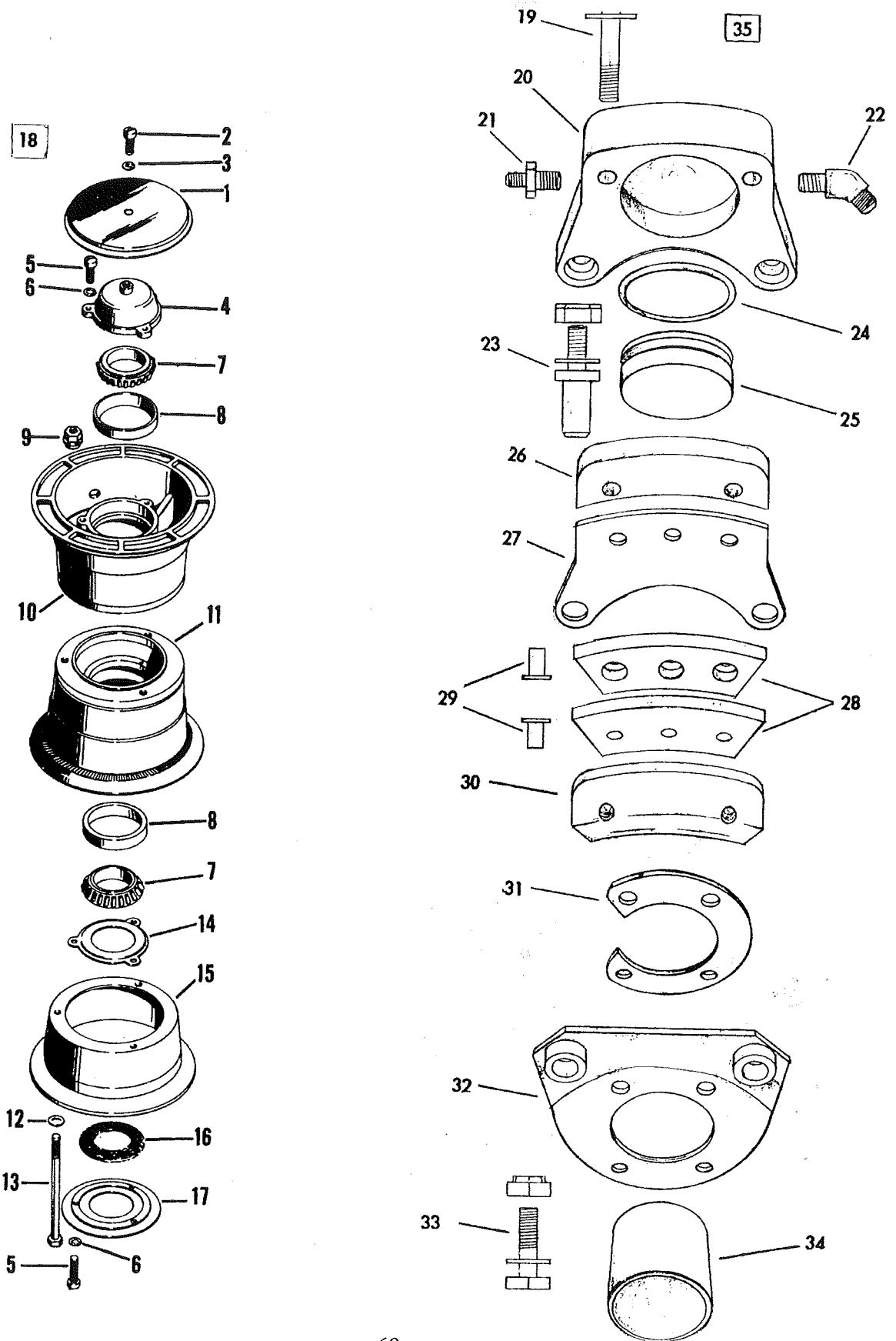




Fig.	Index	Parts No.	Description	Units Assy.
			WHEEL & BRAKE DETAIL, M-20C, D & E	1
25	1	157-3	DUST SHIELD	1
	2	AN500-10-8	SCREW	1
	3	AN936-A10	LOCKWASHER	1
	4	38520A	HUB CAP	6
	5	AN500-8-8	SCREW	6
	6	AN936-A8	LOCKWASHER	2
	7	13889	BEARING CONE, Timken	2
	8	13836	BEARING CUP, Timken	3
	9	42ND10-048	SPLINE-NUT (ESNA)	1
	10	162-10	OUTER WHEEL HALF ASSY. (With Bearing Cup and Spline-nuts)	1
	11	161-4	INNER WHEEL HALF ASSY. (With Bearing Cup)	3
	12	AN960-416	WASHER	3
	13	AN4-36A	BOLT	1
	14	153-1	GREASE SEAL RING	1
	15	164-1	BREAK DISK ASSEMBLY	1
	16	154-1	GREASE SEAL FELT WASHER	1
	17	156-1	INNER DUST SHIELD	1
	18	40-24	WHEEL ASSEMBLY	2
	19	AN5H-14A	BOLT	2
		AN960-516L	WASHER	1
	20	61-2	CYLINDER	1
	21	37-206	BUSHING, BLEEDER	1
		FC6446	SCREW, BLEEDER	1
		183-1	CAP, BLEEDER	1
	22	AN823-4D	TUBE FITTING	2
	23	AN364-624	NUT	2
		AN960-616L	WASHER	2
		3013	BOLT, ANCHOR	1
	24	AN6227-29	"O" RING	1
	25	35-202	PISTON	1
	26	35-206	SHIM	1
	27	35-203	PLATE, PRESSURE	2
	28	35-204	LINING	6
	29	561	RIVET	1
	30	64-3	PLATE, BACK	1
	31	5267-7	SPACER (.032 Matl.)	1
		5267-9	SPACER (.063 Matl.)	1

Fig.	Index	Parts No.	Description	Units Assy.
32		B3014	TORQUE PLATE ASSEMBLY	1
33		AN4-6A	BOLT	4
		AN363-428	NUT	4
		AN960-416	WASHER	4
34		5051-7	SPACER, Wheel (1 7/8" Long)	1
		5051-9	SPACER, Wheel (1.830" Long)	1
		5051-11	SPACER, Wheel (1 15/16" Long)	1
		5051-13	SPACER, Wheel (1.905" Long)	1
		5051-15	SPACER, Wheel (2.00" Long)	1
		5051-17	SPACER, Wheel (1.968" Long)	1
		5049	SPACER, Wheel (.120 Matl.)	1
35		30-5	BRAKE ASSY.	1

Handwritten text, possibly a page number or reference, located on the left side of the page.

FIG. 26 - GEAR RETRACTION SYSTEM

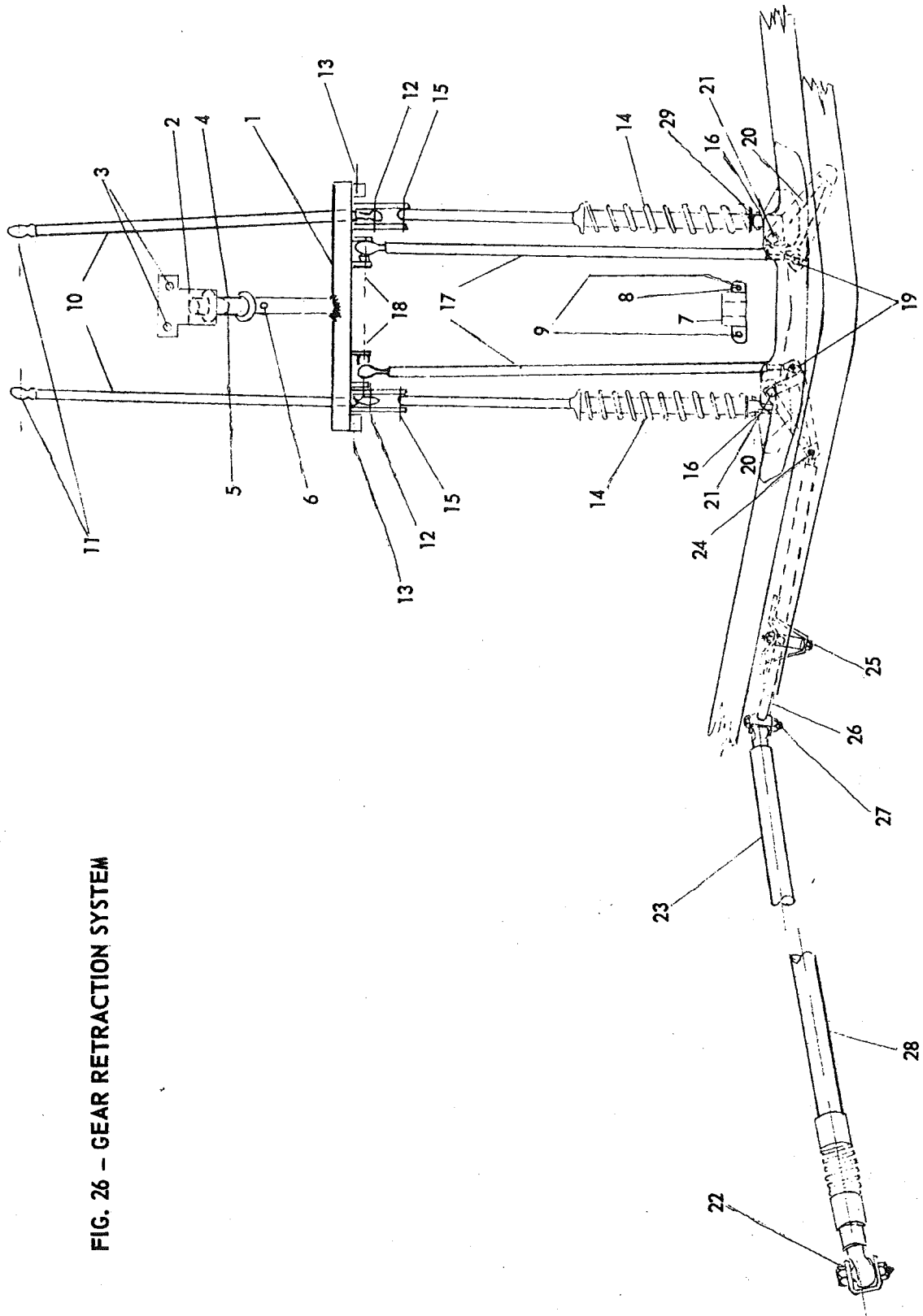




Fig.	Index	Parts No.	Description	Units Assy.
		5252	GEAR RETRACTION SYSTEM	
26	1	5059	HANDLE, Retraction	1
	2	5040	DOWN LOCK	1
		5286-501	DOWN LOCK	1
	3	AN 3-26A	BOLT	2
		AN 960-10	WASHER	2
		AN 363-1032	NUT	2
	4	5039	HANDLE, Grip	1
	5	5069	HANDLE	1
	6	AN 363-1032	NUT, Retaining	1
	7	5041	UP LOCK, Handle	1
	8	5043	SHIM	1
	9	AN 3-17A	BOLT	2
		AN 960-10	WASHER	2
		AN 365-1032	NUT	2
	10	5085	TUBE, Retraction	2
	11	AN 3-7A	BOLT	2
		AN 363-1032	NUT	2
		AN 3-10A	BOLT	2
		5270	BUSHING	4
		5271	WASHER	4
		AN 960-10L	WASHER	2
		AN 363-1032	NUT	2
	12	AN 3-10A	BOLT	2
		AN 363-1032	NUT	2
	13	7042-15	BUSHING	2
		AN 4-22A	BOLT	2
		AN 960-416	WASHER	2
		AN 365-428	NUT	2
	14	5042-3	CYLINDER ASSEMBLY, Bungee	2
	15	7042-1	BUSHING	2
		AN 3-10A	BOLT	2
		AN 960-10	WASHER	2
		AN 363-1032	NUT	2
	16	AN 3-13A	BOLT	2
		AN 960-10	WASHER	2
		AN 363-1032	NUT	2
	17	5242	TUBE, Retraction	2
	18	AN 3-13A	BOLT	2
		AN 960-10	WASHER	2
		AN 363-1032	NUT	2
	19	AN 3-7A	BOLT	2
		AN 363-1032	NUT	2

Fig.	Index	Parts No.	Description	Units Assy.
26	20	5034-3	BELLCRANK, Retraction, Left	1
		5034-4	BELLCRANK, Retraction, Right	1
	21	AN 4-26A	BOLT	2
		AN 960-416L	WASHER	2
		7042-16	BUSHING	2
		AN 960-416L	WASHER	2
		AN 365-428	NUT	2
	22	AN 3-7A	BOLT	2
		AN 363-1032	NUT	2
	23	5243	TUBE, Retraction	2
	24	AN 3-7A	BOLT	2
		AN 363-1032	NUT	2
	25	5262	BOLT	2
		7042-9	BUSHING	2
		AN 960-10	WASHER (Use to obtain proper clearance)	10
		AN 363-1032	NUT	2
	26	5241	TUBE, Retraction	2
	27	AN 3-13A	BOLT	2
		AN 960-10	WASHER	2
		AN 363-1032	NUT	2
	28	5244	TUBE, Retraction	2
	29	5225-7	BLOCK	1
		5225-8	BLOCK	1
		5225-9	BLOCK	1
		5225-10	BLOCK	1

FIG. 27 - HYDRAULIC BRAKE SYSTEM

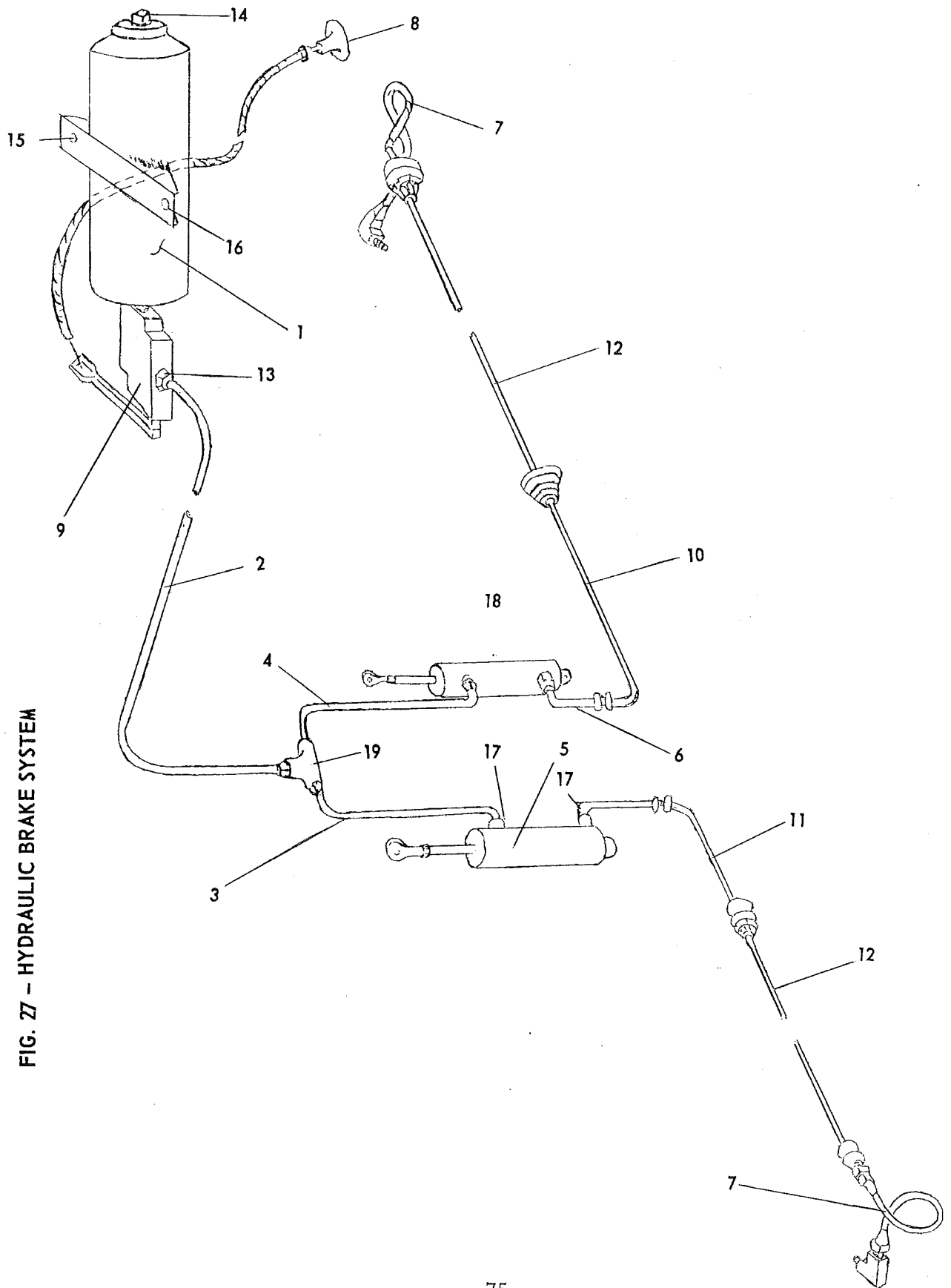




Fig.	Index	Parts No.	Description	Units Assy.
		7021	HYDRAULIC BRAKE SYSTEM	1
27	1	7116	RESERVOIR	1
		7309	RESERVOIR	1
	2	7021-7	LINE	1
	3	7021-9	LINE	1
	4	7021-15	LINE	1
	5	VI-15-625	CYLINDER, Master	2
	6	7021-25	LINE	1
	7	SF111-312- 312-4-34	HOSE	2
	8	64-032-140	CONTROL, Park Brake	1
		H&E1000-3	CONTROL, Park Brake	1
		653-032-10	CONTROL, Park Brake	1
	9	4200-A1	VALVE, Park Brake	1
	10	7021-23	LINE	1
	11	7021-21	LINE	1
	12	7021-19	LINE	1
		7021-29	LINE	2
	13	AN816-4D	FITTING	1
	14	7122	PLUG	1
	15	AN3-10A	BOLT	1
	16	AN3-4A	BOLT	1
	17	AN823-4D	FITTING	2
	18	AN822-4D	FITTING	2
	19	AN824-4D	FITTING	1



Fig.	Index	Parts No.	Description	Units Assy.
		7200	TRIM CONTROL SYSTEM, M-20B	
28	1	7216	FRONT ACTUATOR	1
	2	7257	TRIM STOP (Adjust after empennage installation)	1
	3	7251-7	JOINT, Universal	1
	4	7218-13	TUBE, Control	1
		7218-7	TUBE, Control	1
	5	AN 3-5A	BOLT	3
		AN 960-10	WASHER	3
	6	8522-13	DECAL	1
	7	7218-9	TUBE, Control	1
	8	7251-9	JOINT, Universal	3
	9	AN 393-23	PIN, Clevis	2
		AN 381-2-8	PIN, Cotter	2
		AN 363-1032	NUT	2
		AN 960-10	WASHER	3
		AN 960-10L	WASHER	2
	10	7218-11	TUBE, Control	1
	11	7219	TUBE, Control	1
	12	7252-3	PLATE, Bearing	1
	13	7252-1	PLATE, Bearing	1
	14	2283-9	BLOCK, Bearing	
	15	7251-11	JOINT, Universal	1
	16	7210	JOINT, Female Slip	1
	17	7217	ACTUATOR, Rear	1
	18	7054	WHEEL, Trim	1
	19	7056	SCREW, Trim	1
		7254	SCREW, Trim	1
	20	7051	SHAFT, Gear	1
	21	5543	BEARING, Nice	2
	22	7053	BLOCK, Trim	1
		7253	BLOCK, Trim	1
	23	AN 3-11A	BOLT	1
		AN 365-1032	NUT	1
	24	65-32	BUSHING	2
	25	7257	TRIM STOP	2
	26	NAS 5137	RING, Retaining	1
		AN 960-616L	WASHER	1

FIG. 29 - TRIM CONTROL SYSTEM, M-20C, D & E

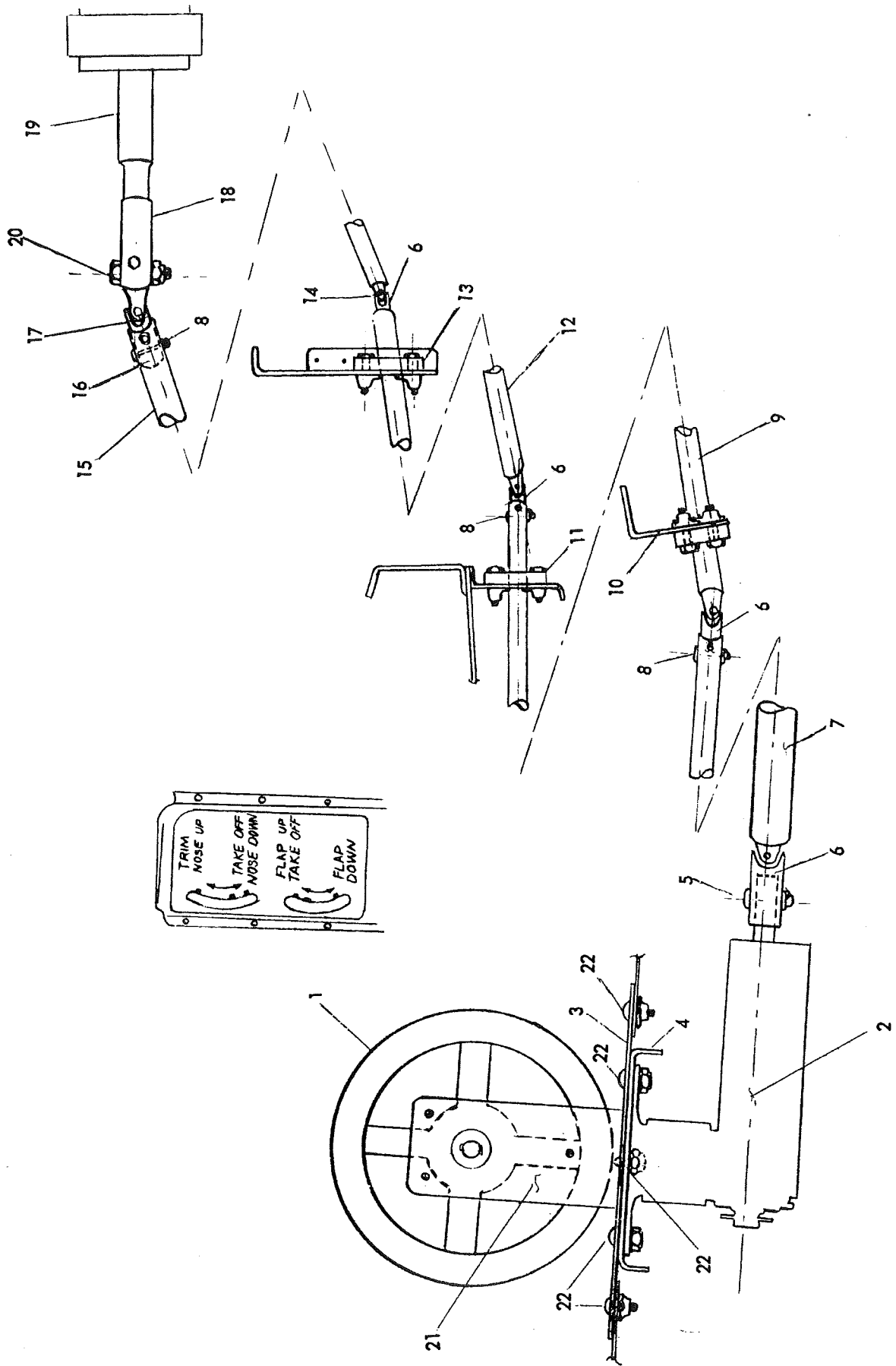




Fig.	Index	Parts No.	Description	Units Assy.
		7280	TRIM CONTROL SYSTEM, M-20C, D & E	
29	1	7333	WHEEL TRIM	1
	2	740002-1	ACTUATOR-ASSY	1
		740050-501	ACTUATOR ASSY.	1
		740085-503	ACTUATOR ASSY.	1
	3	7294	DOUBLER, Trim	1
	4	7329	STIFFENER, Trim	1
	5	AN392-19	PIN	1
		AN380-2-2	KEY	16
		AN960-4	WASHER	1
	6	MS20270B8	JOINT, Universal	4
	7	7281-7	TUBE	1
	8	AN392-25	PIN	16
		AN960-4L	WASHER	17
	9	7281-9	TUBE	1
	10	7252-3	PLATE, Bearing	1
	11	2283-9	BLOCK, Bearing	1
	12	7281-11	TUBE	1
	13	7252-1	PLATE, Bearing	1
	14	7281-17	BUSHING	7
	15	7281-13	TUBE	1
	16	7281-19	BUSHING	1
	17	7324-7	JOINT, Universal	1
	18	7210	SLIP JOINT-FEMALE	1
	19	7217	ACTUATOR, Trim (Rear)	1
	20	AN3CH-11	BOLT	2
		AN310-3	NUT	2
	21	7331-7	COVER (Royalite)	1
		7331-9	COVER (Royalite)	1
		740054-3	COVER (Royalite)	1
	22	AN515-8R8	SCREW	8

FIG. 30 - FLAP CONTROL SYSTEM, M-20B.

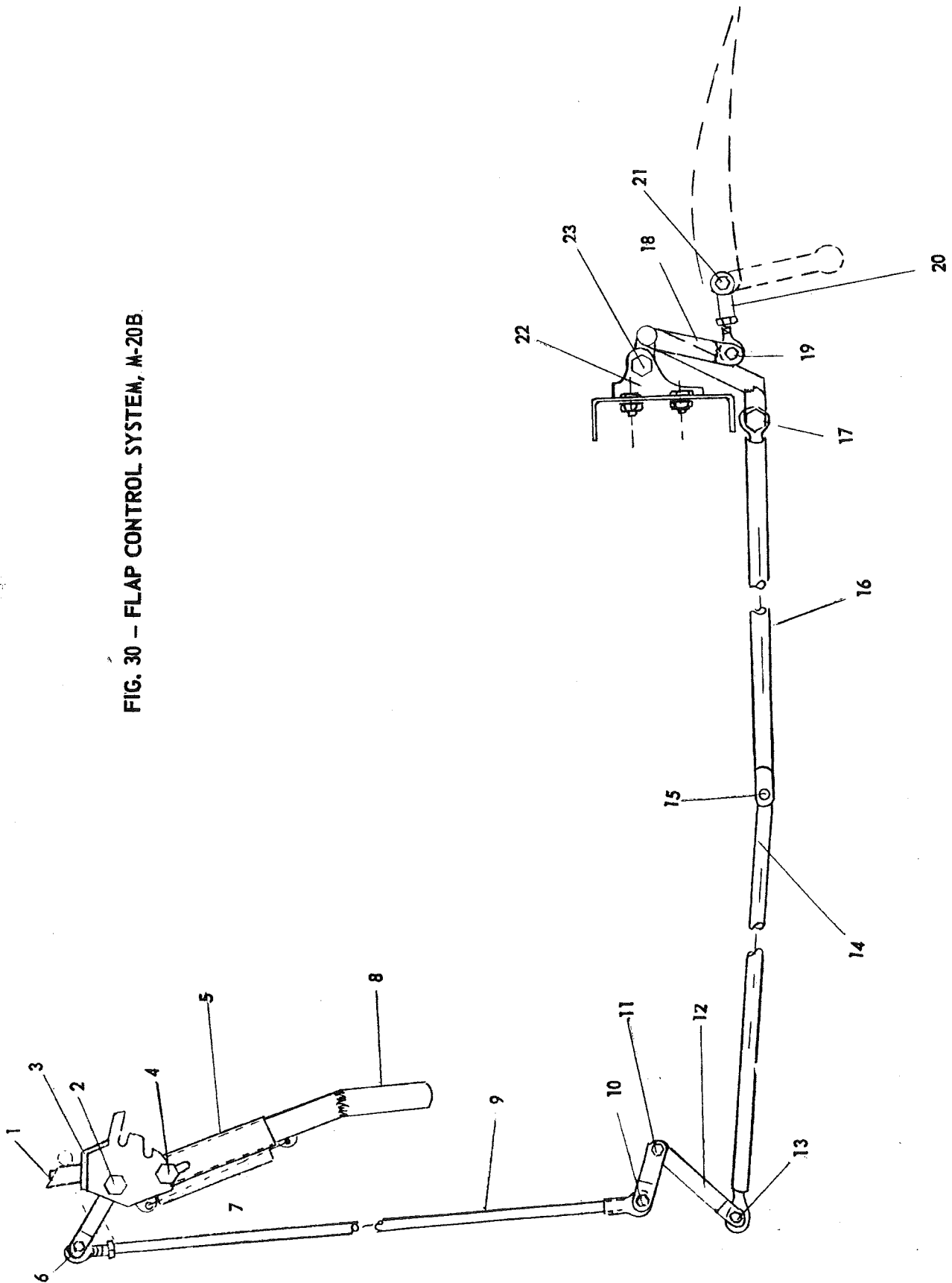




Fig.	Index	Parts No.	Description	Effective Point	Units Assy.
			FLAP CONTROL SYSTEM, M-20B		
30	1	AN 3-11A	BOLT		1
		AN 960-10	WASHER		2
		AN 365-1032	NUT		1
	2	AN 3-24A	BOLT		1
		AN 960-10	WASHER		2
		7042-4	BUSHING		1
		AN 365-1032	NUT		1
	3	7076	HOUSING, Flap Control Handle		1
	4	AN 3-12A	BOLT		1
		7042-12	BUSHING		2
		7042-2	BUSHING		1
		AN 365-1032	NUT		2
	5	7079	SOCKET, Flap Handle		1
	6	AN 23-14A	BOLT, Clevis		1
		AN 365-1032	NUT		1
	7	7099	SPRING, Handle, Flap Control		1
	8	7123	HANDLE, Flap Control		1
	9	7224-6	CONTROL TUBE, Flap Center Crank		1
			LINK		1
	10	AN 3-7A	BOLT		1
		AN 365-1032	NUT		1
	11	AN 3-37A	BOLT		1
		7042-11	BUSHING		1
		AN 960-10	WASHER		2
		AN 365-1032	NUT		1
	12	7075	CRANK, Flap Control		1
	13	AN 3-7A	BOLT		1
		AN 365-1032	NUT		1
	14	7097	CONTROL TUBE, Flap Front Link		1
	15	AN 393-21	PIN, Clevis		1
		AN 960-10	WASHER		1
		AN 380-2-2	PIN, Cotter		1
	16	7098	CONTROL TUBE, Flap Rear Link		1
	17	AN 3-7A	BOLT		1
		AN 365-1032	NUT		1
	18	7074	JACKSHAFT, Flap		1
	19	AN 3-7A	BOLT		2
		AN 365-1032	NUT		2
	20	7100	FLAP LINK, Flap Control System		1
	21	AN 3-7A	BOLT		2
		AN 365-1032	NUT		2

Fig.	Index	Parts No.	Description	Units	Assy.
30	22	7238	BRACKET, Flap Torque Tube	939	1
	23	AN 3-11A	BOLT	939	3
		7042-2	BUSHING	939	3
		AN 960-10	WASHER	939	3
		AN 365-1032	NUT	939	3



Fig.	Index	Parts No.	Description	Units Assy.
31		7300	HYDRAULIC FLAP CONTROL SYSTEM, M-20C, D & E	
	1	7309	RESERVOIR	1
	2	816-8D	NIPPLE	1
		AN 818-6D	NUT	1
		AN819-60	SLEEVE	1
	3	7300-11	LINE	1
	4	MS 21919-G6	CLAMP	1
	5	MS 21919-DG8	CLAMP	1
		AN 363-1032	NUT	1
		AN 960-10L	WASHER	1
		AN 520-10-10	SCREW	1
		AN 960-10L	WASHER	1
	6	SF 193-311-311- 6-20	HOSE	1
	7	AN 815-6D	UNION	1
		AN 818-6D	NUT	1
		AN 819-6D	SLEEVE	1
	8	H & E 626	PUMP AND VALVE ASSEMBLY	1
	9	D 131	WESTERN CONTROL	1
	10	AN 816-6-2D	NIPPLE	1
	11	AN 3-12A	BOLT	1
		AN 960-10L	WASHER	1
		7042-3	BUSHING	1
		AN 960-416	WASHER	4
		AN 960-10L	WASHER	1
		AN 960-10	WASHER	1
		AN 365-1032	NUT	1
	12	AN 816-4D	NIPPLE	1
	13	AN 742-3	CLAMP	1
		AN 526-1032R8	SCREW	1
		AN 960-10	WASHER	1
		AN 742-8	CLAMP	1
		AN 363-1032	NUT	1
	14	H & E 1005	CONTROL, Flap Release	1
		W-37-2	CONTROL CABLE	1
		032B	CASING	1
		NT-141	CASING NUT	2
		850011-9	BRACKET	1
		850011-1	LEVER ASSY.	1
		AN 960-10	WASHER	1

Fig.	Index Parts No.	Description	Units Assy.
	AN 320-3	NUT	1
	AN 960-416L	WASHER	1
	AN 960-416	WASHER	1
	914037-3	BUSHING	1
	914038-3	BOLT	1
15	7314	FLAP HANDLE AND BRACKET ASSEMBLY	1
16	AN 742-10	FITTING	1
	AN 742-3	NUT	1
	AN 526-1032R-6	SCREW	1
	AN 960-10	WASHER	1
	AN 365-1032	NUT	1
17	SF 111-312-312- 4-27	HOSE	1
18	MS 21919-DG-8	CLAMP	1
	AN 363-1032	NUT	1
	AN 960-10	WASHER	1
	8022-5	BUSHING	1
	AN 3-13	BOLT	1
	AN 960-10L	WASHER	1
19	AN 931-12-17	GROMMET	1
20	AN 818-40	NUT	1
	AN 819-4D	SLEEVE	1
21	7300-9	LINE	1
22	AN 818-4D	NUT	1
	AN 819-4D	SLEEVE	1
23	SF 111-312-312- 4-12	HOSE	1
24	H & E 625	CYLINDER, Hydraulic	1
25	F35-14	BEARING, Heim	1
	AN 316-5R	CHECK NUT	1
26	AN 3-15A	BOLT	1
	AN 960-10L	WASHER	3
	AN 960-416	WASHER	4
	7042-2	BUSHING	1
	AN 365-1032	NUT	1
	8022-2	BUSHING	1
27	AN 3-10	BOLT	1
	AN 960-10	WASHER	1
	AN 310-3	NUT	1
	AN 960-10L	WASHER	2
	380-2-2	PIN, Cotter	1



Fig.	Index	Parts No.	Description	Units Assy.
28		7339	SPRING, Flap Retraction	1
29		7307	JACKSHAFT, Flap	1
30		F34-14	BEARING, Heim	1
		M34-14	BEARING, Heim	1
		AN 316-4R	NUT	1
31		AN 3-7A	BOLT	2
		AN960-10	WASHER	2
		AN 365-1032	NUT	2
32		7310	BRACKET, Attach.	1

FIG. 32 - ELEVATOR & AILERON CONTROL SYSTEM

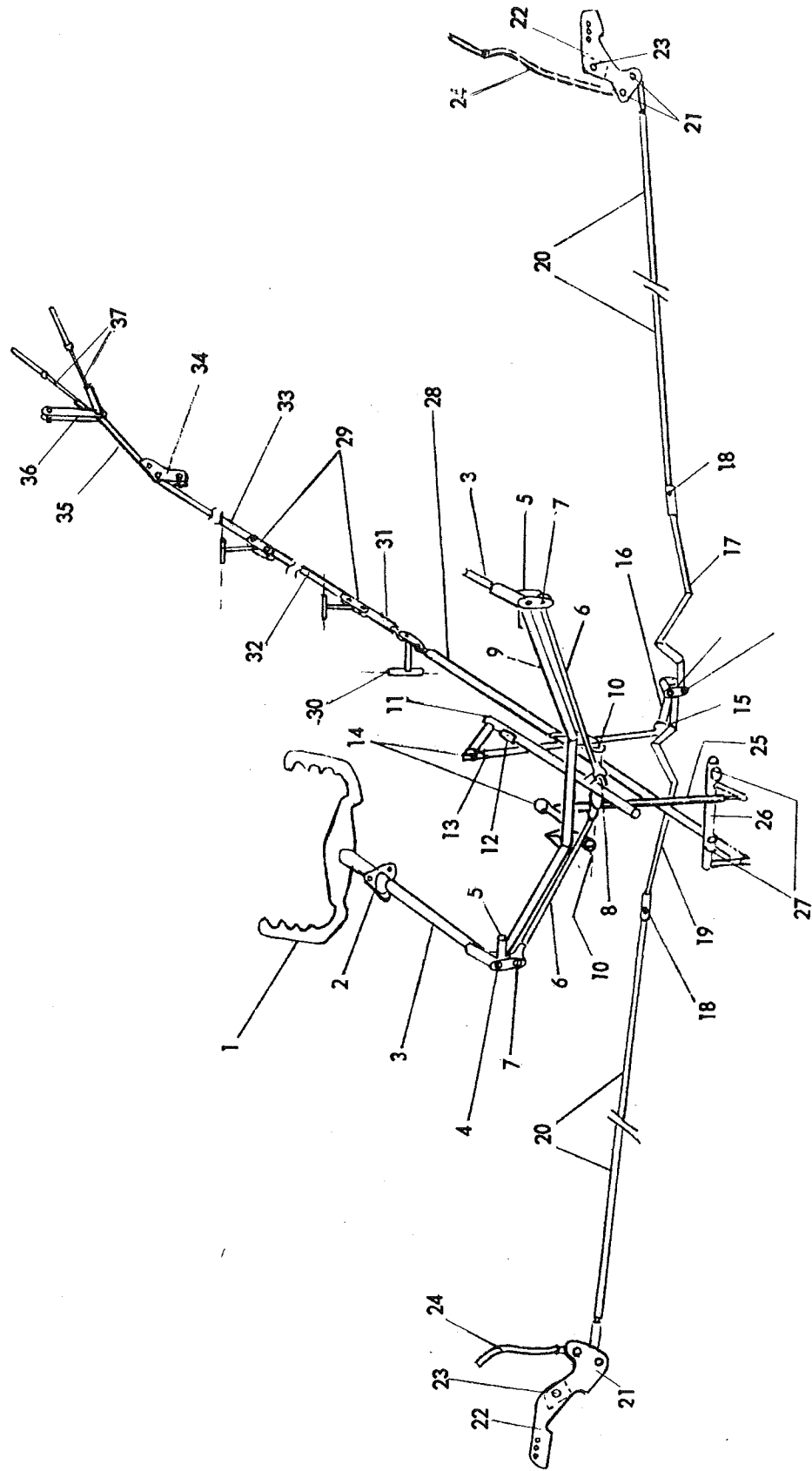




Fig.	Index	Parts No.	Description	Units Assy.
		7247	ELEVATOR & AILERON CONTROL SYSTEM	
32	1	8571	WHEEL, Control	2
		AN 3-14A	BOLT	2
		AN 960-10L	WASHER	2
		AN 363-1032	NUT	2
		AN 565-D416-114	SET SCREW	2
	2	0411225	SOCKET	2
		710013-3	SOCKET	2
		7030	BALL	2
	3	7057-1	COLUMN, Control Left	1
		7057-2	COLUMN, Control Right	1
	4	7042-4	BUSHING	2
		AN 3-13A	BOLT	2
		AN 363-1032	NUT	2
	5	7042-22	BUSHING	2
		AN 4-27A	BOLT	2
		AN 363-428	NUT	2
		AN 960-4166	WASHER	2
		7025	WASHER (Under Bolt Head)	2
	6	7085	TUBE, Control	2
	7	AN 3-14A	BOLT	2
		AN 360-10	WASHER	2
		AN 363-1032	NUT	2
	8	AN 3-10A	BOLT	2
		AN 363-1032	NUT	2
	9	7058	YOKE, Control	1
	10	7042-14	BUSHING	2
		AN 4-11A	BOLT	2
		AN 960-416	WASHER	2
		AN 365-428	NUT	2
	11	7059	JACKSHAFT, Control	1
	12	B-47	BEARING	4
		7042-4	BUSHING	2
		AN 3-13A	BOLT	2
		AN 363-1032	NUT	2
	13	7084	TUBE, Control	1
	14	AN 3-7A	BOLT	2
		AN 960-10	WASHER	2
		AN 363-1032	NUT	2
	15	AN 3-7A	BOLT	2
		AN 960-10	WASHER	4
		AN 363-1032	NUT	2
	16	7067	BELLCRANK, Aileron	1

Fig.	Index	Parts No.	Description	Units Assy.
32	17	7270	LINK CONTROL	1
	18	AN 393-21	PIN, Clevis	2
		AN 960-10	WASHER	2
		AN 380-2-2	PIN, Cotter	2
	19	7271	TUBE, Control	1
	20	7246	TUBE, Control	2
	21	AN 3-11A	BOLT	4
		AN 960-10L	WASHER (Under Bolt Head)	4
		AN 960-10L	WASHER (Between Helm and 4263)	4
		AN 960-10	WASHER (Under Nut)	4
		AN 363-1032	NUT	4
	22	7263	BELLCRANK	2
	23	7042-27	BUSHING	2
		AN 4-25A	BOLT	2
		AN 960-416L	WASHER (Under Bolt Head)	2
		AN 960-5166	WASHER (Between 7263 and 2183)	2
		AN 960-416	WASHER (Under Nut)	2
		AN 363-428	NUT	2
	24	7241	TUBE, Control	2
	25	7084	TUBE, Control	1
	26	7073	JACKSHAFT	1
	27	7042-1	BUSHING	2
		AN 3-7A	BOLT	2
		AN 363-1032	NUT	2
	28	7243	TUBE, Control	1
	29	7022	WALKING BEAM	2
	30	7272	BELLCRANK	1
	31	7242-1	TUBE, Control	1
	32	7101	TUBE, Control	1
	33	7236-1	TUBE, Control	1
		915010-501	TUBE, Control	1
	34	7221	BRACKET	1
	35	7224-3	TUBE, Control	1
	36	7223	BRACKET	1
	37	7224-5	TUBE, Control	2



Fig.	Index	Parts No.	Description	Units Assy.
		7248	RUDDER BRAKE AND NOSE WHEEL CONTROL SYSTEM	
33	1	7042-1	BUSHING	4
		AN 3-7A	BOLT	4
		AN 960-10	WASHER	8
		AN 363-1032	NUT	4
	2	AN 3-10A	BOLT	7
		AN 960-10L	WASHER	14
		AN 365-1032	NUT	7
	3	7114	LINK, Steering	1
		M 34-14	BEARING, Heim	1
		AN 316-4R	NUT	1
	4	AN 3-14A	BOLT	1
		AN 960-10	WASHER	3
		AN 363-1032	NUT	1
	5	7066	TUBE, Rudder Torque	1
	6	7132	TUBE, Rudder Torque	2
	7	7042-8	BUSHING	1
		AN 3-23A	BOLT	1
		AN 960-10	WASHER	1
		AN 363-1032	NUT	1
	8	AN 3-7A	BOLT	1
		AN 363-1032	NUT	1
	9	7065-1	PEDAL, Rudder, Left (Right Seat)	1
	10	7042-6	BUSHING	1
		AN 3-17A	BOLT	1
		AN 960-10	WASHER	2
		AN 363-1032	NUT	1
	11	AN 3-10A	BOLT	1
		AN 363-1032	NUT	1
	12	7042-7	BUSHING	1
		AN 3-20	BOLT	1
		AN 960-10	WASHER	2
		AN 310-3	NUT	1
		AN 380-2-2	PIN, Cotter	1
	13	7125	PEDAL, Brake	2
		7332-7	PEDAL, Brake	2
	14	7042-10	BUSHING	1
		AN 3-30A	BOLT	1
		AN 960-10	WASHER	2
		AN 363-1032	NUT	1
	15	7022	BEAM, Walking	3
	16	7244	TUBE, Control	1
	17	7242-1	TUBE, Control	1

Fig.	Index	Parts No.	Description	Units Assy.
33	18	7018	ROD, Brake Control	2
	19	7132	CONTROL, Rudder	2
	20	AN 393-61	PIN, Clevis	2
		AN 960-10	WASHER	2
		AN 380-2-2	PIN, Clevis	2
	21	VI-15-625	CYLINDER, Master	2
	22	AN 393-11	PIN, Clevis	2
		AN 393-13	PIN, Clevis	2
		AN 960-10L	WASHER	4
		AN 380-2-2	PIN, Cotter	4
	23	7150	HORN ASSEMBLY, Steering	1
	24	7063-1	RUDDER PEDAL, Pilot, Left	1
		7330-1	RUDDER PEDAL, Pilot, Left	1
	25	7064	CRANK ASSEMBLY, Brake	2
	26	AN 23-15	BOLT	1
		AN 320-3	NUT	1
		AN 380-2-2	PIN, Cotter	1
	27	7063-2	RUDDER PEDAL, Pilot, Right	1
		7330-2	RUDDER PEDAL, Pilot, Right	1
	28	7065-2	RUDDER PEDAL, Right (Right Seat)	1
	29	7038	UNIT, Trim Assist	1
		740044-503	UNIT, Trim Assist	4
	30	AN 23-13A	BOLT	2
		AN 970-3	WASHER (Between Bolt Head and Floor)	2
		AN 970-3	WASHER (Between Bolt Head and Floor and 7019)	2
		AN 960-10	WASHER	6
		AN 363-1032	NUT	2
	31	7101	TUBE, Control	1
	32	7236-3	TUBE, Control	1
		915010-503	TUBE, Control	1
	33	7220	BELLCRANK, Rudder	1
	34	7224-1	TUBE, Control	1
	35	7222	BELLCRANK, Rudder	1
	36	7235	TUBE, Control	1

FIG. 34 - STABILIZER & STINGER ASSEMBLY

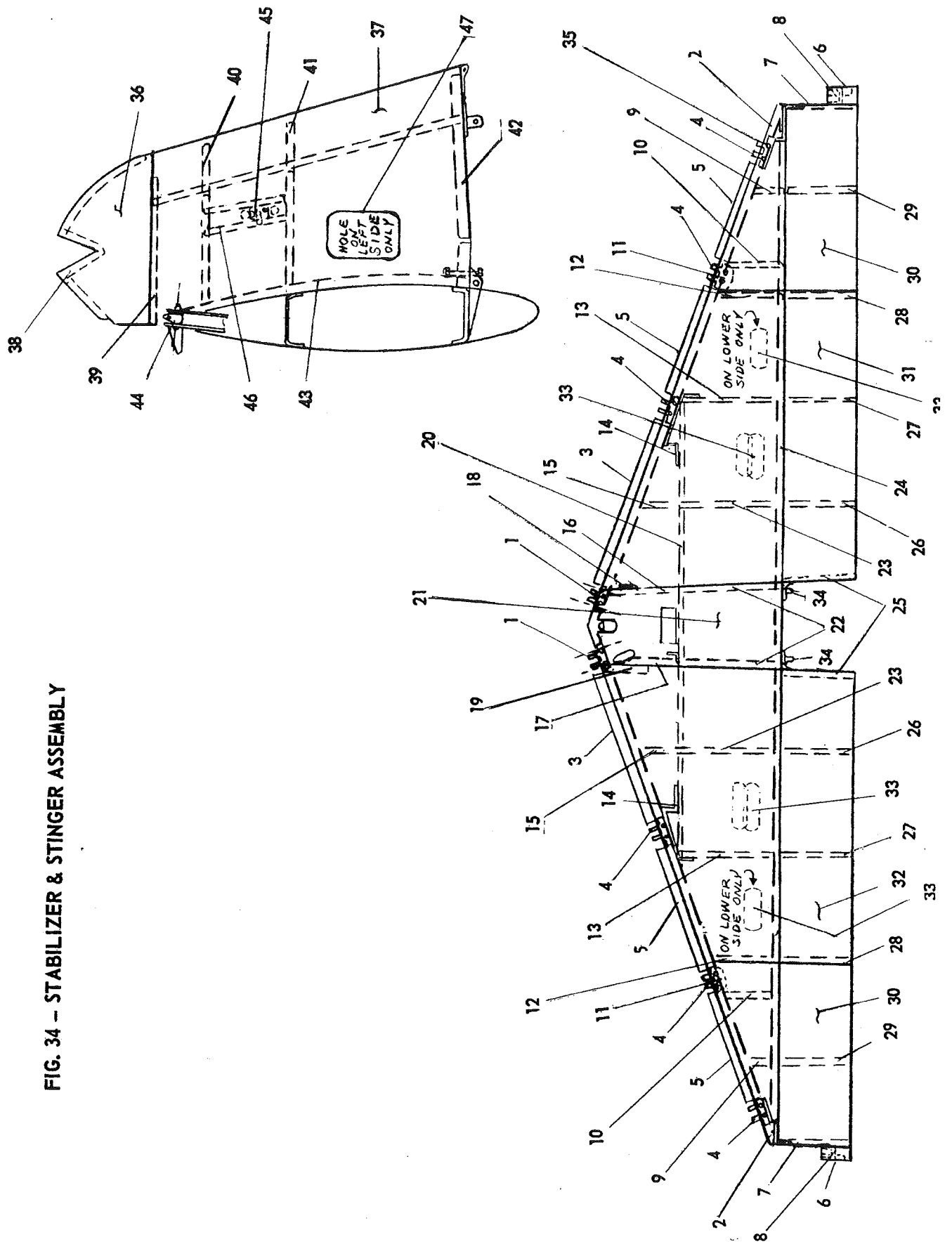




Fig.	Index	Parts No.	Description	Units Assy.
		4102	STABILIZER AND STINGER ASSEMBLY	
34	1	4144-11	HINGE	2
	2	4131	SPAR, Rear	2
		4211-7	SPAR, Rear	2
	3	4172-11	SEAL, Gap	2
	4	4144-9	HINGE	6
	5	4172-13	SEAL, Gap	4
	6	4120	RIB	2
	7	4121	RIB	2
	8	4134	BRACKET	1
	9	4122-9	RIB	2
	10	4199	RIB	2
	11	4193	BRACKET	2
	12	4123	RIB	2
		4123-7	RIB	2
		4123-9	RIB	2
	13	4124	RIB	2
		4124-7	RIB	2
		4124-9	RIB	2
	14	4138	BRACKET	1
	15	4125	RIB	2
		4125-7	RIB	2
		4125-9	RIB	2
		4125-11	RIB	2
	16	4127-	RIB	1
		4127-7	RIB	1
		4127-8	RIB	1
		4127-9	RIB	1
		4127-10	RIB	1
	17	4127-10	RIB	1
	18	4128-7	BRACKET	1
	19	4128-9	BRACKET	1
	20	4130	SPAR ASSEMBLY, Stub	1
	21	4102-13	SKIN	2
	22	4127-7	RIB, Left	1
		4127-8	RIB, Right	1
	23	4125-9	RIB	2
	24	4129	SPAR ASSEMBLY	1
	25	4126	RIB	2
	26	4125	RIB	2
	27	4124-7	RIB	2
	28	4123-7	RIB	2
	29	4122-7	RIB	2
	30	4102-7	SKIN	2
	31	4102-9	SKIN	1
		4102-23	SKIN	1

Fig.	Index Parts No.	Description	Units Assy.
32	4102-11	SKIN	1
	4102-25	SKIN	1
33	2258-1	COVER, Inspection	4
	2313-3	COVER, Inspection	4
	8730-501	COVER, Inspection	4
34	4119	BRACKET	2
35	AN 23-30A	BOLT	14
	AN 960-10L	WASHER	28
	AN 363-1032	NUT	14
34	36 4102-19	SKIN	1
	37 4102-17	SKIN	1
	38 3290	BRACKET, Light	2
	39 4148	BULKHEAD ASSEMBLY	1
	40 4145	BULKHEAD ASSEMBLY	1
	41 4146	BULKHEAD ASSEMBLY	1
	42 4147	BULKHEAD ASSEMBLY	1
	43 4149-7	LONGERON, Left	1
	4149-8	LONGERON, Right	1
	44 4144-11	HINGE, Elevator	1
	45 7227	BELLCRANK	1
	7320-1	BELLCRANK	1
	46 4153	SUPPORT	1
	4153-1	SUPPORT	1
	4153-2	SUPPORT	1
	46 4153	SUPPORT	1
	47 2243-1	COVER, Inspection	1
	2327-1	COVER, Inspection	1

FIG. 35 - FIN ASSEMBLY

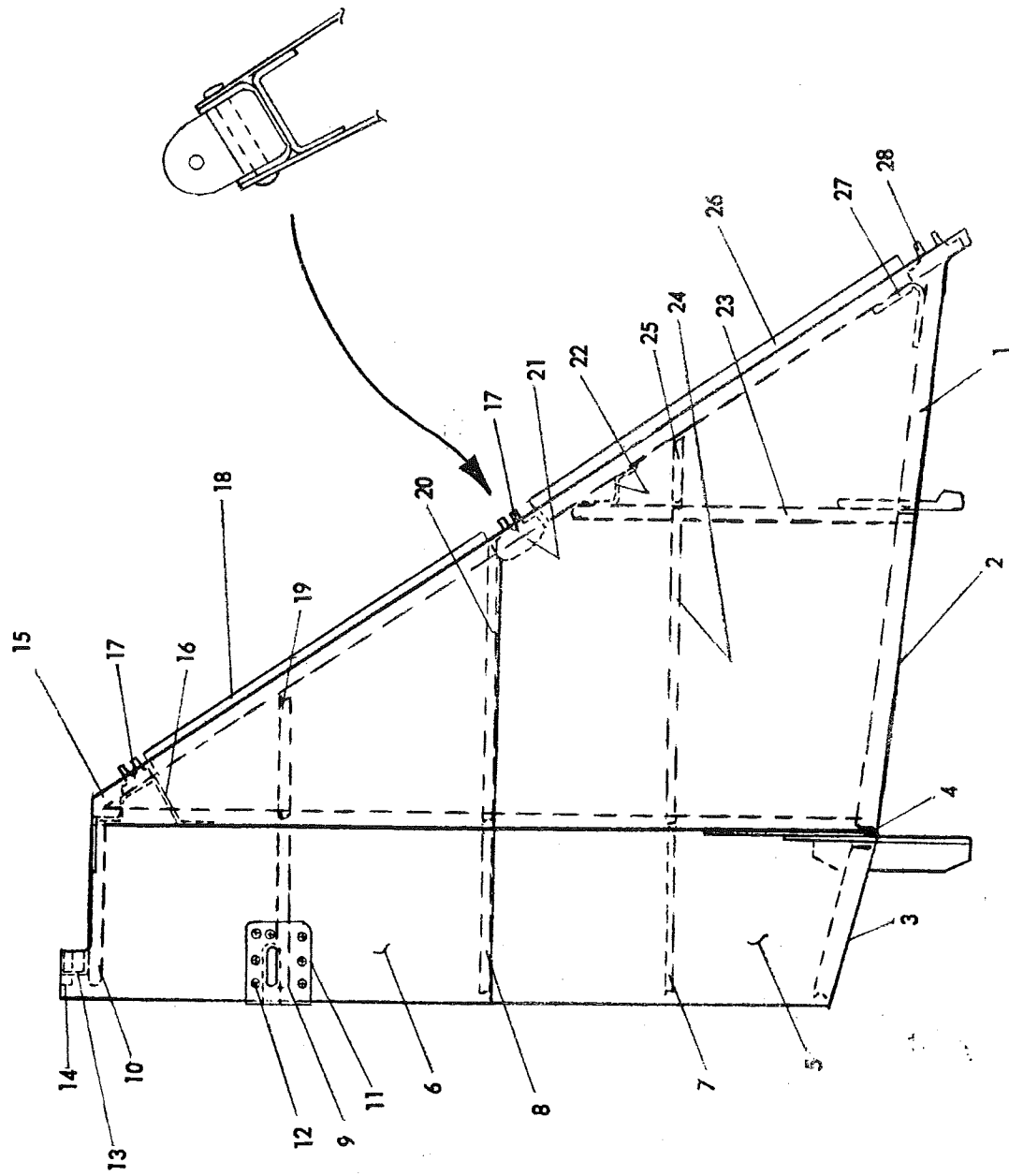




Fig.	Index	Parts No.	Description	Units Assy.
		4101	FIN ASSEMBLY	
35	1	4109	RIB	1
	2	4108	RIB	1
	3	4107	RIB	1
	4	4116	SPAR, Fin	1
	5	4101-9	SKIN	1
	6	4101-7	SKIN	1
	7	4114-7	RIB	1
	8	4113-7	RIB	1
	9	4112-7	RIB	1
	10	4111	RIB	1
	11	4171	COVER	1
	12	AN 526-C632R-5	SCREW	14
	13	4134	BRACKET	1
	14	4110	RIB	1
	15	4118	SPAR, Rear	1
		4212-7	SPAR, Rear	1
	16	4133	BRACKET	1
	17	4144-9	HINGE	2
	18	4172-7	SEAL, Gap	1
	19	4112-9	RIB	1
	20	4113-9	RIB	1
	21	4135	BRACKET	1
	22	4132	BRACKET	1
	23	4117	SPAR, Stub	1
	24	4114-9	RIB	1
	25	4114-11	RIB	1
	26	4172-9	SEAL, Gap	1
	27	4137	CLIP	1
	28	4144-13	HINGE	1

FIG. 36 - ELEVATOR ASSEMBLY & RUDDER ASSEMBLY

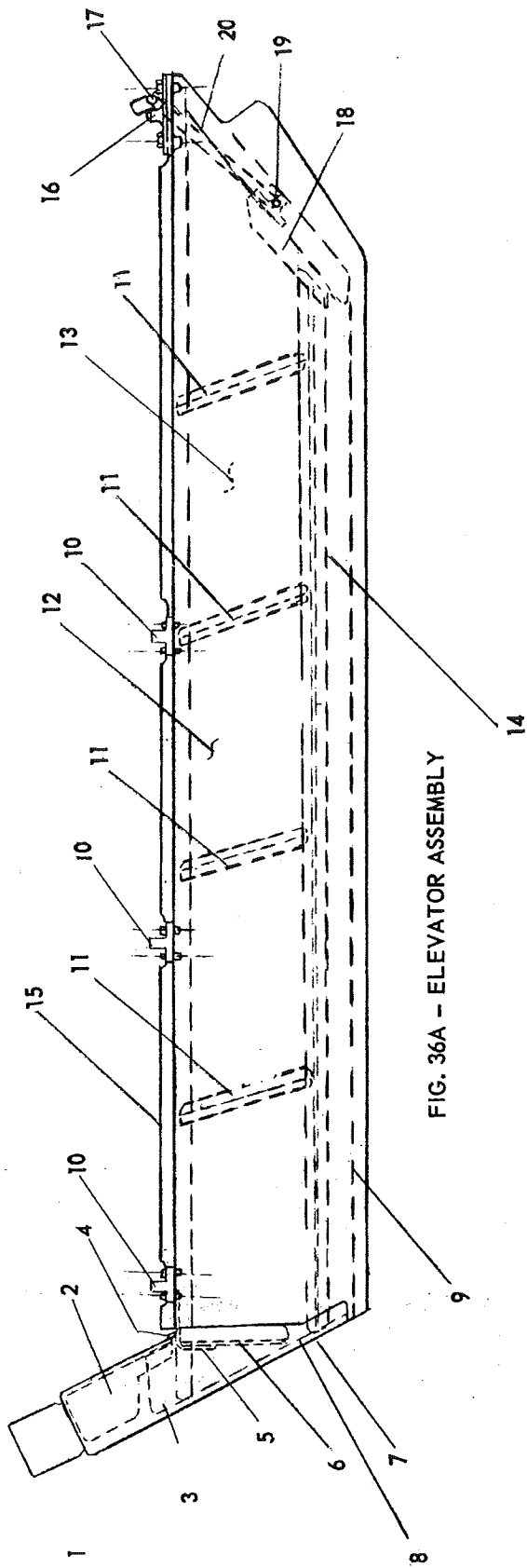


FIG. 36A - ELEVATOR ASSEMBLY

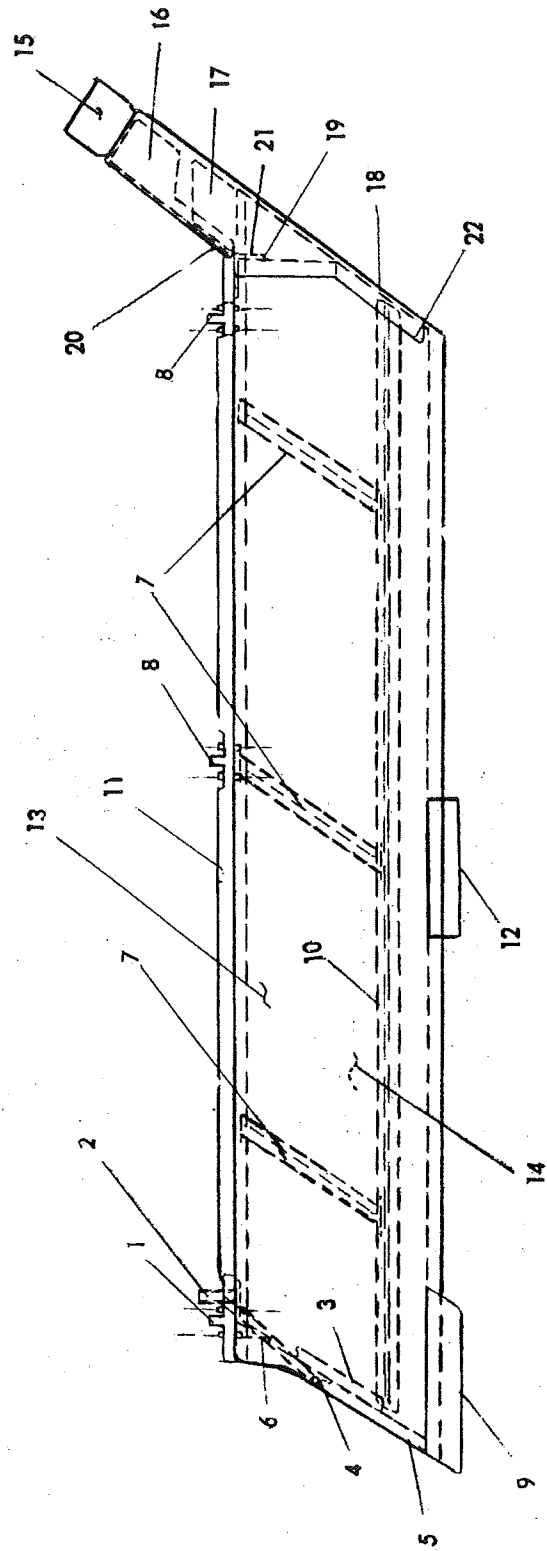


FIG. 36B - RUDDER ASSEMBLY



Fig.	Index	Parts No.	Description	Units Assy.
			ELEVATOR ASSEMBLY	
		4103-1	ELEVATOR ASSEMBLY, Left	1
		4103-5	ELEVATOR ASSEMBLY, Left	1
		4103-2	ELEVATOR ASSEMBLY, Right	1
		4103-6	ELEVATOR ASSEMBLY, Right	1
36 A	1	4180	WEIGHT, Balance	1
	2	4165	RIB	1
	3	4166	DOUBLER	1
	4	4162-17	CLIP	1
	5	4162-15	CLIP	1
	6	4167	RIB	1
	7	4164	RIB	1
	8	4198	BLOCK	1
	9	4197-7	CHANNEL	1
	10	4143-3	HINGE	3
	11	4157-7	RIB	4
	12	4103-7	SKIN, Upper	1
		4103-12	SKIN, Upper	1
	13	4103-9	SKIN, Lower	1
		4103-13	SKIN, Lower	1
	14	4195-7	SPAR, Rear	1
	15	4152	SPAR, Main	1
	16	4143-1	HINGE	1
	17	4170-1	HORN, Elevator, Left	1
		4170-2	HORN, Elevator, Right	1
	18	4196-7	CHANNEL	1
	19	4185	FITTING	1
	20	4168	RIB	1

Fig.	Index	Parts No.	Description	Units Assy.
		4104-3	RUDDER ASSEMBLY	
36 B	1	4143-1	HINGE	1
	2	4169	HORN ASSEMBLY	1
	3	4196-9	CHANNEL	1
	4	4185	STIFFENER	1
	5	4161	RIB	1
	6	4162-11	CLIP	1
	7	4157-9	RIB	3
	8	4143-3	HINGE	2
	9	4191	TAB	1
	10	4195-11	SPAR, Rear	1
	11	4151	SPAR	1
	12	4105	BEAD	1
	13	4104-11	SKIN, Left	1
	14	4104-12	SKIN, Right	1
	15	4181	COUNTER BALANCE	1
		4206-7	COUNTER BALANCE	1
	16	4160	RIB	1
	17	4159	SUPPORT	1
	18	4163	RIB	1
	19	4158	RIB	1
	20	4162-9	CLIP	1
	21	4162-7	CLIP	1
	22	4198	BLOCK	1

FIG. 37 - EMPENNAGE INSTALLATION

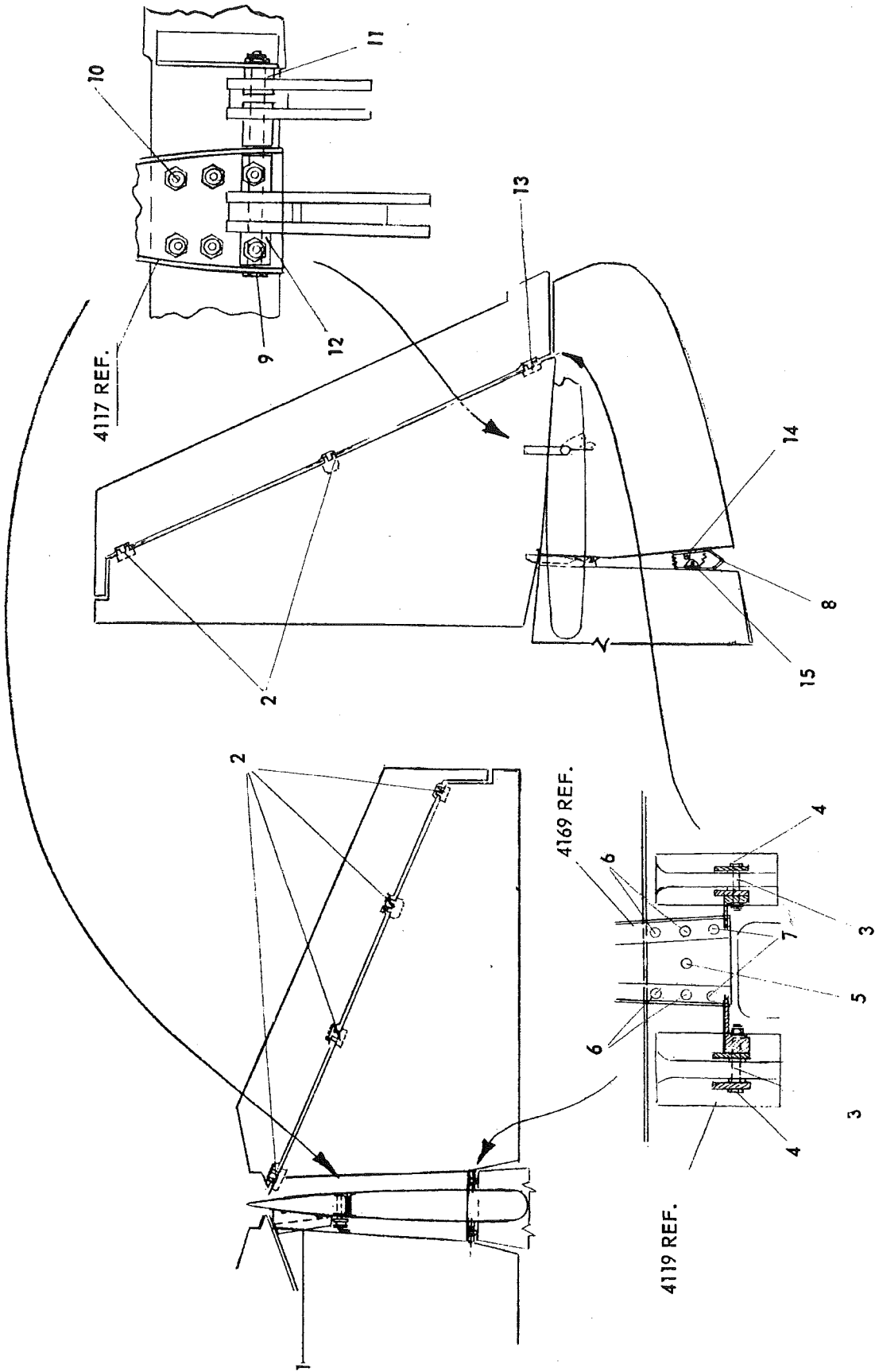




Fig.	Index	Parts No.	Description	Units Assy.
		4100	EMPENNAGE INSTALLATION	
37	1	4182	FAIRING, Control Tube	1
	2	AN 3-11A	BOLT	4
		AN 960-10L	WASHER	8
		AN 365-1032	NUT	4
	3	7042-24	BUSHING	2
	4	AN 174-20A	BOLT	2
		AN 960-416	WASHER	6
		AN 365-428	NUT	2
	5	AN 3-5A	BOLT	1
		AN 960-10	WASHER	2
		AN 365-1032	NUT	1
	6	AN 4-7A	BOLT	4
		AN 960-416	WASHER	8
		AN 365-428	NUT	4
	7	AN 4-10A	BOLT	2
		AN 960-416	WASHER	4
		AN 960-416L	WASHER	2
		AN 365-428	NUT	2
	8	4155-21	PIN, Hinge	1
		AN 381-2-6	PIN, Cotter	2
		4190	WASHER	4
	9	AN 3-40A	BOLT	1
		AN 960-10L	WASHER	6
		AN 365-1032	NUT	1
	10	AN 3-5A	BOLT	6
		AN 960-10	WASHER	12
		AN 365-1032	NUT	6
	11	7042-25	BUSHING	1
	12	7042-26	BUSHING	1
	13	AN 3-12A	BOLT	1
		AN 960-10L	WASHER	2
		AN 365-1032	NUT	1
	14	AN 5H15	BOLT	1
		AN 960-516	WASHER	2
		AN 310-5	NUT	1
		995F51	LOCK WIRE	1
	15	AN 5H32	BOLT	1
		AN 960-516	WASHER	1
		AN 310-5	NUT	1
		995-F51	LOCK WIRE	1

FIG. 38 - ENGINE & PROPELLER INSTALLATION, M-20B, C & D

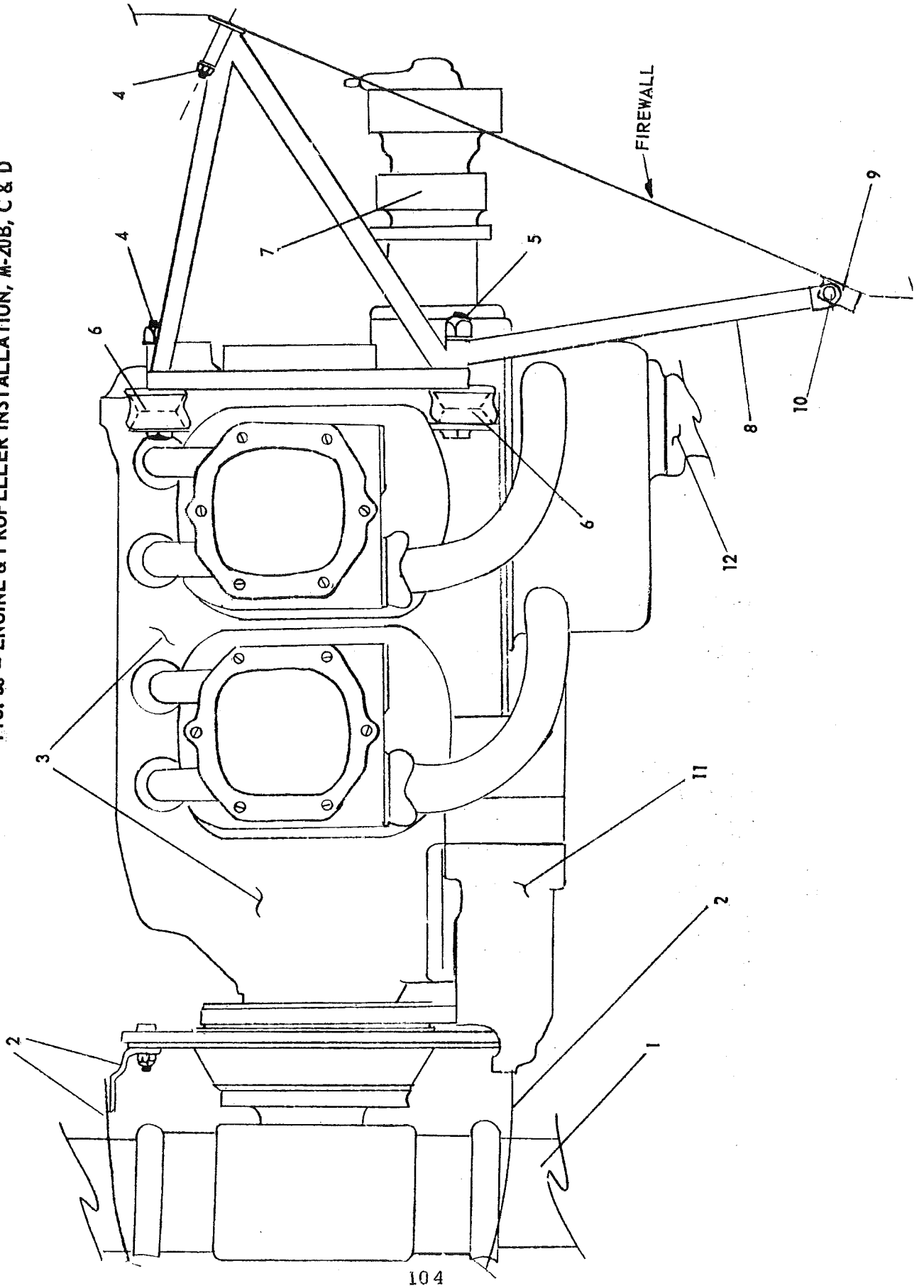




Fig.	Index	Parts No.	Description	Units Assy.
			ENGINE & PROPELLER INSTALLATION, M-20B, C & D	
38	1	2D36C14/78KM4	PROPELLER, McCauley	1
		HC-C2YK-1/7666-2	PROPELLER, Hartzell	1
		2D34C53-A/74E-0	PROPELLER, McCauley	1
		1C172/MFA-7460	PROPELLER, McCauley	1
	2	D2137	SPINNER ASSY., McCauley	1
		835-20	SPINNER ASSY., Hartzell	1
		D2809	SPINNER ASSY., McCauley	1
		D-3339	SPINNER ASSY.	1
	3	0-360-AID	ENGINE, Lycoming	1
		0-360-A2D	ENGINE, Lycoming	1
	4	AN7-35	BOLT, Top Engine Mount	2
		AN310-7	NUT, Top Engine Mount	2
		AN960-716	WASHER, Top Engine Mount	6
		AN380-3-4	PIN, Top Engine Mount	2
	5	AN7-35A	BOLT, Bottom Engine Mount	2
		AN363-720	NUT, Bottom Engine Mount	2
		AN960-716	WASHER, Bottom Engine Mount	6
	6	J-7402-1	SHOCK MOUNT, Lord	4
	7	B-210345	GOVERNOR, Propeller	1
		D-1-6	GOVERNOR, Propeller	1
		210452	GOVERNOR, Propeller	1
	8	590000	MOUNT, Engine	1
	9	590002	BLOCK, Engine Mount	2
	10	AN4-15A	BOLT, Left Side	1
		AN4-27A	BOLT, Right Side	1
		AN960-416	WASHER	2
		AN365-428	NUT	2
	11	1109689	STARTER, Delco-Remy - <i>PALSTOLITE</i>	1
	12	MA4-5	CARBURETOR, Marvel	1
		<u>NOT ILLUSTRATED</u>		
	13	119224	REGULATOR, Voltage	1
	14	1101915	GENERATOR	1
	15	R-35	BATTERY	1
	16	62628	PUMP, Fuel	1
		74082	PUMP, Fuel	1
	17	S4LN200	MAGNETO, Left	1
		S4LN204	MAGNETO, Right	1

FIG. 39 - ENGINE & PROPELLER INSTALLATION, M-20E

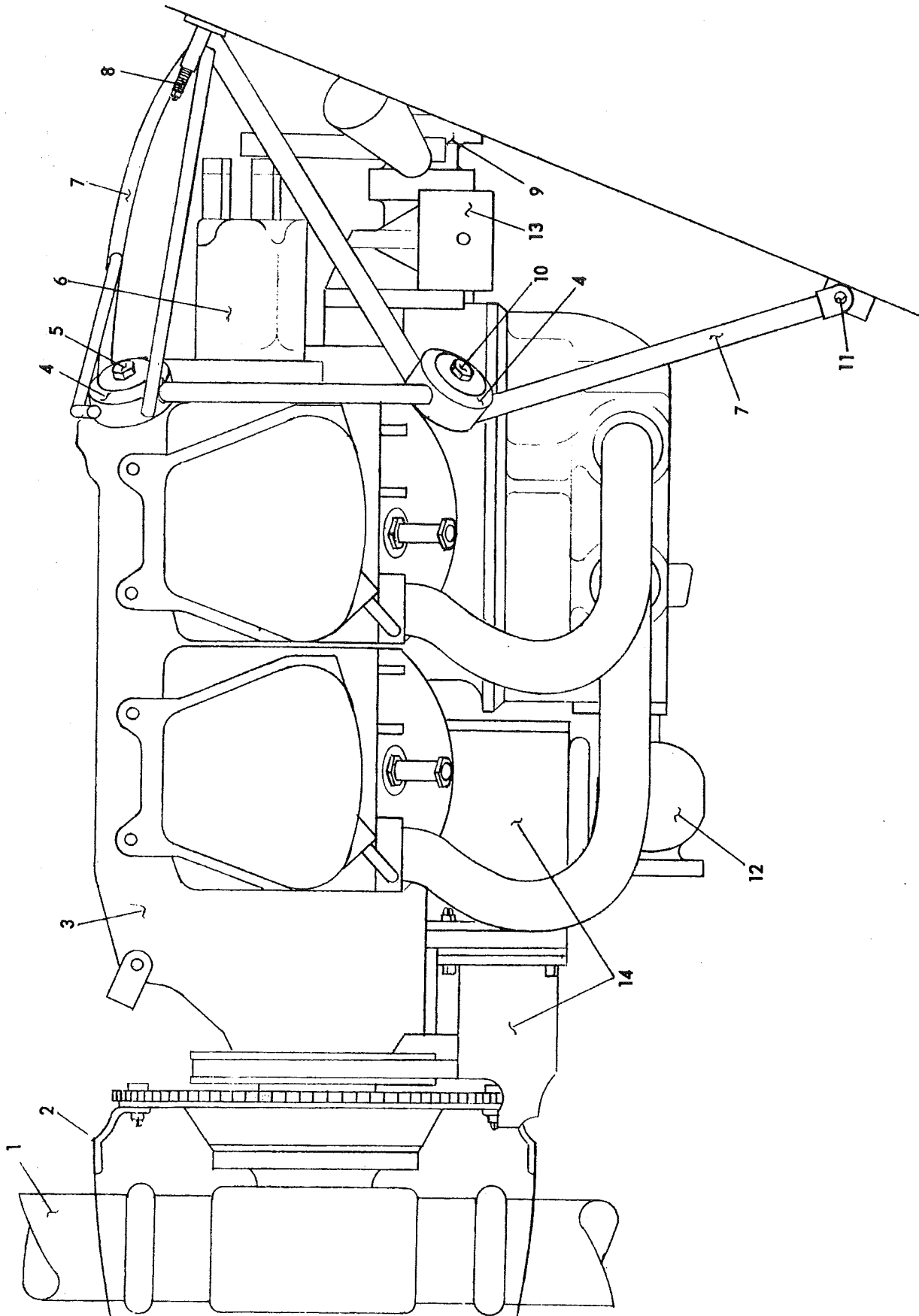




Fig.	Index	Parts No.	Description	Units Assy.
			ENGINE & PROPELLER INSTALLATION, M-20E	
39	1	HC-C2YK-1/7666-2	PROPELLER, Hartzell	1
	2	835-20	SPINNER ASSY.	1
	3	10-360-A1A	ENGINE, Lycoming	1
	4	J-7402-16	MOUNT, Lord	4
	5	AN7-35	BOLT, Engine Mount, Right & Left Top	2
		AN310-7	NUT, Engine Mount, Right & Left Top	2
		AN960-716	WASHER, Engine Mount, Right Top	3
		AN380-3-4	PIN, Engine Mount, Right & Left Top	1
		AN960-716	WASHER, Engine Mount, Left Top	2
		AN960-716L	WASHER, Engine Mount, Left Top	1
	6	S4LN-200	MAGNETO, Bendix, Left	1
		S4LN-204	MAGNETO, Bendix, Right	1
	7	590000	MOUNT, Engine	1
	8	AN4-27A	BOLT	2
		AN960-416	WASHER	2
		AN365-428	NUT	2
	9	66008-3	PROPELLER GOVERNOR, Woodward	1
	10	AN7-35A	BOLT, Lower Shock Mounts	2
		AN960-716	WASHER, Lower Shock Mounts	6
		AN365-720	NUT, Lower Shock Mounts	2
	11	AN4-15A	BOLT	2
		AN960-416	WASHER	2
		AN365-428	NUT	2
	12	RSA-5ADI	FUEL INJECTOR	1
	13	AC5656697	FUEL PUMP, Engine Driven	1
	14	1109689	STARTER	1
		<u>NOT ILLUSTRATED</u>		
		1119224	REGULATOR, Voltage	1
		1101915	GENERATOR	1
		R-35	BATTERY	1
		4140-00-19	PUMP, Electric Boost	1



Fig.	Index	Parts No.	Description	Units Assy.
		6000	ENGINE COWLING DETAIL, M-20B, C & D	
40	1	6042-1	RAIL, Left	1
		6042-2	RAIL, Right	1
	2	6389-1	COWL FLAP ASSY., Left	1
		6389-2	COWL FLAP ASSY., RIGHT	1
		6389-3	COWL FLAP ASSY., Left	1
		6389-4	COWL FLAP ASSY., Right	1
	3	6381-1	RAIL, Left	1
		6381-2	RAIL, Right	1
	4	6159	BRACKET, Cowl Flap	2
	5	6375	SCOOP, Air	1
	6	650025	HINGE PLATE	8
		AN3-5	BOLT	4
		AN310-3	NUT	4
		AN380-2-2	COTTER PIN	4
		AN960-10	WASHER	4
	7	6272-1	STRINGER, Left	1
		6272-2	STRINGER, Right	1
	8	6060-3	BRACE, Left	1
		6060-4	BRACE, Right	1
	9	6395	SKIN, Bottom Cowl	1
	10	6179	AIR DUCT	1
		36050	GASKET, Continental	1
	11	6377	BRACKET	1
	12	13219	FILTER, Air Maze	1
	13	6373	COVER, Air Maze	1
	14	6469	BRACKET, Oil Cooler	1
	15	6045-1	BRACKET, Landing Light	1
		6045	BRACKET, Landing Light	1
	16	6074	RETAINING FLANGE, Landing Light	1
	17	GE4537	LIGHT, Landing	1
		GE4522	LIGHT, Landing	1
	18	6019	RING, Bottom Cowl	1
	19	6040	CHANNEL	1
	20	650004	ANGLE FASTENER	4
		AN3-5A	BOLT	2
		AN960-10L	WASHER	2
		AN365-1032	NUT	2
		650000	PLATE FASTENER	2
		AN507-832R8	SCREW	4
		AN363-832	NUT	4
		AN960-8	WASHER	4
	21	6009	STIFFENER, Top Cowl	1
	22	6015	SKIN, Top Cowl	1

Fig.	Index	Parts No.	Description	Units Assy.
23		6001-17	STIFFENER	1
24		6001-15	STIFFENER	1
25		6001-13	STIFFENER	1
26		6001-11	STIFFENER	1
27		6041-1	RAIL, Left	1
		6041-2	RAIL, Right	1
28		6014-3	COWL SKIN, Left Forward	1
		6014-4	COWL SKIN, Right Forward	1
29		6014-1	COWL SKIN, Left Side	1
		6014-2	COWL SKIN, Right Side	1
30		3292-1	RAIL, Left	1
		3292-2	RAIL, Right	1
31		6482	DOOR ASSY, Battery Access	1
32		6146	DOOR ASSY., Oil Access	1
33		6001	TOP COWL ASSY.	
34		6380	BOTTOM COWL ASSY.	
		6380-1	BOTTOM COWL ASSY.	
35		6136-1	COWL ASSY., Left Side	
		6136-3	COWL ASSY., Left Side	
		6136-2	COWL ASSY., Right Side	

FIG. 41 - ENGINE COWLING DETAIL, M-20E

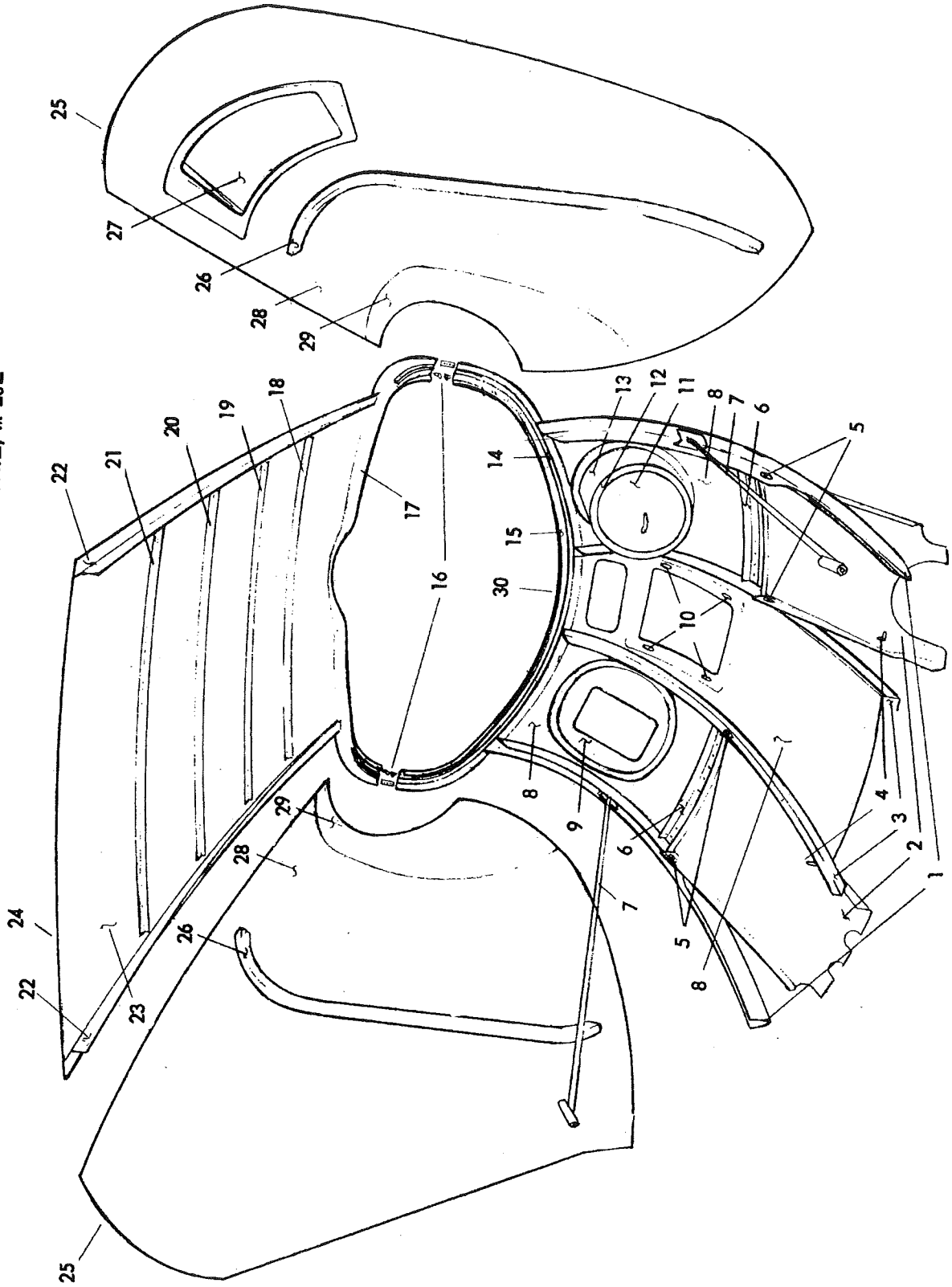




Fig.	Index	Parts No.	Description	Units Assy.
		650045	ENGINE COWLING DETAIL, M-20E	
41	1	650021-1	RAIL, Left	1
		650021-2	RAIL, Right	1
	2	650015-501	COWL FLAP ASSY., Left	1
		650015-502	COWL FLAP ASSY., Right	1
	3	650014-501	RAIL, Left	1
		650014-502	RAIL, Right	1
	4	650024	BRACKET, Cowl Flap	2
	5	650025	HINGE PLATE	8
		AN3-5	BOLT	4
		AN310-3	NUT	4
		AN380-2-2	COTTER PIN	4
		AN960-10	WASHER	4
	6	650027-1	STIFFENER, Left	1
		650027-2	STIFFENER, Right	1
	7	650032-501	BRACE, Left	1
		650032-502	BRACE, Right	1
	8	650046	COWL SKIN, Bottom	1
	9	650049	BRACKET, Oil Cooler	1
	10	RM52LHTA51A-02	NUT PLATE	4
	11	GE4522	LIGHT, Landing	1
	12	650023	RETAINING FLANGE, Landing Light	1
	13	650022-11	BRACKET, Landing Light	1
	14	650020	CHANNEL, Bottom Cowl	1
	15	650019	STIFFENER, Bottom Cowl	1
	16	650004	ANGLE FASTENER	4
		AN3-5A	BOLT	2
		AN960-10L	WASHER	2
		AN365-1032	NUT	2
		650000	PLATE FASTENER	2
		AN507-832R8	SCREW	4
		AN363-832	NUT	4
		AN960-8	WASHER	4
	17	650001-3	RING, Top Cowl	1
	18	650000-11	STIFFENER	1
	19	650000-13	STIFFENER	1
	20	650000-15	STIFFENER	1
	21	650000-17	STIFFENER	1
	22	650006-1	RAIL, Left	1
		650006-2	RAIL, Right	1
	23	650003	SKIN, Top Cowling	1
	24	650000-501	TOP COWL ASSY.	1

Fig. Index	Parts No.	Description	Units Assy.
25	650007-501	COWL ASSY., Left Side	1
	650007-503	COWL ASSY., Left Side	1
26	650007-502	COWL ASSY., Right Side	1
	650007-504	COWL ASSY., Right Side	1
26	310043-1	STIFFENER, Left	1
	310043-2	STIFFENER, Right	1
27	650008	DOOR ASSY., Oil Filler	1
28	650002-7	COWL SKIN, Back Left	1
	650002-8	COWL SKIN, Back Right	1
29	650002-5	COWL SKIN, Front Left	1
	650002-6	COWL SKIN, Front Right	1
30	650047-1	COWL ASSY., Bottom	1

FIG. 42 - ENGINE BAFFLE DETAIL, M-20B, C & D

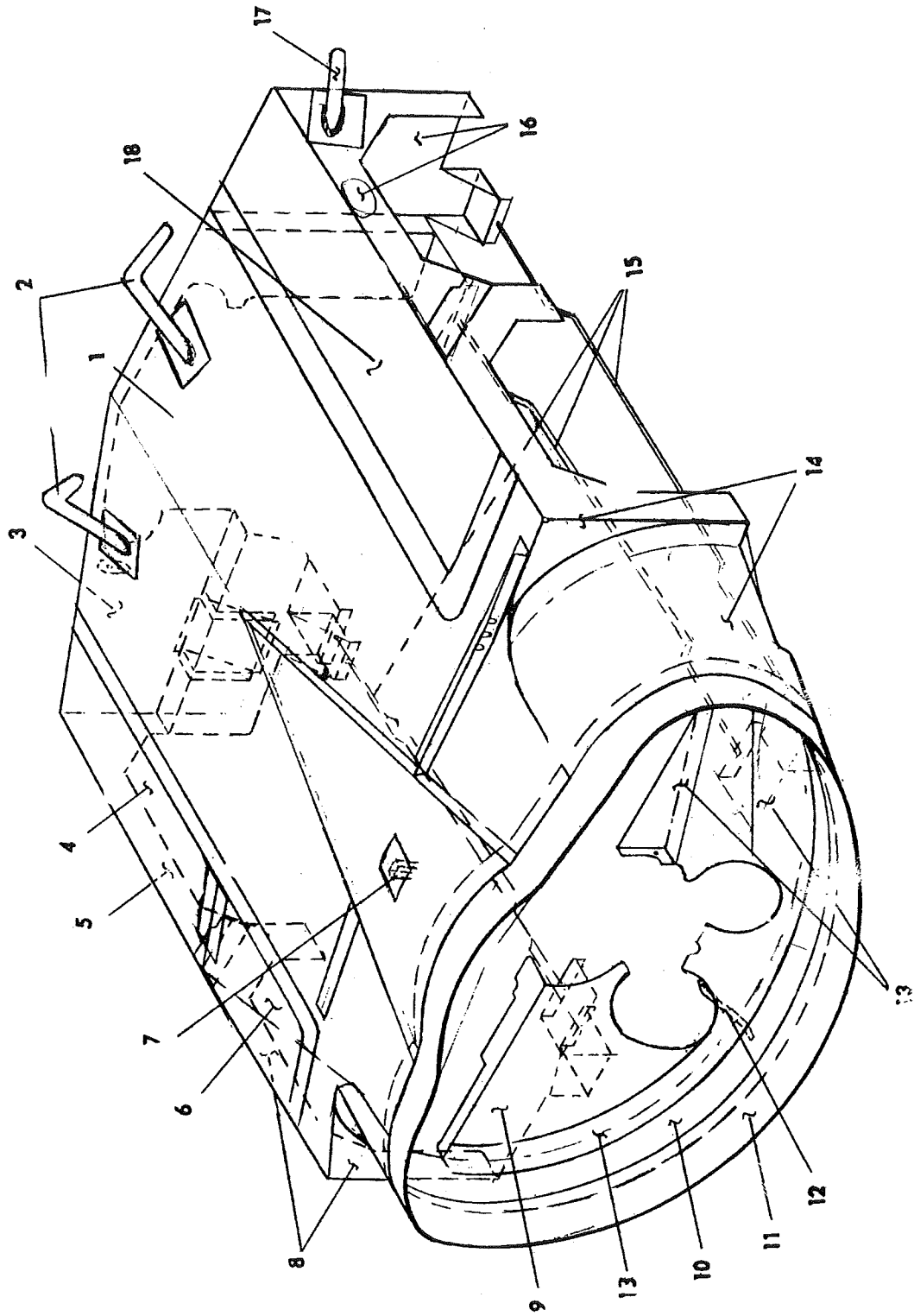




Fig.	Index	Parts No.	Description	Units Assy.
		6084	ENGINE BAFFLE DETAIL, M-20B, C & D	1
42	1	6104-1	BAFFLE, Top	1
	2	6112	TUBE, Magneto Blast	2
	3	6078-1	BAFFLE, Right Rear Wall	1
	4	6415	ACCESS PANEL, Right Rear	1
	5	6083	SIDE BAFFLE, Right Rear	1
	6	6416	ACCESS PANEL, Right Forward	1
	7	6101	BRACKET, Baffle Support	1
	8	6242	BAFFLE, Forward Corner	1
	9	6088	BAFFLE, Forward Front	1
	10	6105	BAFFLE, Lower Front	1
	11	6120-1	RUBBER SEALING STRIP, Bottom	1
		6120-2	RUBBER SEALING STRIP, Top	1
	12	6190-2	BRACE, Baffle	1
		AN3-4A	BOLT	1
		AN960-10	WASHER	1
		AN365-1030	NUT	1
	13	6092	BAFFLE, Left Front	1
	14	6246-1	BAFFLE, Forward Corner	1
	15	6107-1	TIE ROD, Baffle	2
		6107-2	TIE ROD, Baffle	4
		AN365-632	NUT	4
	16	6082	WALL BAFFLE, Left Rear	1
	17	6114	INLET, Battery Vent	1
	18	6108	ACCESS PANEL, Left	1

FIG. 43 - ENGINE BAFFLE DETAIL, M-20E

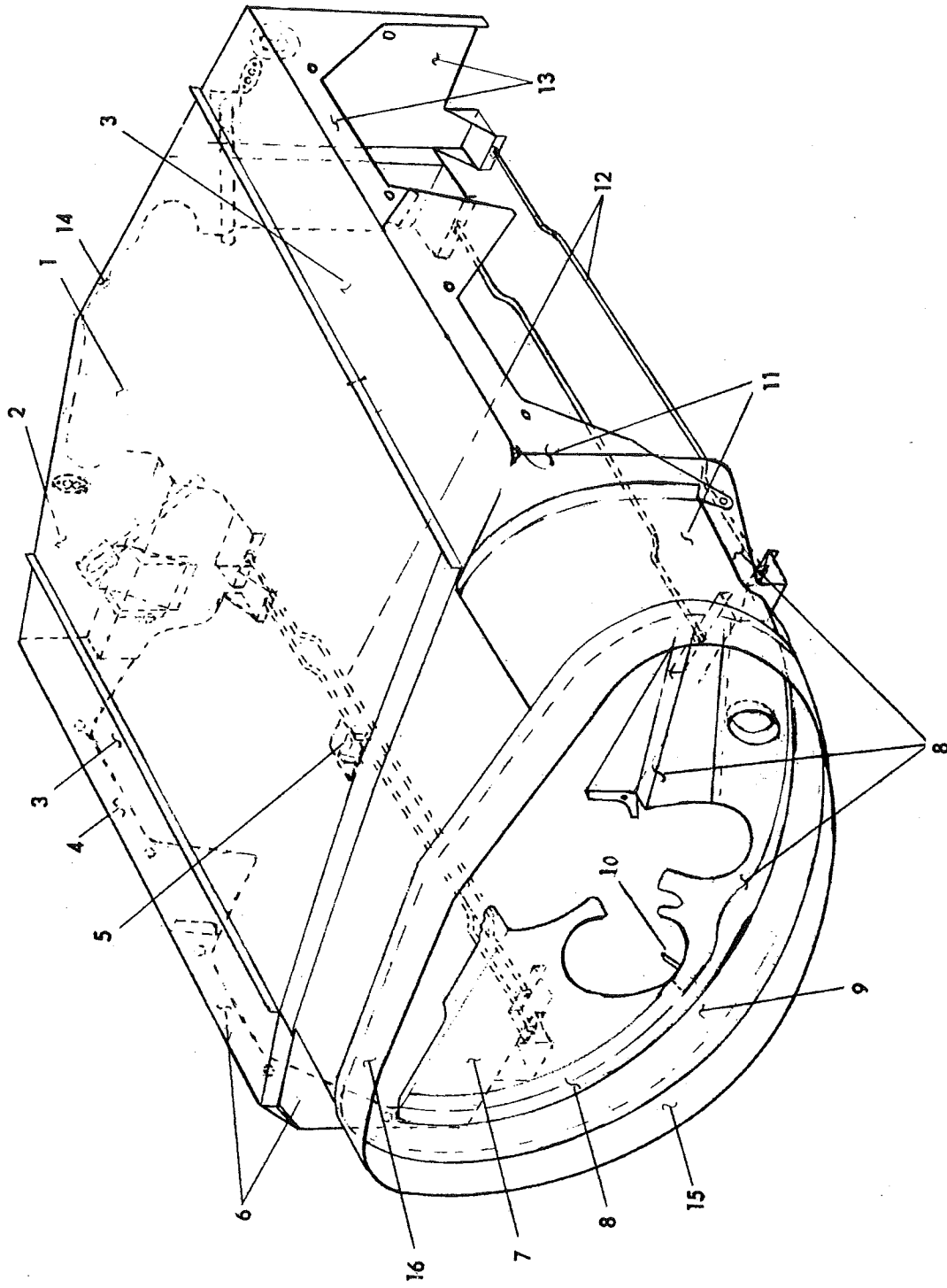




Fig.	Index	Parts No.	Description	Units Assy.
		600130	ENGINE BAFFLE DETAIL, M-20E	
43	1	600138-1	TOP BAFFLE ASSY.	1
	2	600131-1	BAFFLE ASSY., Right Aft	1
	3	600136-1	ACCESS DOOR ASSY., Left & Right	2
	4	600133-9	SIDE BAFFLE, Right Aft	1
	5	600135-1	SUPPORT ASSY.	1
	6	600133-11	SIDE BAFFLE, Right Forward	1
	7	600134-1	BAFFLE ASSY., Right Front	1
	8	600132-1	BAFFLE ASSY., Left Front	1
	9	600028-501	BAFFLE ASSY., Lower Front	1
	10	600035	SUPPORT	1
	11	600133-7	SIDE BAFFLE, Left Forward	1
	12	600029-2	TIE ROD	4
	13	600133-9	SIDE BAFFLE, Left Aft.	1
	14	600040	BAFFLE SUPPORT, Rear	1
	15	912003-1	RUBBER SEALING STRIP, Bottom	1
	16	912003-2	RUBBER SEALING STRIP, Top	1

FIG. 44 - ENGINE CONTROLS INSTALLATION, M-20B

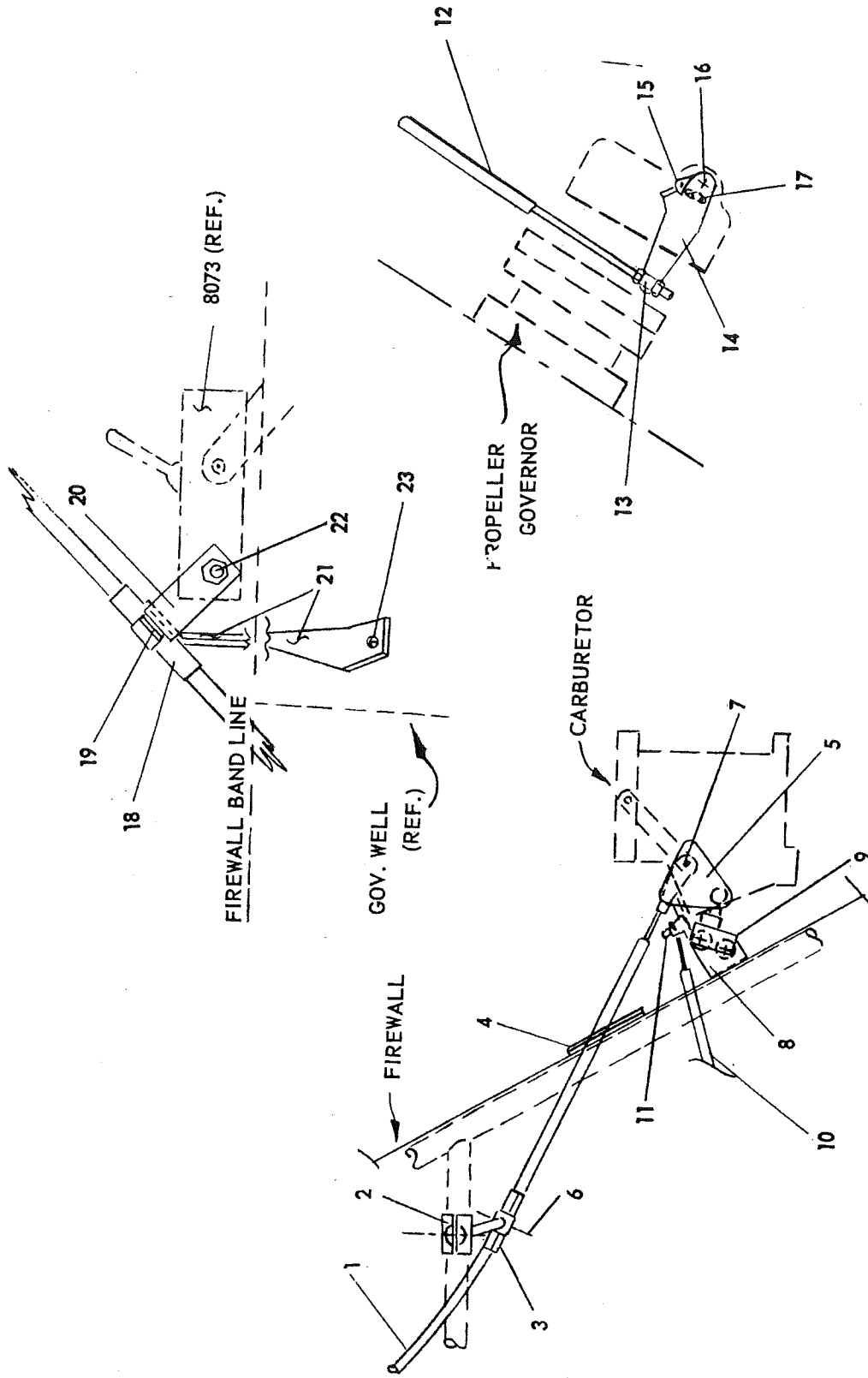




Fig.	Index	Parts No.	Description	Units Assy.
ENGINE CONTROLS INSTALLATION, M-20B				
44	1	345-001-9	CONTROL, Throttle, Arens	1
	2	6392	BRACKET	1
	3	6202	SLEEVE, Control	1
	4	6390	RETAINER, Firewall Seal	1
		6391	SEAL	1
	5	6252	WARNING SWITCH BRACKET	1
	6	AN 3-3A	BOLT	1
		AN 365-1032	NUT	1
	7	AN 486-4	CLEVIS	1
		AN 23-13	BOLT, Clevis	1
		AN 310-3	NUT	1
		AN 380-2-3	PIN, Cotter	1
	8	6117	BRACKET, Switch	1
	9	MBH2731 & 101HS6	SWITCH AND ACTUATOR ASSEMBLY	1
	10	64-032-139	CONTROL, Mixture	1
	11	8108	FASTENER, Control	1
	12	345-001-10	CONTROL, Propeller, Arens	1
	13	6456	HOLDER, Control	1
		AN 380-2-2	PIN, Cotter	1
		AN 320-3	NUT	1
	14	6156	ARM	1
	15	6125	PLATE, Adjustment	1
	16	AN 960-416	WASHER (Under 6125 Plate)	1
		AN 365-428	NUT	1
	17	AN 3-4	BOLT	1
		AN 365-1032	NUT	1
	18	6202	SLEEVE, Control	1
	19	AN 3-5A	BOLT	1
		AN 960-10	WASHER	1
		AN 365-1032	NUT	1
	20	6393	BRACKET ASSEMBLY	1
	21	6255	BRACE, Control Bracket	1
	22	AN 3-3	BOLT	1
		AN 365-1032	NUT	1
	23	AN 3-3A	BOLT	1
		AN 960-10	WASHER, Near Side (970-3 far side)	1
		AN 365-1032	NUT	1

FIG. 45 - ENGINE CONTROLS INSTALLATION, M-20C, D & E

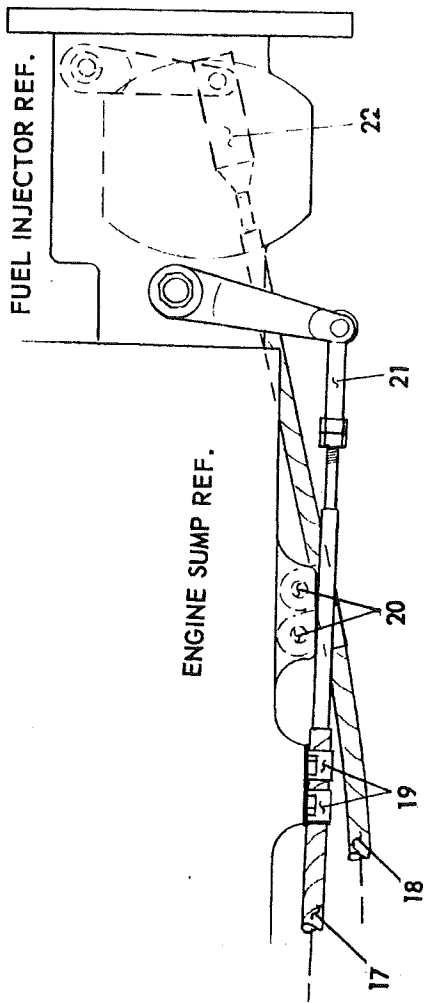
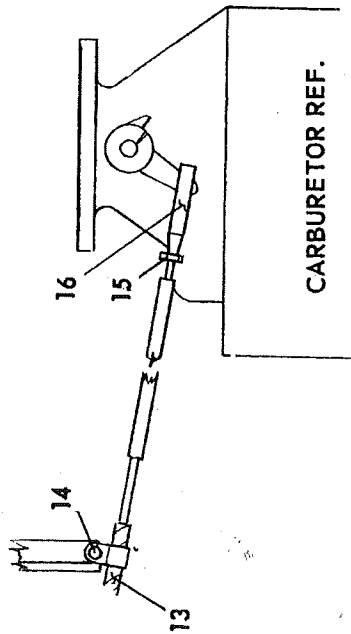
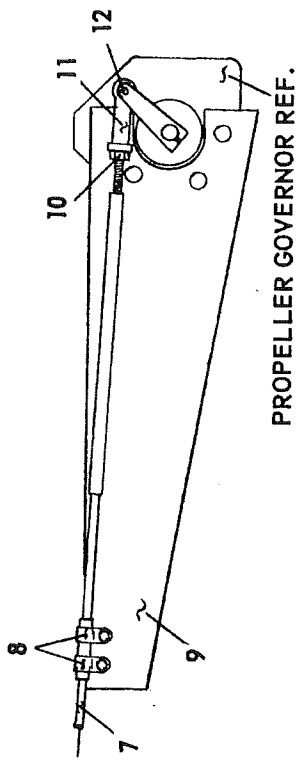
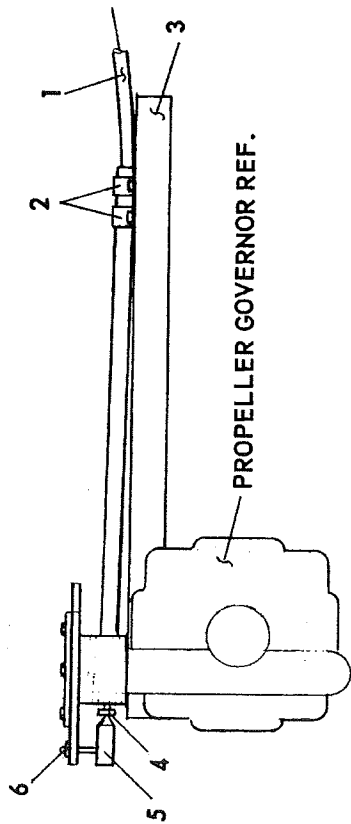




Fig.	Index	Parts No.	Description	Units Assy.
			ENGINE CONTROLS INSTALLATION, M-20C, D & E	1
45	1	HE-1003-451	CONTROL, Prop. Gov.	1
		345-001-104	CONTROL, Prop. Gov.	2
	2	AN742-5	CLAMP	2
		AN42-6	CLAMP	2
		AN520-10R10	SCREW	2
		AN960-10L	WASHER	2
		AN365-1032	NUT	3
		AN960-10	WASHER	1
3		6493-7	SUPPORT	1
4		AN316-4R	NUT	1
5		660007-1	SWIVEL JOINT	1
		660051-3	SWIVEL JOINT	1
6		AN320-3	NUT	1
		AN380-2-3	PIN	2
		AN960-10	WASHER	1
7		HE1003-451	CONTROL, Prop. Gov.	1
		345-001-104	CONTROL, Prop. Gov.	2
8		AN742-5	CLAMP	2
		AN3-10A	BOLT	2
		914024-3	BUSHING	2
		AN365-1032	NUT	3
		AN960-10	WASHER	1
9		660019-3	SUPPORT	1
10		AN316-4R	NUT	1
		AN315-3R	NUT	1
11		F34-14M	BALL JOINT	1
		HF-3M	BALL JOINT	1
12		AN320-3	NUT	1
		AN380-2-3	PIN	1
		AN960-10	WASHER	1
		AN960-10L	WASHER	1
		AN3-11	BOLT	1
		AN3-10	BOLT	1
13		HE1002-401	CONTROL, Throttle	1
		6502-13	SPACER	1
		253-001-1	CONTROL, Throttle	1
		660052-1	BRACKET	1
		660052-5	INSULATOR	2
		AN526-832R7	SCREW	1
		AN750-F6	CLAMP	2
		AN960-8	WASHER	2
		AN365-832	NUT	2

Fig. Index	Parts No.	Description	Units Assy.
14	AN742-5	CLAMP	1
	AN3-4A	BOLT	1
	AN960-10L	WASHER	1
	AN363-1032	NUT	1
	660004	SUPPORT	1
15	AN316-4R	NUT	1
16	6456-1	SWIVEL JOINT	1
	660051-3	SWIVEL JOINT	1
	AN960-10L	WASHER	1
	AN320-3	NUT	4
	AN380-2-2	PIN	1
17	253-001-2	CONTROL, Throttle	1
18	345-001-10	CONTROL, Mixture	1
19	AN74-4	BOLT	1
	AN960-416	WASHER	2
	913052-7	CLAMP	2
	AN995-F51		2
20	AN526-1032R16	SCREW	2
	AN742-5	CLAMP	2
	AN960-10	WASHER	2
	AN365-1032	NUT	2
21	HF3M	HEIM BEARING	2
	AN3-7	BOLT	1
	AN960-10	WASHER	1
	AN320-3	NUT	2
	AN380-2-2	COTTER PIN	1
22	660051-3	SWIVEL JOINT	1
	AN960-10L	WASHER	1
	AN320-3	NUT	1
	AN380-2-2	COTTER PIN	1



FIG. 46 - ENGINE INDUCTION & EXHAUST SYSTEM, M-20B

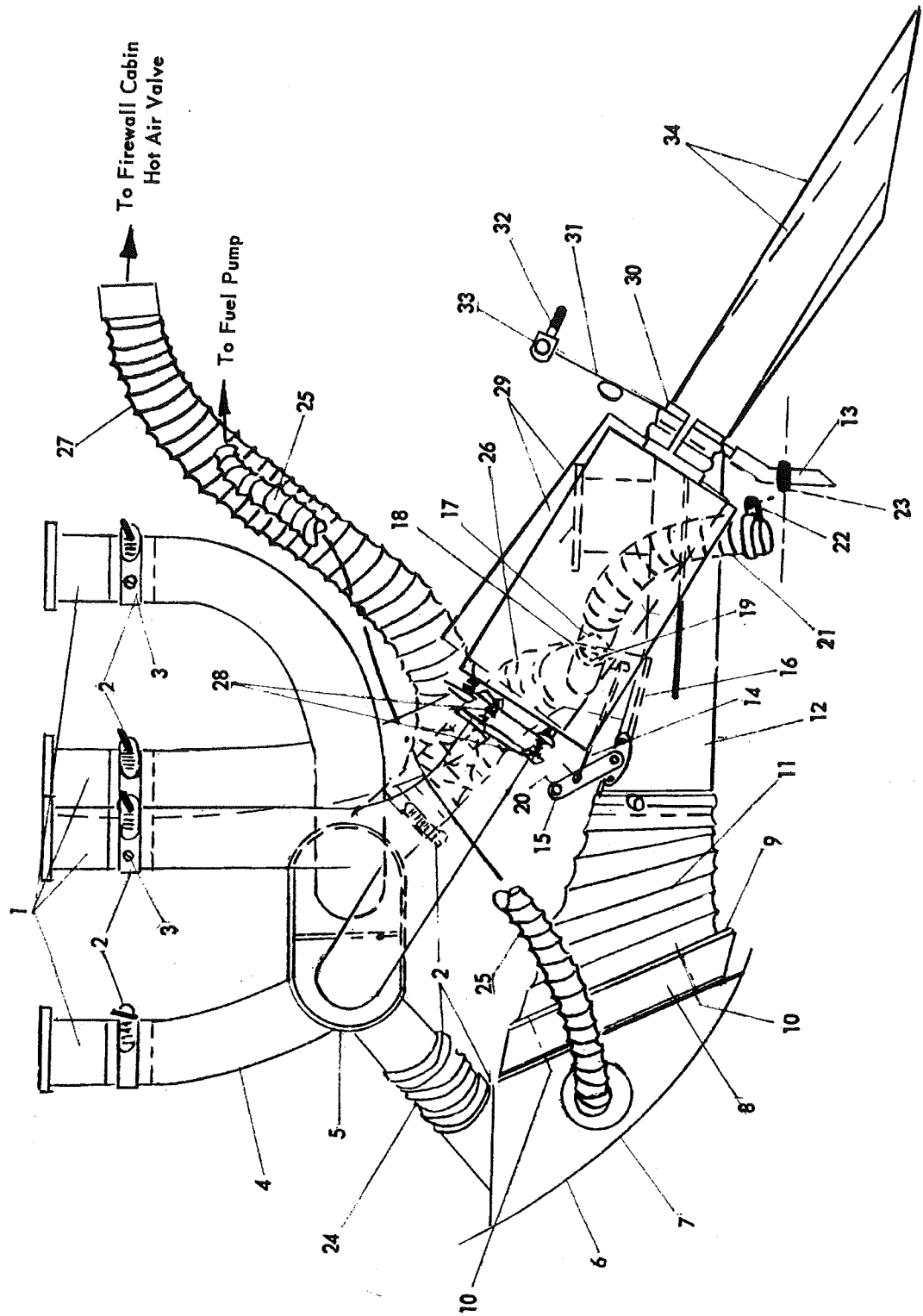




Fig.	Index	Parts No.	Description	Units Assy.
ENGINE INDUCTION AND EXHAUST				
SYSTEM, M20B				
46	1	6035	OUTLET, Exhaust	4
	2	QS100-M24	CLAMP	4
	3	4 x 3/8	SCREW	4
	4	6363-1	EXHAUST ASSEMBLY	1
	5	6364	MANIFOLD, Hot Air	1
	6	6375	SCOOP, Air Intake	1
		6377	BRACKET, Air Maze	1
		6373	COVER PLATE, Air Maze	1
	7	6254	INLET, Fuel Pump Blast	1
		3218-3	SCREW	1
	8	13219	FILTER, Air Maze	1
	9	36050	GASKET	1
	10	AN 515-8R-12	SCREW	4
		AN 960-8L	WASHER	4
	11	6179	DUCT, Carburetor Air	1
	12	6235-11	BOX, Carburetor Air	1
	13	6178-1	TUBE, Drain	1
	14	6178-2	ROD, Control	1
	15	6211	CONTROL, Hot Air	1
	16	6175	VALVE, Control	1
	17	6186	VALVE, Overboard	1
	18	6385	VALVE, Control	1
	19	6213	BEARING, Valve	1
	20	D131	CONTROL	2
	21	6195	TUBE, Overboard	1
	22	AN 3-4A	BOLT	1
		AN 742-D20	CLAMP	1
		AN 365-1032	NUT	1
	23	AN 931-14-20	GROMMET	1
	24	6257-5	HOSE, Hot Air Intake	1
	25	6257-3	HOSE, Fuel Pump Blast	1
	26	6257-2	HOSE, Hot Air	1
	27	6257-4	HOSE, Cabin Hot Air	1
	28	AN 3-13	BOLT	6
		AN 960-10	WASHER	6
	29	6400	MUFFLER	2
	30	AN 3-5A	BOLT	2
		AN 186-8A	CLAMP	8
		AN 365-1032	NUT	8
	31	6226	SPRING, Exhaust	4

Fig.	Index	Parts No.	Description	Units Assy.
46	32	AN 42-3A	BOLT EYE	2
	33	AN 43-3A	BOLT	2
		AN 365-1032	NUT	2
	34	6261	PIPE, Tail	2

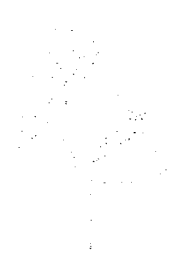


FIG. 47 - ENGINE INDUCTION & EXHAUST SYSTEM, M-20C & D

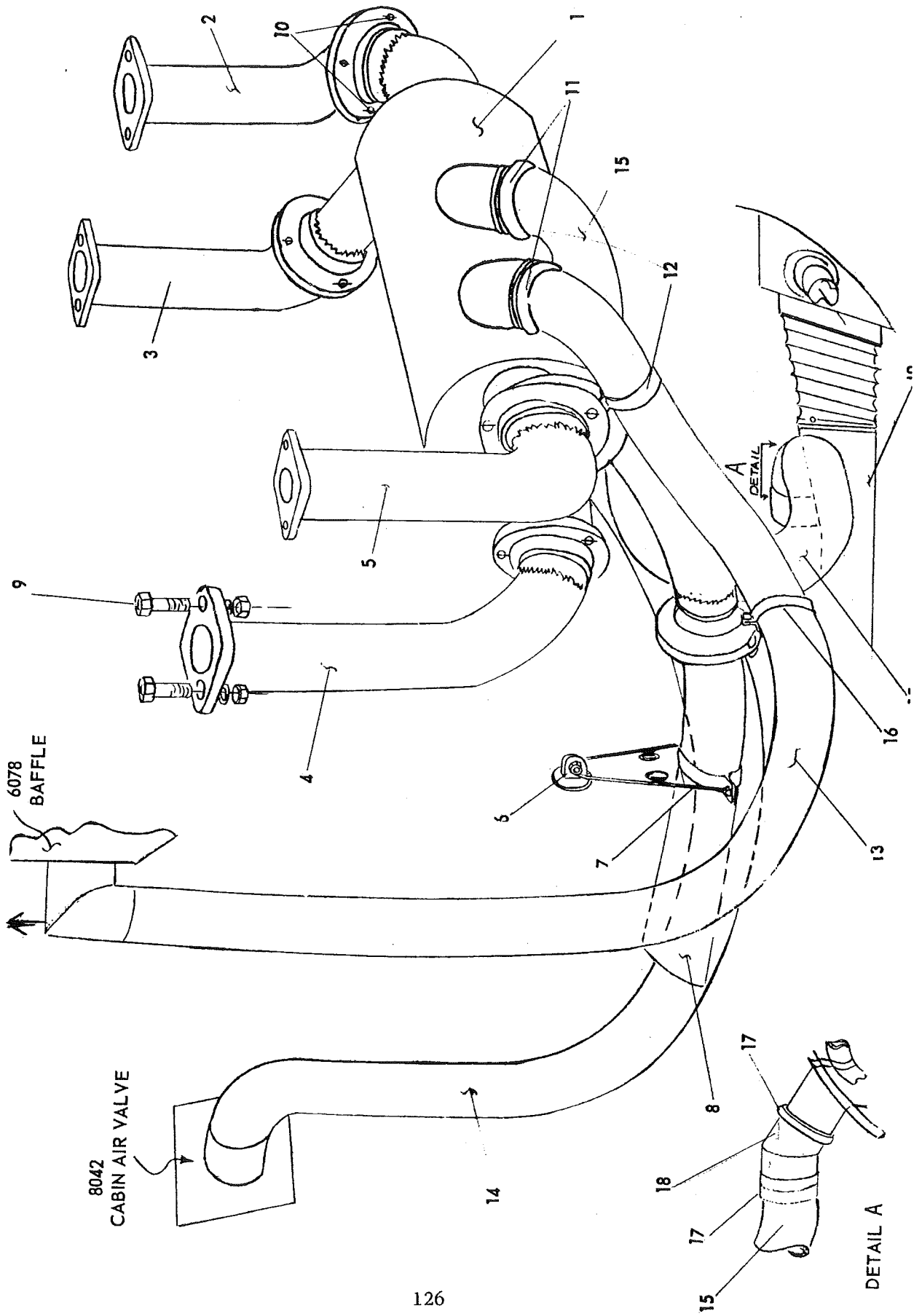




Fig.	Index	Parts No.	Description	Units Assy.
		6489	ENGINE INDUCTION AND EXHAUST SYSTEM, M-20C & D	
47	1	637	EXHAUST ASSEMBLY, Hanlon and Wilson	1
	2	637-13	TUBE, Exhaust #2 Cylinder	1
	3	637-14	TUBE, Exhaust #4 Cylinder	1
	4	637-11	TUBE, Exhaust #3 Cylinder	1
	5	637-12	TUBE, Exhaust #1 Cylinder	1
	6	AN 3-3A	BOLT	1
		AN 365-1032	NUT	1
		AN 970-10	WASHER	1
		6226	SPRING EXHAUST	2
	7	6490	CLAMP	1
		AN 3-5A	BOLT	2
		AN 363-1032	NUT	2
	8	637-35	EXTENSION, Exhaust	1
	9	STD-35	WASHER	8
		STD-475	WASHER	8
		STD-1410	NUT	8
		65321	GASKET	8
	10	AN 3-11	BOLT	12
		AN 960-10	WASHER	36
		AN 310-3	NUT	12
		AN 380-2-3	PIN, Cotter	12
		H & W 186-218'	SPRING	12
	11	QS100-M-36	CLAMP	2
	12	AN 735D-34	CLAMP	4
	13	6484-3	TUBE, Flexible	1
	14	6484-1	TUBE, Flexible	1
	15	6484-5	TUBE, Flexible	1
	16	AN 735-34	CLAMP	2
		AN 735-6	CLAMP	2
		AN 3-3A	BOLT	2
		AN 365-1032	NUT	2
		AN 960-10	WASHER	4
	17	QS100-M-36	CLAMP	1
	18	6504-1	ELBOW	1
	19	6235-11	AIR BOX ASSEMBLY, Carburetor	1

FIG. 48 - ENGINE INDUCTION SYSTEM, M-20E

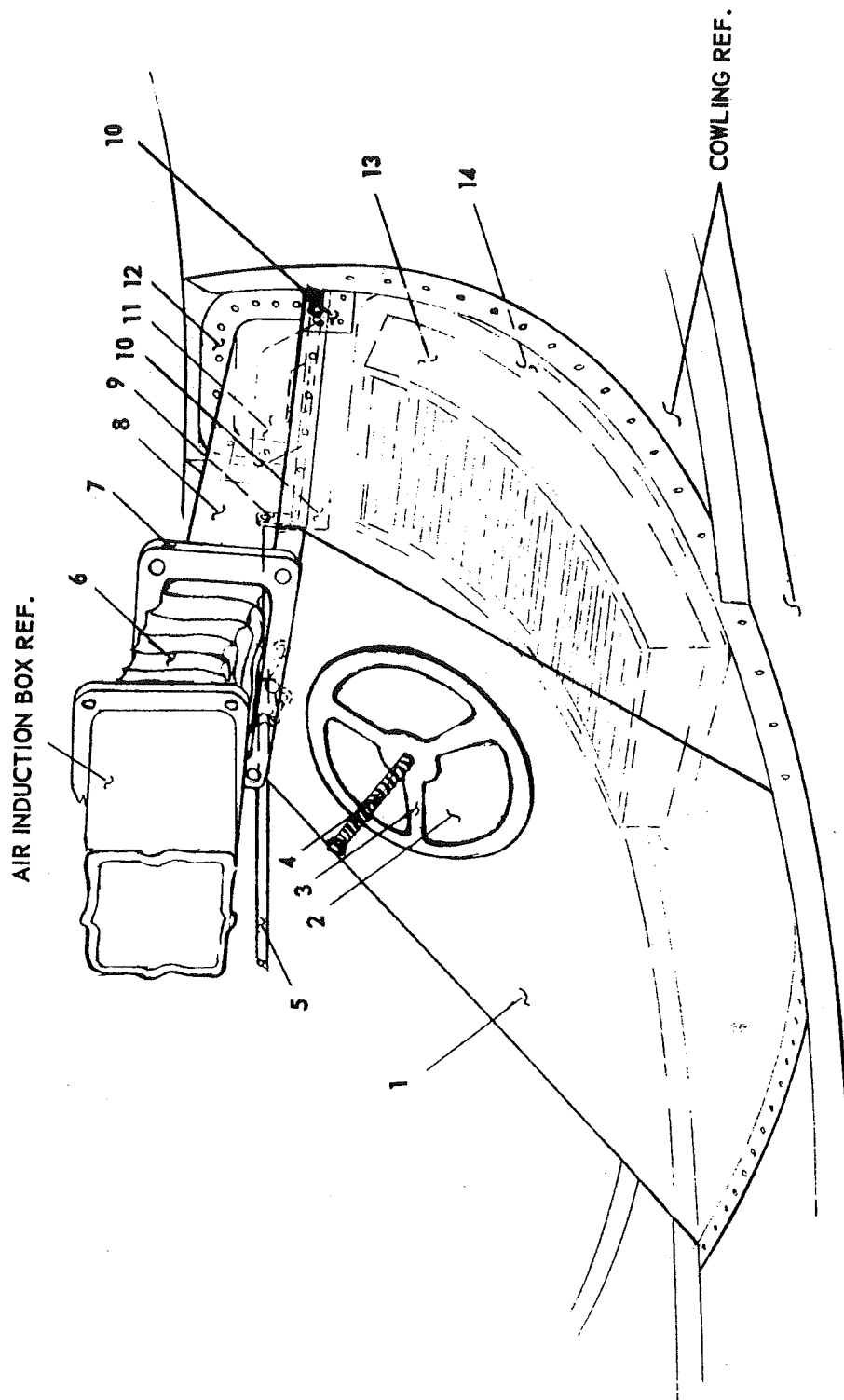




Fig.	Index	Parts No.	Description	Units Assy.
			ENGINE INDUCTION SYSTEMS, M-20E	
48	1	600118-33	FILTER BOX	1
	2	600118-15	DOOR	1
	3	600118-19	DOUBLER	1
		600118-25	SEAL	1
	4	600142-3	SPRING	1
		600127-17	BOLT	1
		AN960-416L	WASHER	2
		AN381-2-8	COTTER PIN	2
	5	21-006-93	CONTROL, Alternate Air	1
	6	600115-3	COUPLING, Flexible	1
	7	600118-3	FLANGE	1
	8	600118-9	DUCT ASSEMBLY	1
	9	600127-9	ARM	1
		600127-15	SHAFT ASSY.	1
	10	600127-1	BEARING ASSY., Left	1
		600127-2	BEARING ASSY., Right	1
	11	600118-13	DOOR	2
		600118-17	SEAL	1
		600118-31	STIFFENER	1
		600118-35	DOOR	1
	12	600118-11	DOUBLER	1
		600118-21	DOUBLER	1
		600118-7	PLATE	1
	13	P10-4065	FILTER	1

FIG. 49 - ENGINE EXHAUST SYSTEM, M-20E

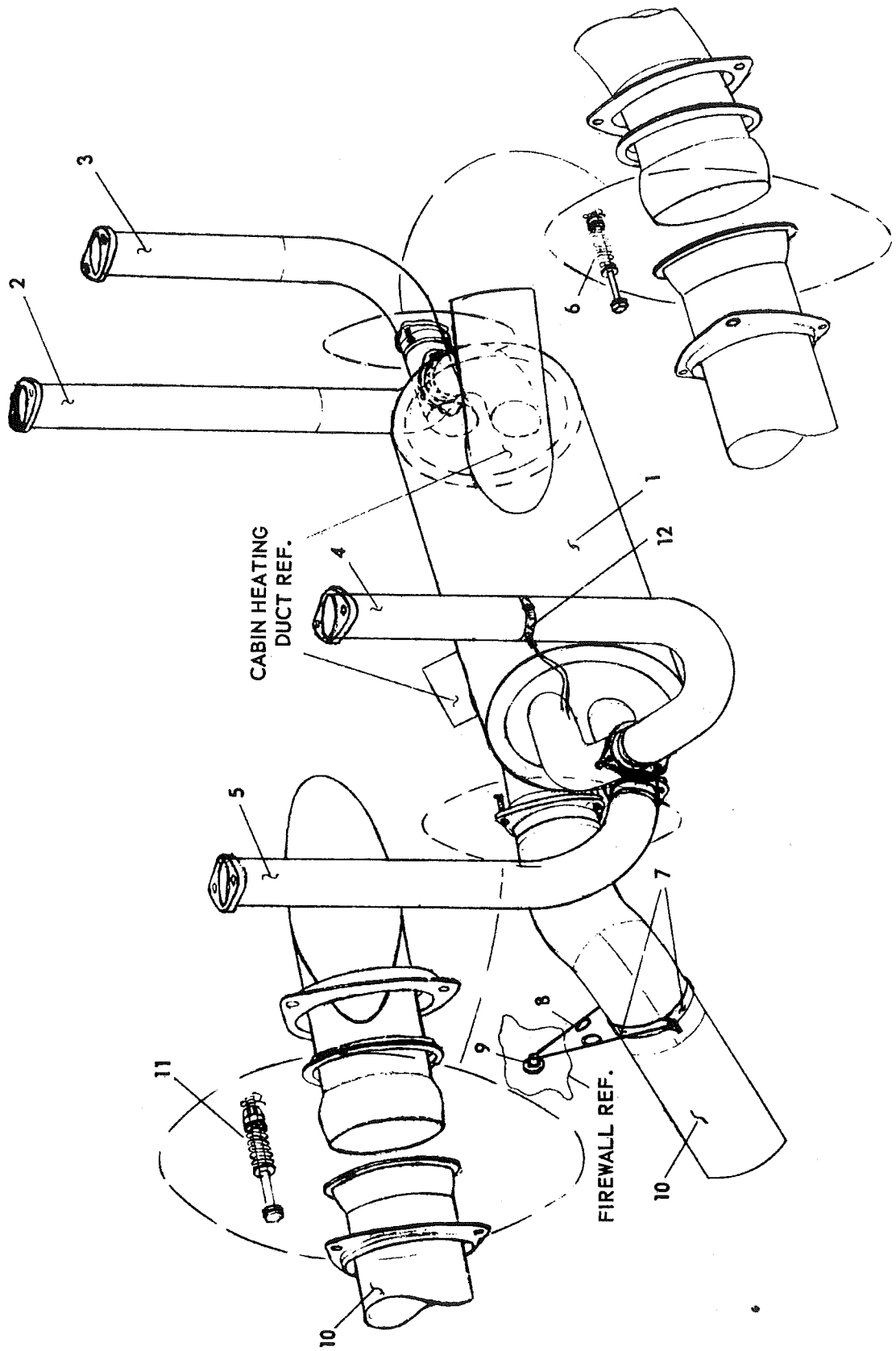




Fig.	Index	Parts No.	Description	Units Assy.
49		130070	ENGINE EXHAUST SYSTEM, M-20E	
	1	850-2	MUFFLER ASSY.	1
	2	850-20	EXHAUST STACK ASSY. (to #4 Cylinder)	1
	3	850-14	EXHAUST STACK ASSY. (to #2 Cylinder)	1
	4	850-18	EXHAUST STACK ASSY. (to #1 Cylinder)	1
	5	850-9	EXHAUST STACK ASSY. (to #3 Cylinder)	1
	6	AN3-13	BOLT	12
		AN310-3	NUT	12
		186-218	SPRING	12
		AN960-10	WASHER	36
		AN380-2-3	COTTER PIN	12
	7	630021-3	CLAMP	2
	8	916006	SPRING	2
	9	AN42-3A	BOLT EYE	1
		AN3-6A	BOLT	1
		AN960-10	WASHER	2
		AN365-1032	NUT	1
	10	850-3	TAIL PIPE ASSY.	1
	11	AN3-15	BOLT	3
		AN310-3	NUT	3
		186-218	SPRING	3
		AN960-10	WASHER	9
		AN380-2-3	COTTER PIN	3
	12	MC1-106E	EXHAUST GAS TEMP. PROBE	1

FIG. 50 - FUEL SYSTEM SCHEMATIC, M-20B, C & D (1701-2622; 101-200D)

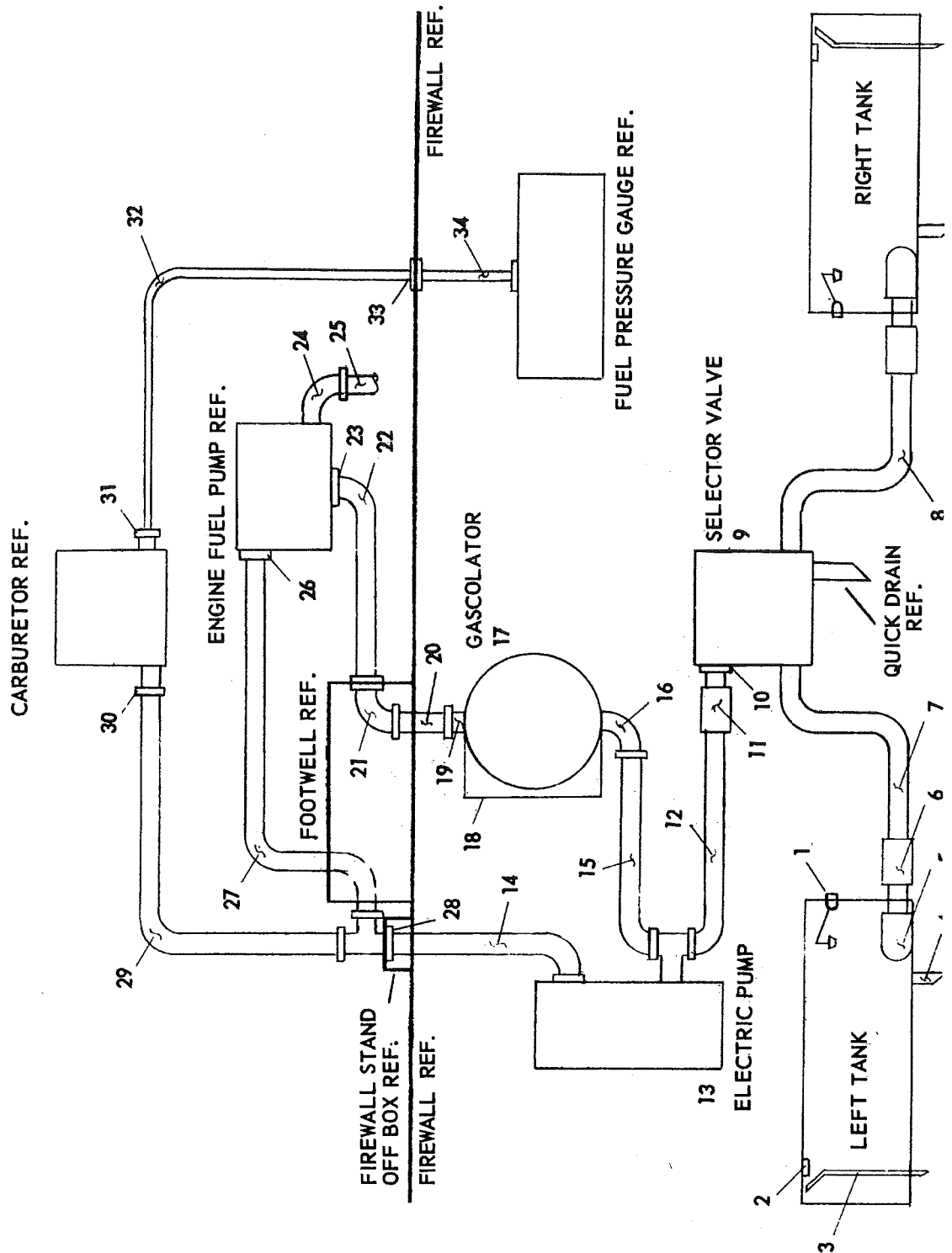




Fig.	Index	Parts No.	Description	Units Assy.
			FUEL SYSTEM SCHEMATIC, M-20B, C & D (1701-2622;101-200D)	
50	1	6452-1	INDICATOR, Left Tank	1
		6452-2	INDICATOR, Right Tank	1
	2	6460	CAP, Snap-tite	2
	3	2238-1	DRAIN & VENT ASSY., Left Tank	1
		2238-2	DRAIN & VENT ASSY., Right Tank	1
	4	F391-80-IF	VALVE, Fuel Drain	2
	5	2240	FUEL OUTLET & SCREEN ASSY.	2
	6	6048-19	HOSE	2
	7	6048-27	LINE, Left Side	1
	8	6048-25	LINE, Right Side	1
	9	6152	SELECTOR VALVE	1
	10	AN840-6D	UNION	1
	11	6048-39	HOSE	1
	12	6048-29	LINE	1
	13	610005-1	ELECTRIC PUMP INSTL.	1
	14	6048-37	LINE	1
	15	6048-33	LINE	1
	16	AN822-6D	FITTING	1
	17	5221	GASCOLATOR, Consolidair	1
	18	610003	GASCOLATOR, Bracket	1
	19	AN823-6D	ELBOW	1
	20	6048-13	LINE	1
	21	AN833-6D	ELBOW (90°)	1
		AN924-6D	NUT	1
	22	111-312-312- 6-9 3/8	HOSE, Stratoflex	1
	23	AN822-6D	FITTING	1
	24	AN823-6D	ELBOW (45°)	1
	25	111-312-649- 6-14	HOSE, Stratoflex	1
	26	AN823-6D	ELBOW (45°)	1
	27	111-312-649- 6-14	HOSE, Stratoflex	1
	28	AN804-6	BULKHEAD TEE	1
		AN924-6	NUT	1
		AN960-916		4
	29	111-312-646- 6-10 1/2	HOSE	1
	30	AN823-6D	ELBOW (45°)	1
	31	AN822-2D	ELBOW (90°)	1

Fig.	Index	Parts No.	Description	Units Assy.
32		193-311-311- 2-35	LINE, Stratoflex	2
33		AN960-516	WASHER	1
		AN832-2	UNION	1
		AN924-2	NUT	1
34		6048-31	LINE	1

FIG. 51 - FUEL SYSTEM SCHEMATIC, M-20C & D (2623C & On; 201D & On)

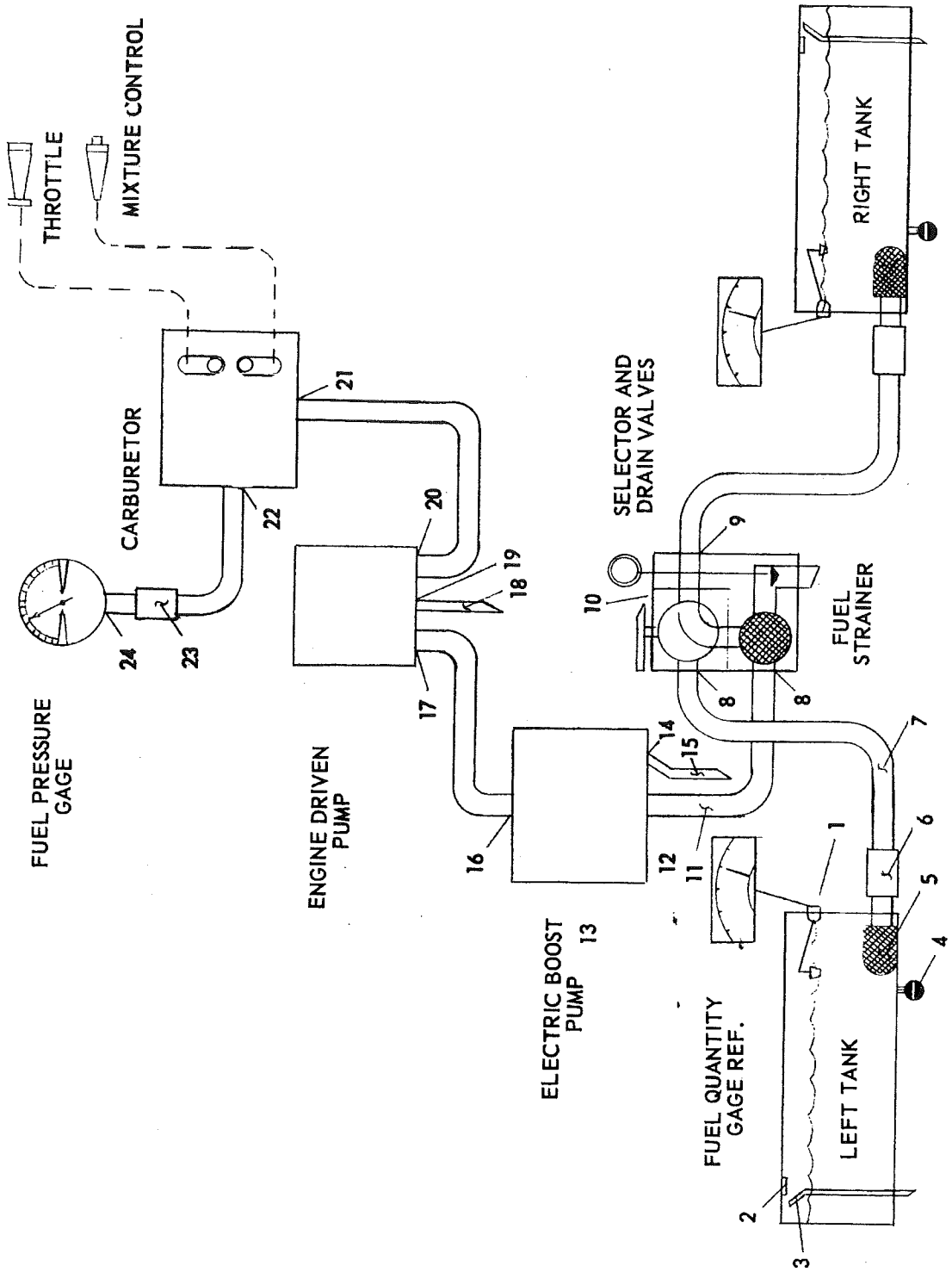




Fig.	Index	Parts No.	Description	Units Assy.
			FUEL SYSTEM SCHEMATIC, M-20C & D (2623C&On;201D&On)	
51	1	AC5642354	FUEL QUANTITY TRANSMITTER, Left Side	1
		AC5641991	FUEL QUANTITY TRANSMITTER, Right Side	1
	2	610036-501	CAP ASSY.	2
		431-21A	CAP, Snap-tite	2
	3	210098-501	VENT, Left Tank	1
		210098-502	VENT, Right Tank	1
	4	F-391-80-1F	FLUSH VALVE	2
	5	210100-1	FUEL OUTLET & SCREEN ASSY., Left Tank	1
		210100-2	FUEL OUTLET & SCREEN ASSY., Right Tank	1
	6	610034-27	HOSE, Right Side	2
	7	610034-3	LINE, Right Side	1
		610034-5	LINE, Left Side	1
		610034-29	COVER, Right Line	1
		610034-31	COVER, Left Line	1
	8	AN816-6D	NIPPLE	1
	9	AN822-6D	ELBOW	2
	10	HE-771	DRAIN VALVE	1
		HE-769	VALVE	1
	11	610034-7	LINE	1
	12	AN832-6	UNION	1
		AN960-916	WASHER	1
		AN924-6	NUT	1
		MS29512-6	"O" RING	1
	13	4140-00-21A	ELECTRIC BOOST PUMP	1
	14	2140-83	FITTING	1
	15	610034-9	LINE	1
	16	AN833-6	ELBOW	1
		AN6289-6	NUT	1
		AN6291-6	BACK-UP RING	1
		MS29512-6	"O" RING	1
	17	AN822-6	ELBOW	1
	18	610034-21	LINE, Drain	1
	19	AN823-4D	ELBOW	1
	20	AN823-6	ELBOW	1
	21	AN816-6	NIPPLE	1
	22	610013-1	RESTRICTOR	1
	23	AN833-2	ELBOW	1
		AN924-2	NUT	1
		AN960-516	WASHER	2
	24	22-627-01	SNUBBER	1

FIG. 52 - FUEL SYSTEM SCHEMATIC, M-20E

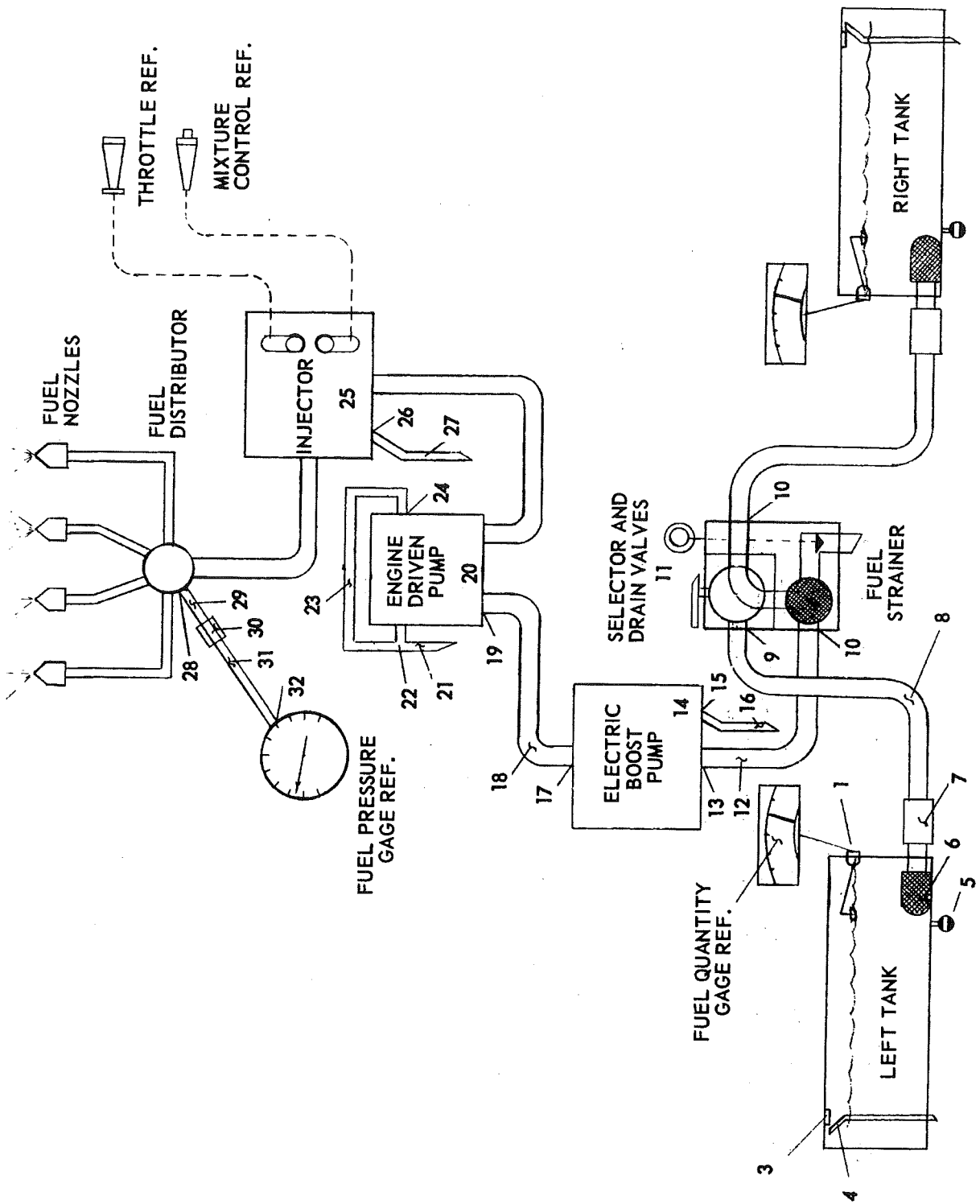




Fig.	Index	Parts No.	Description	Units Assy.
			FUEL SYSTEM SCHEMATIC, M-20E	
52	1	AC5642354	FUEL QUANTITY TRANSMITTER, Left Side	1
	2	AC5641991	FUEL QUANTITY TRANSMITTER, Right Side	1
	3	610036-501	CAP ASSY.	2
	4	210098-501	VENT ASSY., Left Tank	1
		210098-502	VENT ASSY., Right Tank	1
	5	F-391-80-IF	FLUSH VALVE	2
	6	210100-1	FUEL OUTLET & SCREW, Left Tank	1
		210100-2	FUEL OUTLET & SCREW, Right Tank	1
	7	610034-27	HOSE	2
	8	610034-3	LINE, Right Side	1
		610034-5	LINE, Left Side	1
		610034-29	COVER, Right Line	1
		610034-31	COVER, Left Line	1
	9	AN822-6D	ELBOW	1
	10	AN816-6D	NIPPLE	2
	11	HE-771	DRAIN VALVE	1
		HE-769	VALVE	1
	12	610034-7	LINE	1
	13	AN832-6	UNION	1
		AN960-916	WASHER	1
		AN924-6	NUT	1
		MS29512-6	"o" RING	1
	14	4140-00-19A	ELECTRIC BOOST PUMP	1
	15	2140-83	FITTING	1
	16	610034-9	LINE	1
	17	AN833-6	ELBOW	1
		AN6289-6	NUT	1
		AN6291-6	BACK-UP RING	1
		MS29512-6	"O" RING	1
	18	SF111-312-321-6	HOSE, Stratoflex (Ref.)	1
	19	AN822-6	ELBOW	1
	20	AC5656696	ENGINE DRIVEN PUMP	1
	21	610034-19	LINE	1
	22	AN825-4D	TEE	1
	23	610034-17	LINE	1
	24	AN823-4D	ELBOW	1
	25	RSA-5A01	INJECTOR, Bendix	1
	26	610041-1	FITTING	1
	27	610034-11	LINE	1
	28	610013-501	RESTRICTOR	1
	29	MS28741-3-45 1/2	HOSE	1
	30	AN833-3	ELBOW	1

Fig.	Index	Parts No.	Description	Units Assy.
		AN924-3	NUT	1
		AN960-616	WASHER	2
31		MS28741-3-19	HOSE	1
32		610013-503	RESTRICTOR	1

FIG. 53 - OIL SYSTEM INSTALLATION

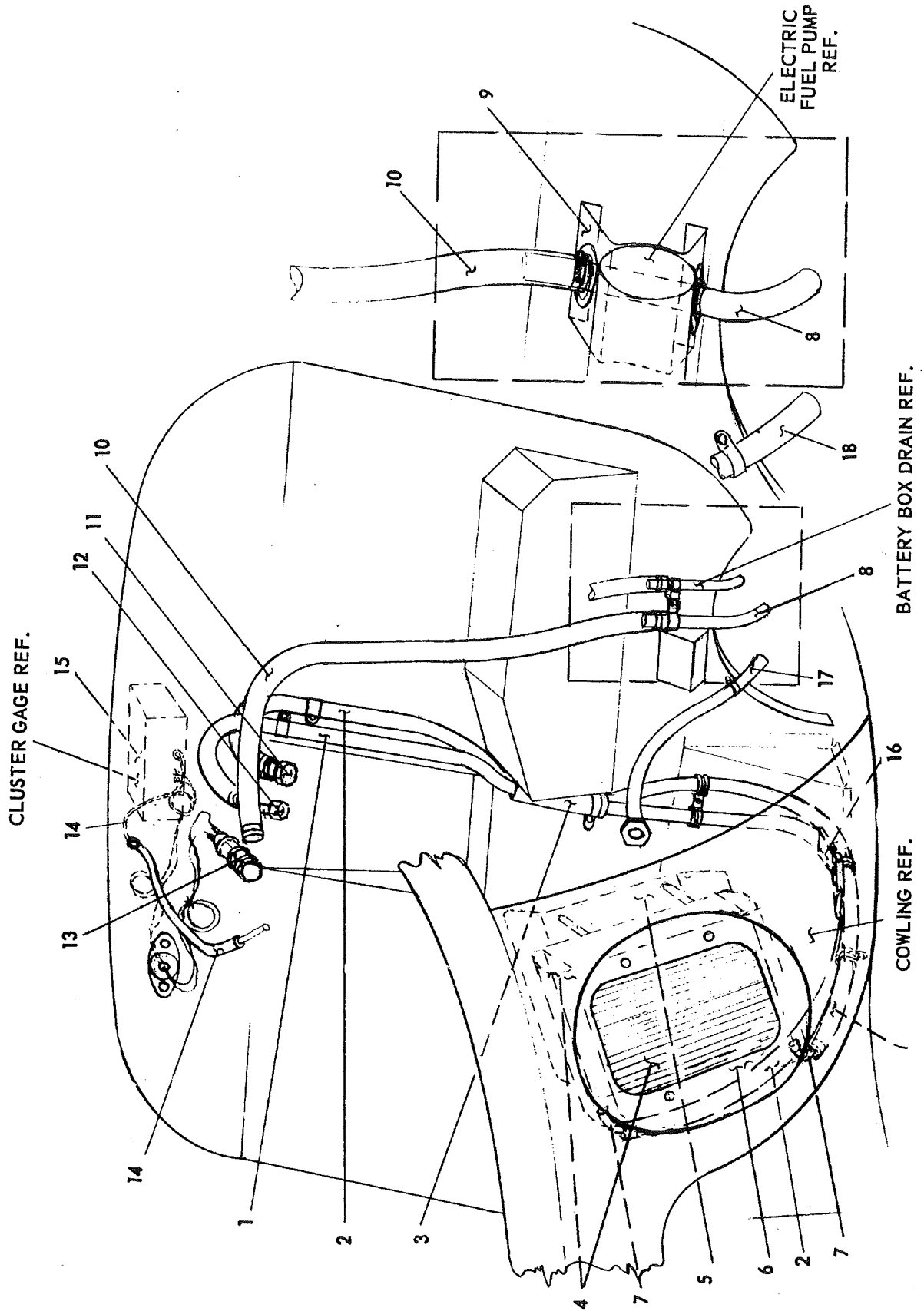




Fig.	Index	Parts No.	Description	Units Assy.
			OIL SYSTEM INSTALLATION	1
53	1	SF111-312-649-8D-50	LINE	1
		SF111-312-649-8D-53	LINE	1
	2	SF111-312-312-8D-55	LINE	1
		SF111-312-649-8D-50	LINE	1
	3	NO NUMBER	TUBE, Vinyl (8" x 3/4" ID)	1
	4	8526250	RADIATOR, Oil	1
		620001-3	RADIATOR, Oil	1
		620016	RADIATOR, Oil	1
		620017	SEAL	2
		620015-1	INSTALLATION PLATE ASSY.	1
	5	650018-7	AIR DEFLECTOR	1
		650013	AIR DEFLECTOR	1
	6	650017	BRACKET, Oil Cooler	1
		650049	BRACKET, Oil Cooler	2
	7	AN823-8D	ELBOW	2
		AN822-8D	ELBOW	1
		AN822-8D	ELBOW	1
		AN916-4D	ELBOW	1
	8	620006-1	TUBE, Oil Breather	1
		620003	TUBE, Oil Breather	1
		620013-5	TUBE, Oil Breather	1
	9	610032-3	BRACKET, Electric Fuel Pump	2
		AN931A14-20	GROMLET	1
	10	620000-9	TUBE	1
		620013-3	TUBE	1
	11	AN816-8D	NIPPLE	1
	12	294	"O" RING	1
		AN816-8D	NIPPLE	1
		AN823-8D	ELBOW	1
		620008	FITTING	1
	13	AC1513106	GAUGE, Oil Temp.	1
		AN5525-1	PROBE, Oil Temp.	2
	14	SF111-312-312-3-15	LINE, Oil Pressure	1
		6lx2	WEATHERHEAD	1
	15	AC1508359	GAUGE, Oil Pressure	1
		AC1513106	GAUGE, Oil Temperature	1
		660013-1	CLUSTER, Instrument	1
	16	620014-3	HEAT SHIELD	1
	17	HD-LF-180	OIL QUICK DRAIN	1
	18	610034-11	OIL QUICK DRAIN	1

FIG. 54 - CABIN INTERIOR, M-20B & C
(1961 & 1962)

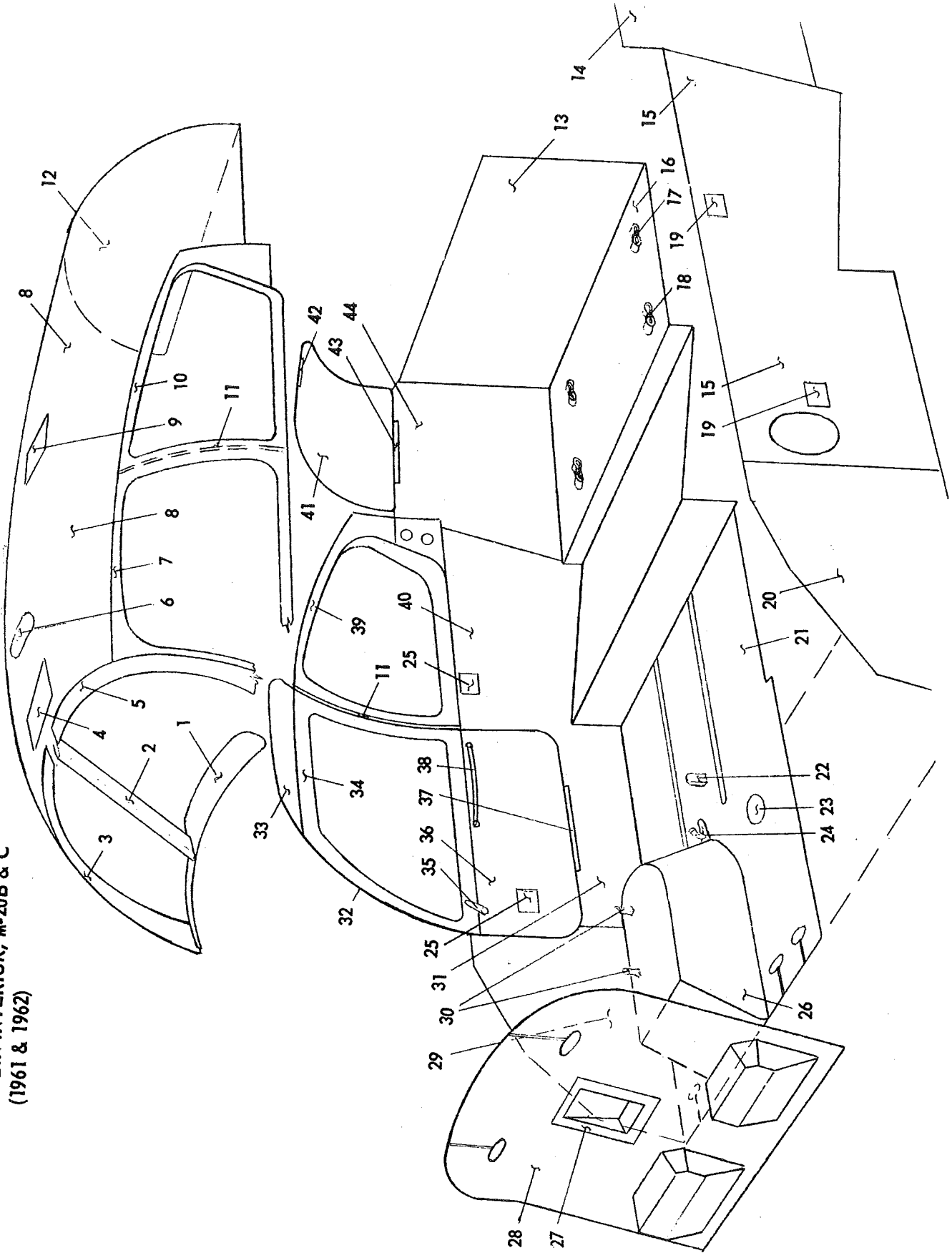




Fig.	Index	Parts No.	Description	Units Assy.
			CABIN INTERIOR, M-20B & C (1961-1962)	1
			GLARE SHIELD	1
54	1	8719	CHANNEL, Windshield Center Post (Royalite)	1
	2	3236	COVER PLATE, Instrument Light	1
	3	3268-2	WINDSHIELD MOULDING, Left Side	1
	4	8204-1	COVER PLATE, Speaker	1
	5	3268-1	COVER PLATE, Speaker	1
	6	8251-1	WINDOW MOULDING, Left Front	1
		8542-1	HEADLINER ASSY.	1
	7	8117-1	COVER PLATE, Domelight	1
	8	8330-1	WINDOW MOULDING, Left Rear	1
	9	8204-3	TRIM STRIP, Left Side	1
	10	8117-3	TRIM STRIP, Right Side	1
	11	8174-1	PANEL, Bag., Upper Rear	1
		8174-2	PANEL, Bag., Upper Rear	1
	12	8314	PANEL, Bag. Comp., Upper Rear	1
		8671-14	PANEL, Bag. Comp., Upper Rear	1
	13	8316	PANEL, Bag. Comp., Left Side	1
		8671-17	PANEL, Bag. Comp., Left Side	1
	14	8311	PANEL, Left Side	1
		8671-15	PANEL, Left Side	1
	15	8333	MAT, Bag. Comp., (Tan & Blue)	1
		8671-7	MAT, Bag. Comp., (Tahitian Brown)	2
	16	8328	BAGGAGE STRAP, Rear Pair	2
			BAGGAGE STRAP, Forward Pair	2
	17	3302-1	ASH TRAY	1
	18	3302-2	PANEL, Left Front	1
	19	C112-53	PANEL, Left Front	1
	20	8331	FLOOR MAT (Tan & Blue)	1
		8671-9	FLOOR MAT (Tahitian Brown)	1
	21	8326-7	TRIM GUARD (Metal)	1
		8326-7	TRIM GUARD (Royalite)	1
	22	8033	TRIM GUARD (Royalite)	1
		7231-7	PAN, Fuel Selector Valve	1
		7231-9	BOOT, Retraction Handle	2
	23	6131	ASH TRAY	1
	24	8329	CARPET, Wheel Well Sides (Tan & Blue)	1
	25	C112-53	CARPET, Wheel Well Sides (Tahitian Brown)	1
	26	8325	CARPET, Wheel Well Top (Tan & Blue)	1
		8671-21	CARPET, Wheel Well Top (Tahitian Brown)	1
		8324	COVER, Prop. Gov.	1
		8671-13		

27

Fig.	Index	Parts No.	Description	Units Assy.
28		8343	COVER, Firewall	1
29		8332	PANEL, Right Front	1
		8671-10	PANEL, Right Front	1
30		8323	BOOT, Control Tube	2
		8671-21	BOOT, Control Tube	2
31		8336	PANEL, Right Center	1
		8671-8	PANEL, Right Center	1
32		NO NUMBER	WINDLACE (Gray)	
		NO NUMBER	WINDLACE (Red or Blue)	
33		8337	PANEL, Upper Door	1
		8671-20	PANEL, Upper Door	1
34		8117-2	DOOR WINDOW MOULDING	1
35		8538	DOOR HANDLE	1
		3543	DOOR HANDLE	1
36		8338	PANEL, Lower Door	1
		8671-18	PANEL, Lower Door	1
37		8209-11	FAIRING, Cabin Door Sill	1
38		0511001-129	STRAP, Door Pull	1
39		8117-4	WINDOW MOULDING, Right Rear	1
40		8334	PANEL, Right Rear	1
		8671-12	PANEL, Right Rear	1
41		8317	PANEL, Bag. Door	1
		8671-22	PANEL, Bag. Door	1
42		340072	HANGER	1
43		8209-33	FAIRING, Bag. Door Sill	1
44		8312	PANEL, Bag. Comp., Right Side	1
		8671-16	PANEL, Bag. Comp., Right Side	1

When ordering upholstery panels, specify serial number of the aircraft and the interior color scheme.



FIG. 55 - CABIN INTERIOR, M-20C, D & E
(1963 & 1964)

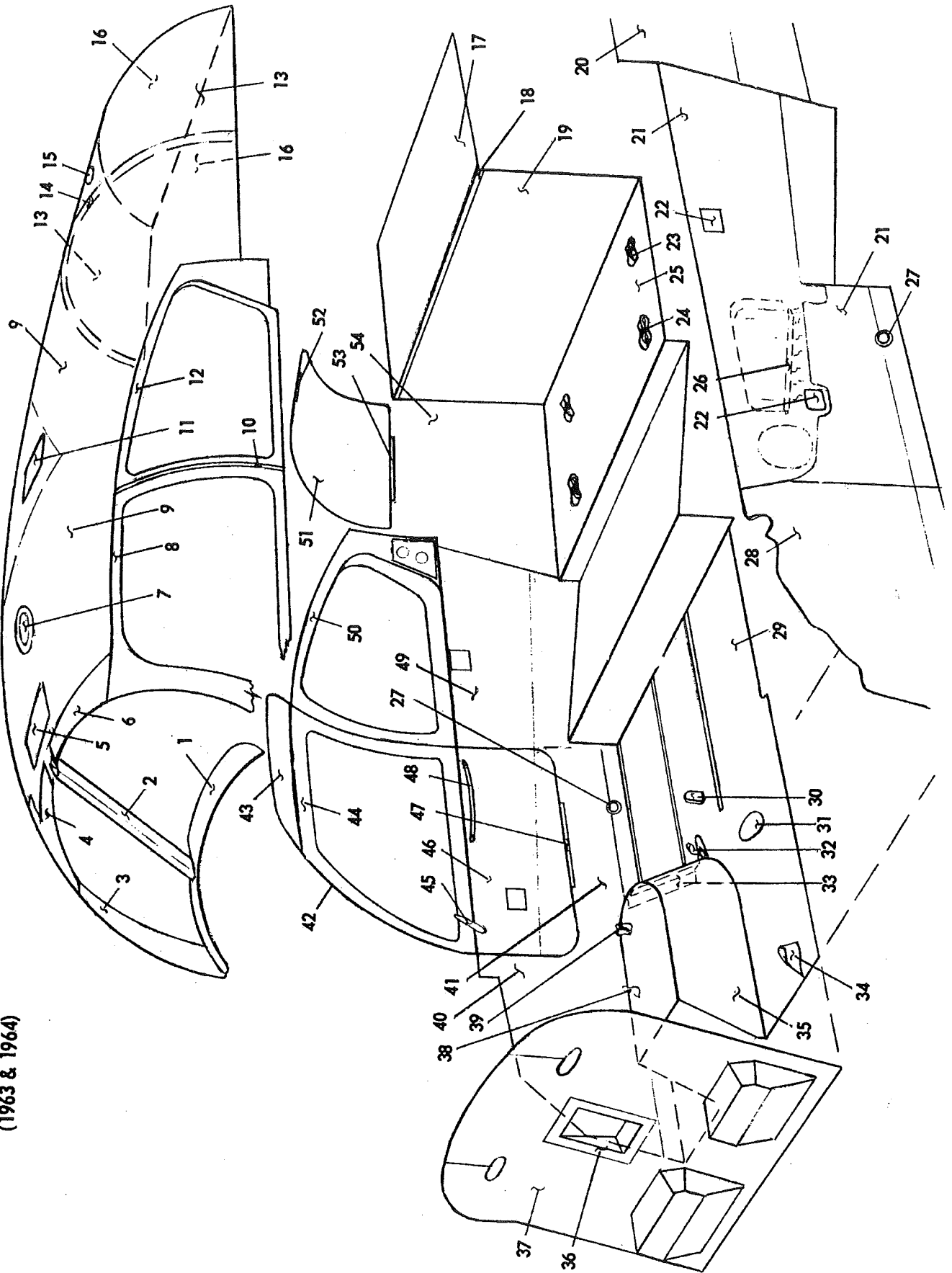




Fig.	Index	Parts No.	Description	Units Assy.
			CABIN INTERIOR, M-20C, D, & E (1963 & 1964)	
55	1	950027	GLARE SHIELD	1
	2	310039	CHANNEL (Royalite), Windshield Center Post	1
	3	130060-3	WINDSHIELD MOULDING (Royalite), Right Side	1
	4	130061-5	WINDSHIELD MOULDING (Royalite), Right Top	1
	5	640030-21	COVER PLATE ASSY., Instrument Light	1
		640030-9	COVER PLATE, Instrument Light	1
	6	130061-3	WINDSHIELD, Left Top	1
	7	810001-3	COVER PLATE (Royalite), Speaker	1
	8	340067-5	WINDOW MOULDING, Left Forward	1
		340067-11	WINDOW MOULDING, Left Forward	1
	9	130070-25	CABIN HEADLINER LE411 Columbus Coated Fabrics	1
	10	340085-3	TRIM STRIP	1
	11	640030-3	COVER PLATE, Dome Light	1
	12	340067-9	WINDOW MOULDING, (Royalite), Left Bar	1
		340073-1	WINDOW MOULDING, (Royalite), Left Rear	1
	13	130059-23	HAT RACK HEADLINER LE411 Columbus Coated Fabric	1
		130070-27	HAT RACK HEADLINER (Royalite)	1
	14	130062-3	COVER, (Royalite)	1
	15	640042-5	COVER, (Royalite)	1
		130074-1	COVER, (Royalite)	1
	16	130064-14	PANEL, Aft Bulkhead Upper	1
		130059-14	PANEL, Aft Bulkhead Upper	1
		130070-41	PANEL, Aft Bulkhead Upper	1
		130070-7	PANEL, Aft Bulkhead Upper LE411 Columbus Coated Fabrics	1
	17	130059-24	PANEL, Hat Rack Floor LE411 Columbus Coated Fabrics	1
		130070-11	Panel, Hat Rack Floor, (Royalite)	1
	18	130063-5	COVER	1
	19	130059-17	PANEL, Lower Aft Bulkhead I. LEL411 Beige & 488 Copper Tweed or LEL411 Beige & 4109 Black & White Tweed	1
		130064-17	PANEL, Lower Aft Bulkhead II. CH73 Us. Naughyde Sand	1
		130070-9	PANEL, Lower Aft Bulkhead III. 6434 Platinum Bone (Upper Matl.) 5035 Gold or EF717 Ombre (Lower Matl.)	1
		130070-75	PANEL, Lower Aft Bulkhead IV. 6434 Platinum Bone (Upper Matl.) 8002 Orange or 8004 Taffy (lower Matl.)	1

Fig.	Index	Parts No.	Description	Units Assy.
20	130059-15		PANEL, Baggage Compartment, Left Side Matl. Same as Index No. 19 I.	1
	130064-15		PANEL, Baggage Compartment, Left Side Matl. Same as Index No. 19 II.	1
	130070-53		PANEL, Baggage Compartment, Left Side Matl. Same as Index No. 19 III.	1
	130070-67		PANEL, Baggage Compartment, Left Side Matl. Same as Index No. 19 IV	1
21	130059-7		PANEL, Left Side I. 488 Copper Tweed & EF312 Saddle or 4109 Black & White Tweed, & EF323 Black	1
	130064-7		PANEL, Left Side Matl. Same as Index No. 19 II	1
	130070-5		PANEL, Left Side Matl. Same as Index No. 28 III.	1
	130070-69		PANEL, Left Side Matl. Same as Index No. 28 IV.	1
22	C-112-53		ASH TRAY (Light Beige)	4
	130070-59		ASH TRAY COVER	4
23	3302-1		BAGGAGE STRAPS, Rear Pair	2
24	3302-2		BAGGAGE STRAPS, Forward Pair	2
25	130059		MAT, Baggage Compartment (Tahitian Brown)	1
	130064		MAT, Baggage Compartment (Tahitian Brown)	1
	130070-35		MAT, Baggage Compartment (Tahitian Sand)	1
26	130073-1		ARM REST ASSY. (1133 Sand Beige)	1
	130073-9		PAD (5647 Platinum Bone)	1
27	640042-3		COVER, Cabin Vent Outlet	2
28	130059-9		PANEL, Left Front I. 488 Copper Tweed or 4109 Black & White Tweed	1
	130064-9		PANEL, Left Front II. CH73 Us. Naughyde Sand	1
	130070-3		PANEL, Left Front III. 5035 Gold or EF717 Ombre	1
	130070-77		PANEL, Left Front IV. 8004 Taffy or 8002 Orange	1
29	130059		FLOOR MAT (Tahitian Brown)	1
	130064		FLOOR MAT (Tahitian Brown)	1
	130070-33		FLOOR MAT (Tahitian Sand)	1
	130070-57		FLOOR MAT (Tahitian Sand)	1
30	740054-3		COVER, Trim Control Mechanism	1
	740054-501		COVER, Trim Control Mechanism	1
31	610016-3		PAN, Fuel Selector Valve	1
	610035		PAN, Fuel Selector Valve	1
32	130067-5		BOOT, Retraction Lev. Assy.	1

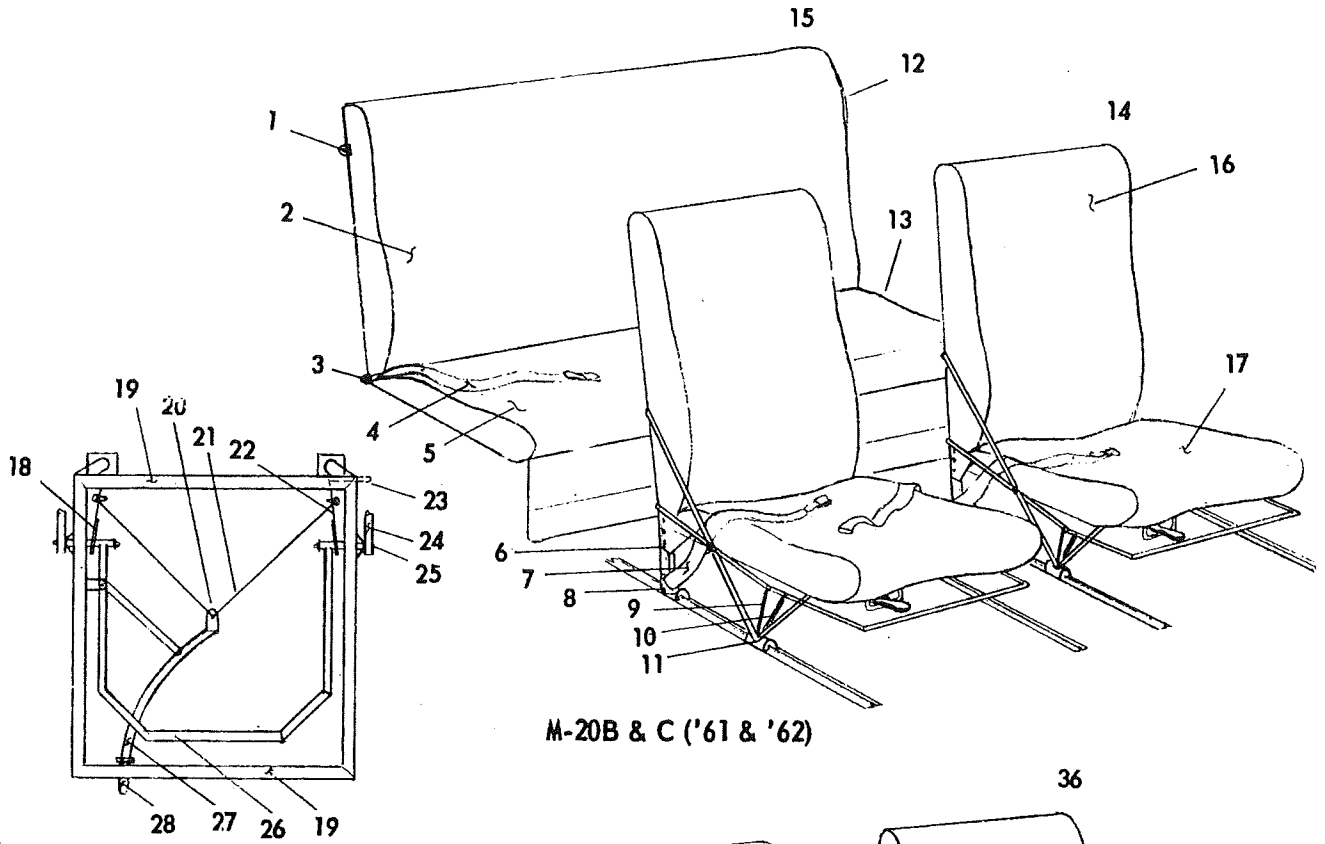


Fig.	Index	Parts No.	Description	Units Assy.
55	33	740020	TRIM & FLAP INDICATOR HOUSING	1
		740020-501	TRIM & FLAP INDICATOR HOUSING	1
	34	130067-501	BOOT, Rudder-Brake Pedal	4
	35	130059	CARPET, Wheel Well Sides (Tahitian Brown)	1
		130059	CARPET, Wheel Well Top (Tahitian Brown)	1
		130064-21	CARPET, Wheel Well Sides (504 Crest Conversion)	1
		130064-13	CARPET, Wheel Well Top (504 Crest Conversion)	1
		130070-31	CARPET, Wheel Well Sides (Tahitian Sand)	1
		130070-29	CARPET, Wheel Well Top (Tahitian Sand)	1
	36	130059-27	COVER, Governor Well	1
		130064-27	COVER, Governor Well	1
		130070-39	COVER, Governor Well	1
	37	130059-29	COVER, Firewall	1
		130064-29	COVER, Firewall	1
		130070-37	COVER, Firewall	1
	38	130067-7	BOOT, Elevator Control Tube	1
	39	130067-9	BOOT, Aileron-Flap Control Tube Assy.	1
	40	130059-10	PANEL, Right Front	1
			Matl. Same as Index No. 28 I.	
		130059-10	PANEL, Right Front	1
			Matl. Same as Index No. 28 II	
		130070-19	PANEL, Right Side Front & Below Door	1
			Matl. Same as Index No. 28 III.	
		130070-79	PANEL, Right Side Front & Below Door	1
			Matl. Same as Index 28 IV.	
	41	130059-8	PANEL, Right Side Below Door	1
			Matl. Same as Index No. 28 I	
		130064-8	PANEL, Right Side Below Door	1
			Matl. Same as Index No. 28 II	
		130070-19	PANEL, Right Side Front & Below Door	1
			Matl. Same as Index No. 28 III	
		130070-19	PANEL, Right Side & Below Door	1
			Matl. Same as Index No. 28 IV	
	42	NO NUMBER	WINDLACE (Sahara Sand)	
		71T	WINDLACE	
	43	130059-20	PANEL, Upper Door	1
		130064-20	PANEL, Upper Door	1
		130070-23	PANEL, Upper Door	1
			All Matl. Same as Index No. 9	
	44	340067-7	WINDOW MOULDING, Door	1
	45	310146-5	HANDLE, Inside Door	1
		310116-9	HANDLE, Inside Door	1
	46	130059-18	PANEL, Lower Door	1
			Matl. Same as Index No. 21 I.	

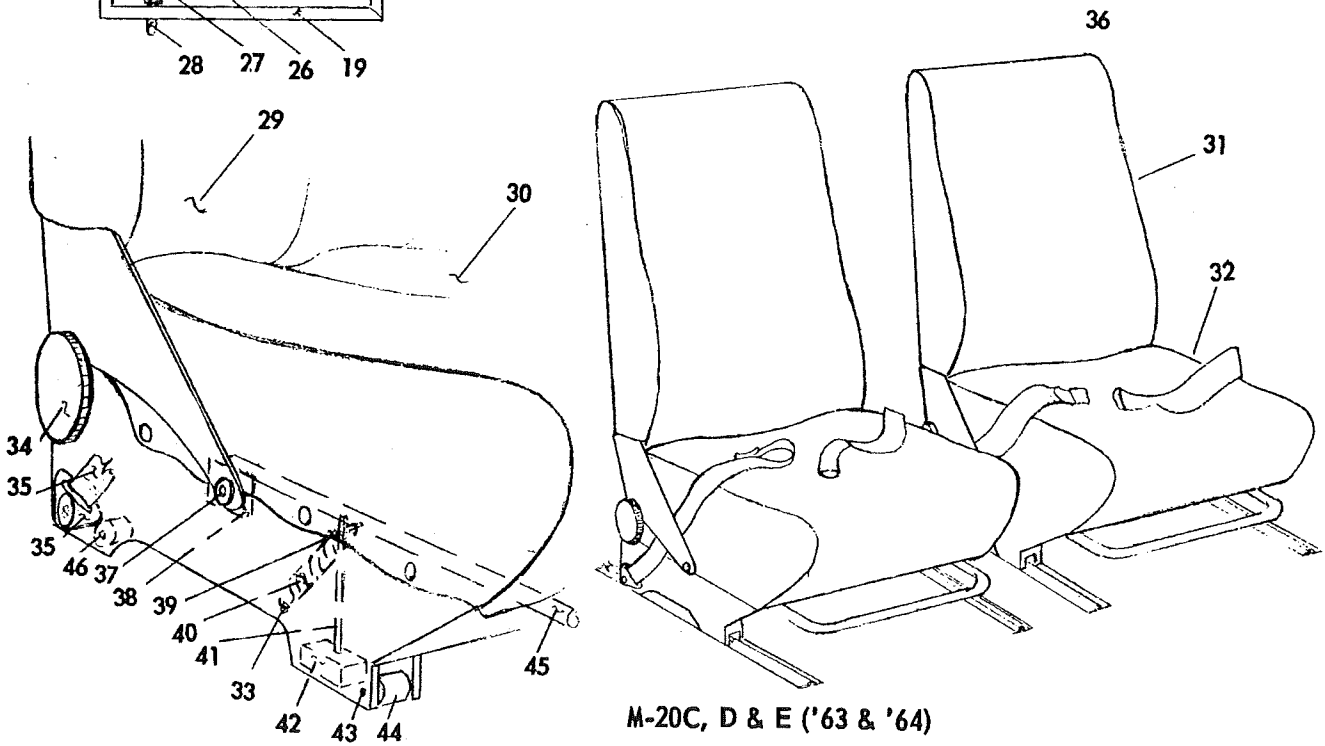
Fig.	Index	Parts No.	Description	Units Assy.
		130046-18	PANEL, Lower Door Matl. Same as Index No. 19 II	1
		130070-21	PANEL, Lower Door Matl. Same as Index No. 19 III.	1
		130070-81	PANEL, Lower Door Matl. Same as Index No. 19 IV.	1
47		340078	SILL, Cabin Door	1
48		130070	DOOR PULL STRAP	1
49		130059	PANEL, Right Rear Matl. Same as Index No. 21 I.	1
		130064-16	PANEL, Right Rear Matl. Same as Index No. 19 II	
		130070-17	PANEL, Right Rear Matl. Same as Index No. 19 III	1
		130070-71	PANEL, Right Rear Matl. Same as Index No. 19 IV	1
50		340067-10	WINDOW MOULDING, Right Rear	1
		340073-2	WINDOW MOULDING, Right Rear	1
51		130059-22	PANEL, Baggage Compartment Door	1
		130064-22	PANEL, Baggage Compartment Door	1
		130070-13	PANEL, Baggage Compartment Door All Matl. Same as Index No. 9	1
52		340072	HANGER	1
53		340078-33	SILL, Baggage Compartment	1
54		130059-16	PANEL, Right Side of Baggage Compartment Matl. Same as Index No. 19 I.	1
		130064-16	PANEL, Right Side of Baggage Compartment Matl. Same as Index No. 19 II.	1
		130070-15	PANEL, Right Side of Baggage Compartment Matl. Same as Index No. 19 III.	1
		130070-73	PANEL, Right Side of Baggage Compartment Matl. Same as Index No. 19 IV.	1

When ordering upholstery panels, specify serial number of the aircraft and the interior color scheme.

FIG. 56 - SEAT ASSEMBLY & INSTALLATION



M-20B & C ('61 & '62)



M-20C, D & E ('63 & '64)



Fig.	Index	Parts No.	Description	Units Assy.
			SEAT ASSEMBLY AND INSTALLATION	
56	1	3512-7	BRACKET, Left	1
		3512-8	BRACKET, Right	1
		AN3-5A	BOLT	2
		AN365-1032	NUT	2
		AN960-10	WASHER	4
	2	130070-65	REAR SEAT UPHOLSTERY, Back	1
			I. 8004 Taffy-With 5653 Gold Chalet Trim	
			8002 Orange-With 5647 Platinum Bone Trim	
		130070-49	REAR SEAT UPHOLSTERY, Back	1
			II. 4284-40 Exotic-With 5653 Gold Chalet Trim	
			4284-41 Rustic-With 5647 Platinum Bone Trim	
		130064	REAR SEAT UPHOLSTERY, Back	1
			III. Seat Trim: Mssl Us. Naugahyde Sand Metallic	
			Insert: Mansfield Brick Red Fabric	
		130059	REAR SEAT UPHOLSTERY, Back	1
			IV. EF312 Saddle & 488 Copper Tweed	
			EF323 Black, & 4109 Black & White Tweed	
		130056	REAR SEAT UPHOLSTERY, Back	1
			V. Seat Fa cings: Sahara Sand	
			Sides & Back: Naugahyde M.S. -3,	
			Blue or Jamaica Red	
	3	AN3-10A	BOLT	2
		AN365-1032	NUT	2
		AN960-10	WASHER	2
		AN970-3	WASHER	2
		8026-6	BUSHING	2
		AN960-10L	WASHER (as required)	2
	4	NO NUMBER	SAFETY BELT, Rear	2
	5	130070-63	REAR SEAT UPHOLSTERY, Bottom	1
			Matl. Same as Index No. 2 I.	
		130070-51	REAR SEAT UPHOLSTERY, Bottom	1
			Matl. Same as Index No. 2 II.	
		130064	REAR SEAT UPHOLSTERY, Bottom	1
			Matl. Same as Index No. 2 III.	
		130059	REAR SEAT UPHOLSTERY, Bottom	1
			Matl. Same as Index No. 2 IV.	
		130056	REAR SEAT UPHOLSTERY, Bottom	1
			Matl. Same as Index No. 2 V.	
	6	3666	PLUNGER	2
		3668	RING, Snap	2
		3665	SPRING	2
		AN996-12	SPRING	2
		3521	SEAT BOTTOM FRAME, Front	1

Fig.	Index	Parts No.	Description	Units Assy.
7		NO NUMBER	SAFETY BELT, Front Seat	2
8		8026-6	BUSHING	2
		AN23-23A	BOLT	2
		AN970-3	WASHER	2
		AN365-1032	NUT	2
9		3057	LOCK PIN	2
10		976	SPRING	1
11		3028	ROLLER, Seat	4
		AN23-19A	BOLT	1
		AN960-10	WASHER	1
		AN365-1032	NUT	1
12		140010	REAR SEAT ASSY., Back	1
13		140036-11	REAR SEAT ASSY., Bottom	1
		140061-9	REAR SEAT ASSY., Bottom	1
14		3650	FRONT SEAT ASSY.	1
		140000	FRONT SEAT ASSY.	1
15		8527	REAR SEAT ASSY.	1
16		130056	FRONT SEAT UPHOLSTERY, Back	1
			Matl. Same as Index No. 2 V.	
17		130056	FRONT SEAT UPHOLSTERY, Bottom	1
			Matl. Same as Index No. 2 V.	
18		3656	REINFORCEMENT, Spring	2
19		3521	FRAME, Seat Bottom	1
20		AN3-6A	BOLT	1
		AN365-1032	NUT	1
21		3654-1	CABLE, Latch	1
22		3655	SPRING, Pin	2
23		3657	PIN, Latch	2
24		3652-1	FRAME, Seat Back	1
25		7042-1	BUSHING	2
		7042-3	BUSHING	2
		AN23-36A	BOLT	2
		AN365-1032	NUT	2
		AN960-10	WASHER	2
26		3519	HANDLE, Lock	1
27		3518	LEVER ARM, Latch Pin	1
28		3669	KNOB, Lever Arm	1
29		130070-83	FRONT SEAT UPHOLSTERY, Back	1
			Matl. Same as Index No. 2 I.	
		130070-45	FRONT SEAT UPHOLSTERY, Back	1
			Matl. Same as Index No. 2 II.	
		130064	FRONT SEAT UPHOLSTERY, Back	1
			Matl. Same as Index No. 2 III.	



Fig.	Index	Parts No.	Description	Units Assy.
		130059	FRONT SEAT UPHOLSTERY, Back Matl. Same as Index No. 2 IV.	1
30		130070-61	FRONT SEAT UPHOLSTERY, Bottom Matl. Same as Index No. 2 I.	1
		130070-47	FRONT SEAT UPHOLSTERY, Bottom Matl. Same as Index No. 2 II.	1
		130064	FRONT SEAT UPHOLSTERY, Bottom Matl. Same as Index No. 2 III.	1
		130059	FRONT SEAT UPHOLSTERY, Bottom Matl. Same as Index No. 2 IV.	1
31		140044-1	FRONT SEAT BACK ASSY.	1
		140078	FRONT SEAT BACK ASSY.	1
32		140049-1	FRONT SEAT BOTTOM ASSY.	1
		140049-501	FRONT SEAT BOTTOM ASSY.	1
33		AN42-4	BOLT	1
		AN960-10L	WASHER	1
		AN365-1032	NUT	1
34		140041-5	CONTROL KNOB	2
		140055-3	ACTUATOR SHAFT	1
		RP-A-59-028-125-1125	ELASTIC STOP NUT	2
35		M75M6-B21-T31	SAFETY BELT (Beige)	1
		M75M6-B21-T31	SAFETY BELT (Black)	1
36		140040-1	FRONT SEAT ASSY.	1
		140040-501	FRONT SEAT ASSY.	1
37		AN24-40	BOLT	2
		AN960-416L	WASHER	2
		AN365-428	NUT	2
		140056-3	BUSHING	2
38		140057-3	SPACER	2
39		140040-3	SPACER	2
		AN392-43	BUSHING	2
40		916000	SPRING	2
41		140050-3	LOCKING PIN	2
42		140046-5	GUIDE	2
43		AN24-22	BOLT	1
		AN960-416L	WASHER	2
		AN365-428	NUT	1
44		14004	ROLLER, Seat	4
45		140042-3	ACTUATING LEVER	1
46		AN24-28	BOLT	1
		AN970-4	WASHER	1
		AN960-416L	WASHER	1
		AN365-428	NUT	1

When ordering seat upholstery, specify serial number of the aircraft and the interior color scheme.

FIG. 57 - INTERIOR PLACARDS & DECALS

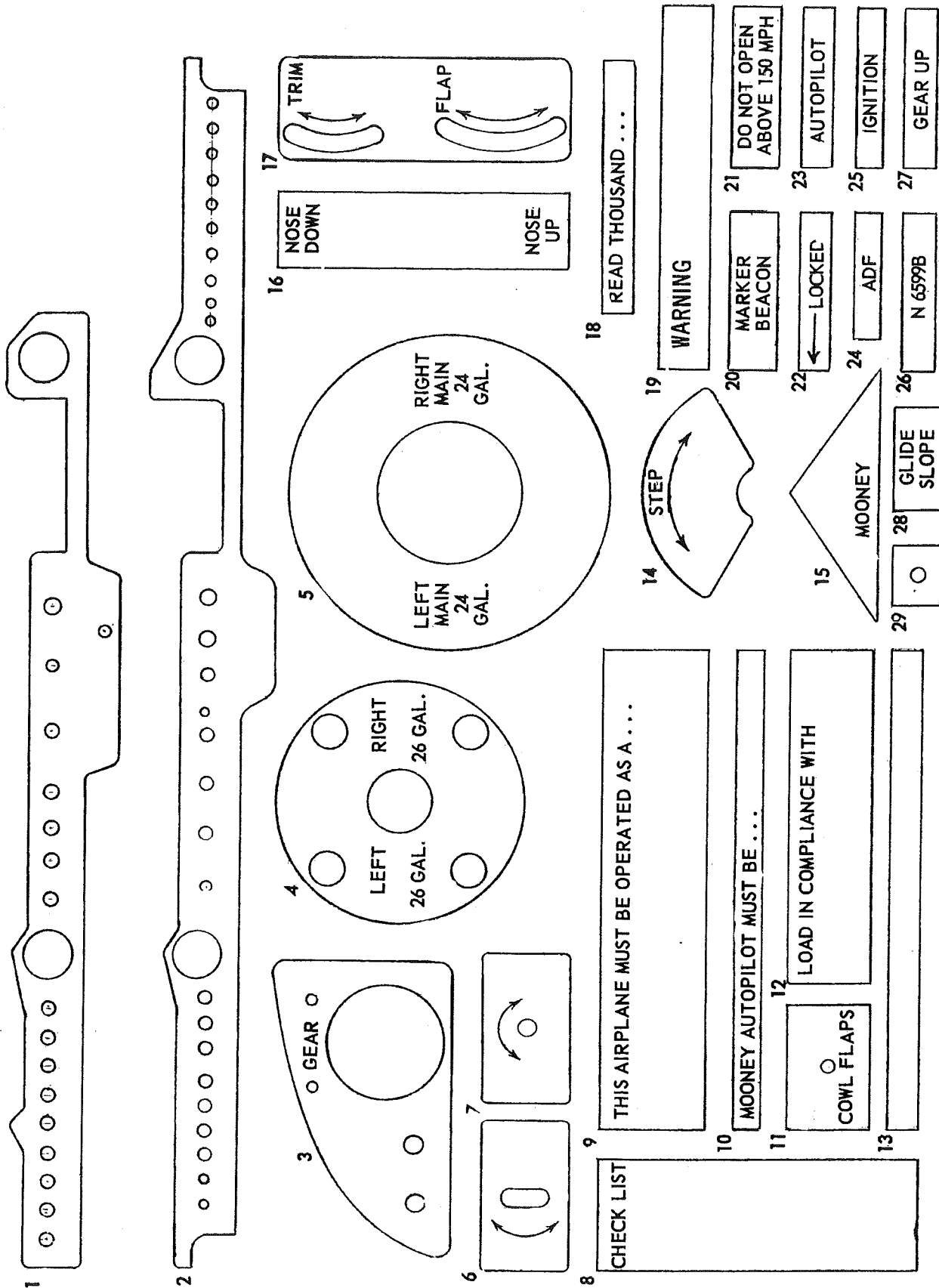




Fig.	Index	Parts No.	Description	Units Assy.
			INTERIOR PLACARDS & DECALS	
57	1	150000-7	BASE PANEL PLACARD	1
	2	150015-5	BASE PANEL PLACARD	1
		150015-3	BASE PANEL PLACARD	1
	3	150000-11	PLACARD, Sub Panel	1
		150000-37	PLACARD, Sub Panel	1
	4	150010-41	SELECTOR VALVE PAN DECAL	1
	5	150010-35	SELECTOR VALVE PAN DECAL	1
	6	150000-13	PLACARD, Vent	1
	7	150000-15	PLACARD, Instrument Light	1
	8	150010-47	PLACARD, Check List	1
	9	150010-17	DECAL, Normal Category	1
		150010-33	DECAL, Normal Category	1
	10	950085-3	DECAL, Autopilot (Optional Equipment)	1
	11	150000-19	PLACARD, Cowl Flaps	1
	12	150010-19	DECAL, Baggage Compartment	1
	13	150001-11	DECAL, Circuit Breaker	1
		150001-9	DECAL, Circuit Breaker	1
	14	150000-17	PLACARD, Step	1
	15	NO NUMBER	PLACARD, Control Wheel	1
		130057-3	PLACARD, Control Wheel	1
	16	8522-13	DECAL, Trim	1
	17	150010-15	PLACARD, Trim & Wing Flap	1
		150000-21	PLACARD, Trim & Wing Flap	1
		150016-3	PLACARD, Trim & Wing Flap	1
		150016-5	PLACARD, Trim & Wing Flap	1
	18	150000-31	PLACARD, Altimeter	1
	19	150010-49	DECAL, Hat Rack	1
	20	950085-7	PLACARD, Marker Beacon (Optional Equipment)	1
	21	150010-23	DECAL, Storm Window	1
	22	150010-25	DECAL, Door	1
	23	950085-5	PLACARD, Autopilot (Optional Equipment)	1
	24	150000-27	PLACARD, ADF (Optional Equipment)	1
	25	150001-19	DECAL, Ignition	1
	26	150000-23	DECAL, Registration Number	1
	27	150010-37	DECAL, Gear Up	1
	28	950085-9	DECAL, Glide Slope	1
	29	150018	PLACARD, Power Boost	1



Fig.	Index	Parts No.	Description	Units Assy.
ELECTRICAL SYSTEM SCHEMATIC				
58-62	1	1101915	GENERATOR	1
	2	1119224	VOLTAGE REGULATOR	1
	3	109-250-101	CIRCUIT BREAKER-GENERATOR	1
	4	R-35	BATTERY	1
	5	AN3022-2	SWITCH-GENERATOR	1
	6	AN3023-2	SWITCH-MASTER	1
	7	1109689	STARTER	1
	8	10-126690-1	SWITCH-IGNITION & STARTER	1
	9	PSM-5N	CIRCUIT BREAKER-GEAR WARNING	1
	10	AM911-M-3A	LIGHT-GEAR WARNING (Green)	1
	11		SWITCH-GEAR WARNING	
		BZ-7-RWT80	(Retr. Handle)	1
	12		SWITCH-GEAR WARNING	
		BZ-7-RQIT	(Throttle)	1
	13	139	HORN-GEAR WARNING	1
	14	VM911-M 2A	LIGHT-GEAR WARNING (Red)	1
	15	PSM-5N	CIRCUIT BREAKER-FUEL PUMP	1
	16	AN3021-2 (511TSI-2)	SWITCH-FUEL PUMP	1
	17	476087	PUMP-FUEL ELECTRIC	1
	18	PSM-5N	CIRCUIT BREAKER-FUEL GAUGE	1
	19	5643860	GAUGE-FUEL QUANTITY	1
	20	AN3021-3 (511TSI-3)	SWITCH-FUEL GAUGE	1
	21	5641991	GAUGE UNIT-FUEL TANK, Right	1
	22	PSM-5N	CURCUIT BREAKER-STALL WARNING	1
	23		INDICATOR-SAFE FLIGHT	
		164-R	(Stall Warning)	1
	24		PRE-STALL WARNING SWITCH-LEFT	
		C-46001	DETECTOR	1
	25	PSM-2N	CIRCUIT BREAKER-TURN & Bank	1

Fig.	Index	Parts No.	Description	Units Assy.
26		NS272000-A1	INDICATOR-TURN & BANK	1
27		PSM-10N	CIRCUIT BREAKER-NAV. LIGHTS	1
28		AN3021-2 (511TSI-2)	SWITCH-NAV. LIGHTS	1
29		A1285	LIGHTS ASSEMBLY-WING	2
30		A2064-12	LIGHT ASSEMBLY-TAIL	1
31		PSM-35N	CIRCUIT BREAKER-LANDING LIGHT	1
32		AN3021-2	SWITCH-LANDING LIGHT	1
33		#4537	LIGHT-LANDING	1
34		PSM-5N	CIRCUIT BREAKER-PANEL LIGHTS	1
35		#25-25	RHEOSTAT (25r)-Panel Lights	1
36		A1425-R	LIGHT-PANEL ASSEMBLIES	2
37		330	LAMP COMPASS	1
38		83B1310-117	LAMP-FUEL SELECTOR	1
39		PSM-10N	CIRCUIT BREAKER-DOME LIGHTS	1
40		B3555A12	LIGHTS & SWITCH ASSEMBLY DOME	1
41		1502373	AMMETER	1
42		001464	SOLENOID-STARTER	1
43		S4LN200	MAGNETO-LEFT	1
44		S4LN204	MAGNETO-RIGHT	1
45		10-87998-1	VIBRATOR-STARTING	1
46		AN3021-2 (511TS1-2)	SWITCH-STARTER SOLENOID CUTOUT	1
47		840 (or Equiv.)	VOLTMETER TURN & BANK	1
48		#4-2272	CIGAR LIGHTER	1
49		D-7270-5-10	HEATED PITOT CIRCUIT BREAKER	1
50		D-7270-5-10	ROTATING BEACON CIRCUIT BREAKER	1
51		PSM-2N	ADF RADIO CIRCUIT BREAKER (For ADF-29)	1
52		PSM-5N	ADF RADIO CIRCUIT BREAKER (FOR ADF T-12)	1
53		10 AMP 31101Q & 155020A	FUSE & FUSE RETAINER	1
54		46 AMS	LOUD SPEAKER	1
55		P. H. 502-12	PITOT-OPTIONAL	1
56		G-8400-8-12 or D-7080-1-12	ROTATING BEACON-OPTIONAL	1
57			RADIO-OPTIONAL	
58			ADF RADIO-OPTIONAL	
59		AN2552-3A	RECEPTICAL-EXTERNAL POWER	1
60		001464	SOLENOID	1
61		AN3106-14S-1S	CONNECTOR-ELECTRIC PLUG	1
62		C-12	INDICATOR-CARB. AIR TEMP.	1
63		B-5	PROBE-TEMP. SENSING	1
64			ADAPTOR-ELECTRICAL	
		AN3057-6	ACCESSORY TO CABLE	1
65		6041H34B	POWER RELAY	1



Fig.	Index	Parts No.	Description	Units Assy.
66		AN5525-1	BULB-OIL TEMP.	1
67		AN3106A-125-3S	PLUG-CONNECTOR	1
68		AN3057-4	CLAMP-CABLE	1
69		AN5546-1	PROBE-CYLINDER HEAD TEMP.	1
70		AN4076-1	ADAPTOR	1
71		AN3027-2	SWITCH-MASTER	1
72		105918	SHUNT	1
73		P4-W	SPEAKER-RADIO	2
74		4522	LIGHT-LANDING	1
75		PSM-10N	CIRCUIT BREAKER-RADIO	2
76		PSM-2N	CIRCUIT BREAKER-RADIO (For ADF-T29)	1
77		PSM-5N	CIRCUIT BREAKER-RADIO (For ADF-T12)	1
78		PSM-5N	CIRCUIT BREAKER-INST. & DOME LIGHT	1
79		PSM-5N	CIRCUIT BREAKER-INSTRUMENT	1
80		PSM-10N	CIRCUIT BREAKER-IGNITION	1
81		D7270-5-20	CIRCUIT BREAKER-LANDING LIGHT	1
82		D7270-5-5	CIRCUIT BREAKER-NAVIGATION LIGHT	1
83		D7270-5-10	CIRCUIT BREAKER-ROTATING BEACON	1
84		D7270-5-5	CIRCUIT BREAKER-FUEL PUMP	1
85		23-602	INDICATOR LIGHTS-HIGH & LOW VACUUM	1
86		660013-1	CLUSTER GAGE	1
87		2350	CIRCUIT BREAKER-BUSS BAR	1
88		V3-1 (AN323401)	SWITCH-LANDING GEAR WARN- WARNING-THROTTLE	1
89		820011-1	INDICATOR-TURN & BANK	1
90		974-TF	SWITCH-PRESS TO TEST HIGH & LOW VACUUM	1
91		10 AMP 31101 Q & 155020 A	FUSE & FUSE RETAINER	1
92		10 AMP 31101 Q & 155020 A	FUSE & FUSE RETAINER	1
93		5642354	FUEL QUANTITY TRANSMITTER-LEFT	1
94		MS 3108B 10 SL-3S	CONNECTOR-ELECTRIC PLUG	1
95		22-1280-04	VACUUM SWITCH (High & Low Vacuum)	1

Fig.	Index	Parts No.	Description	Units Assy.
96		660014-3	Indicator-Carb. Air Temp.	1
97		AN3106B-14S-2S	Connector-Electric Plug	1
98			Circuit Breaker	1
99			Circuit Breaker	As needed
100		A1285-R-12	Light Assembly-Wing, Red	1
101		A1285-G-12	Light Assembly-Wing, Green	1
102		10-126680-2	Switch-Ignition & Start	1
103		721120 (V5F43)	Speaker-Radio	1
104		660057-3	Cluster Gauge	1
105			Switch Alt. Air Warning (Alt. Air Control)	1
106		V3-1 (AN3234-1)		1
		39-14-371	Indicator Lamp	1
		7538-XP12		
		7538-XP51		
107		4140-00-19	Electric Fuel Pump	1
108		D7270-5-10	Circuit Breaker-Fuel Pump	1
109		4140-00-21	Electric Fuel Pump	1
110		660013-501	Cluster Gauge	1
111		AN3106B-18-85	Connector - Cluster Gauge	1
		AN3057-10		
112		660013-503	Cluster Gauge	1
113		660057-501	Cluster Gauge	1

FIG. 63 -- CABIN VENTILATION SYSTEM, M-20B & C (1701-2296)

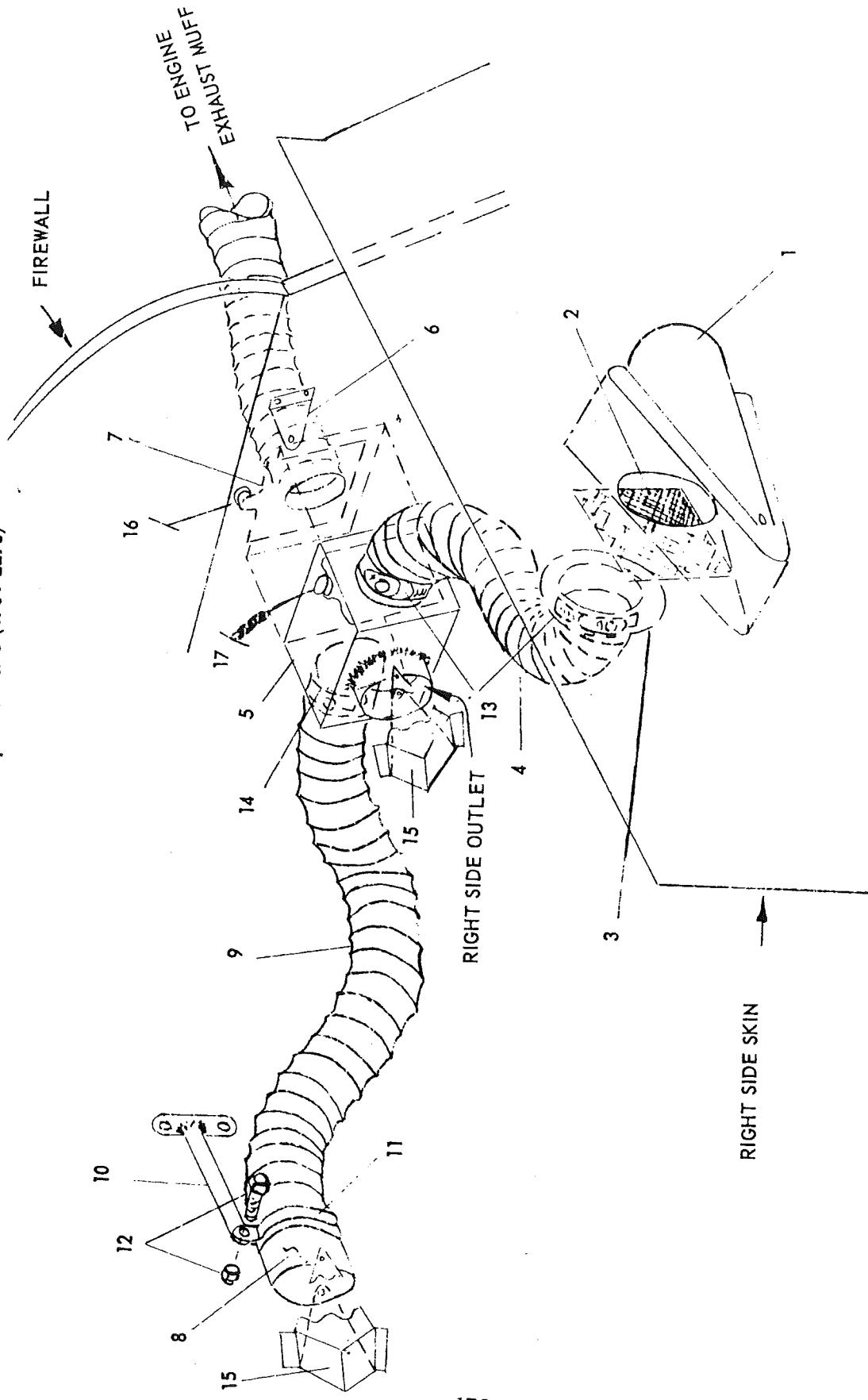




Fig.	Index	Parts No.	Description	Units Assy.
		8079-9	CABIN VENTILATION SYSTEM, M-20B & C	
63	1	3215	SCOOP	1
	2	3218	SCREEN	1
	3	3217	PIPE, Intake	1
	4	8079-3	HOSE, Intake	1
	5	8083-2	BOX ASSEMBLY, Junction	1
	6	8107	BRACKET, Control	1
		AN 526-632-8	SCREW, Machine	2
		AN 960-6	WASHER	2
		AN 365-632	NUT	2
	7	8042-2	VALVE ASSEMBLY, Cabin Hot Air	1
	8	8255	TUBE, Outlet	1
	9	8079-1	HOSE, Flexible (6064-13)	1
	10	8098	BRACKET	1
		AN 526-632-8	SCREW, Machine	2
		AN 960-6	WASHER	2
		AN 365-632	NUT	2
	11	AN735-32	CLAMP	1
	12	AN 3-5A	BOLT	1
		AN 960-10	WASHER	1
		AN 365-1032	NUT	1
	13	QS100M-36	CLAMPS, Hose	2
	14	QS100M-24	CLAMPS, Hose	1
	15	8254	DEFLECTOR	2
	16	H & E 1000-7	CONTROL, Cabin Heat	1
		64-032-144	CONTROL, Cabin Heat	1
	17	H & E 1000-8	CONTROL, Cabin Vent	1
		64-032-145	CONTROL, Cabin Vent	1
	18	8079-7	HOSE, Defroster (Not Illustrated)	1
		8079-5	HOSE, Defroster (Not Illustrated)	1
		QS100M-24	CLAMP (Not Illustrated)	4

FIG. 64 - CABIN VENTILATION SYSTEM, M-20C, D & E (2297 & On; 101D & On; 101E & On)

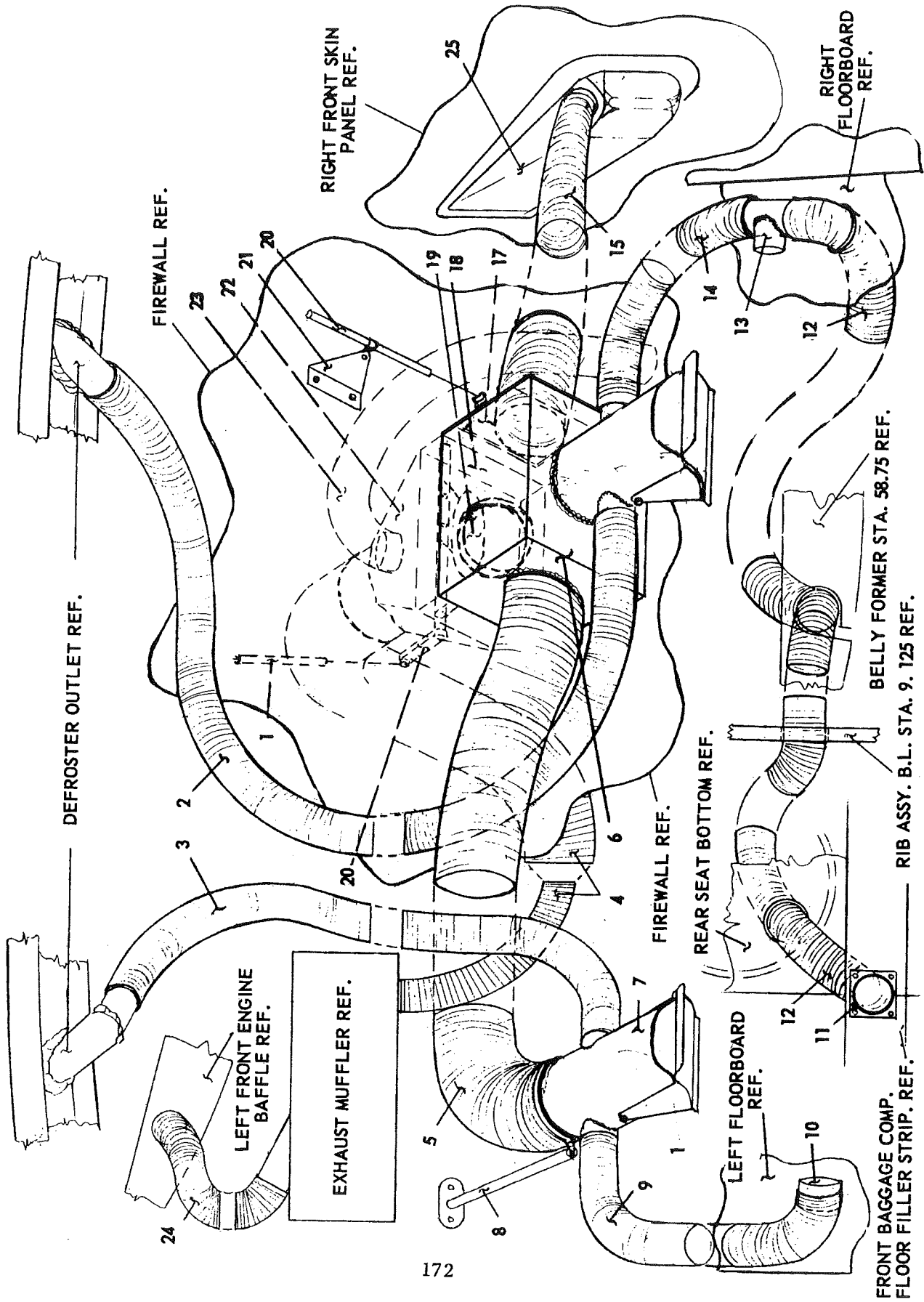




Fig.	Index	Parts No.	Description	Units Assy.
CABIN VENTILATION SYSTEM, M-20C, D & E (1963 & 1964)				
64	1	653-032-11	CONTROL, Cabin Heater	1
		H&E1000-7	CONTROL, Cabin Heater	1
	2	640005-7	FLEX HOSE	1
		912007-505	DUCT	1
	3	912007-505	FLEX HOSE	1
		640001-1	FLEX HOSE	1
	4	64000-9	FLEX HOSE	1
	5	640005-1	FLEX HOSE	1
		912007-509	DUCT	1
	6	640014-501	JUNCTION BOX	1
		640014-505	JUNCTION BOX	1
		640014-503	JUNCTION BOX	1
	7	640034-501	OUTLET	1
		640034-503	OUTLET	1
		640034	OUTLET	1
	8	640015	BRACKET	1
	9	912007-1	FLEX HOSE	1
		640041-5	FLEX HOSE	1
	10	640041-9	TUBE	2
	11	640048-1	TUBE	1
		310101-1	FILLER STRIP, Bag. Comp. Floor	1
	12	912007-501	DUCT	1
	13	640048-501	TUBE, Outlet	1
	14	912007-501	DUCT	1
		640041-7	FLEX HOSE	1
	15	912007-503	DUCT	1.
		640041-3	FLEX HOSE	1
	17	640010	SLIDE PLATE	1
	18	640047-1	PLATE VALVE & SHAFT ASSY.	1
		640009	SPACER	2
	19	640047-11	PLATE	1
		640047-13	SEAL	2
		640007	INLET PLATE	1
		640010	INLET PLATE	1
	20	653-032-12	CONTROL, Cabin Vent	1
		H&E1000-8	CONTROL, Cabin Vent.	1
	21	640016	CONTROL BRACKET	1
	22	640047-501	COVER ASSY.	1
	23	640001-9	DUCT, Hot Air Dump	1
	24	640001-11	DUCT	1
	25	640040-1	SCOOP ASSY.	1
		640040-501	SCOOP ASSY.	1

FIG. 65 - CABIN COOLING SYSTEM

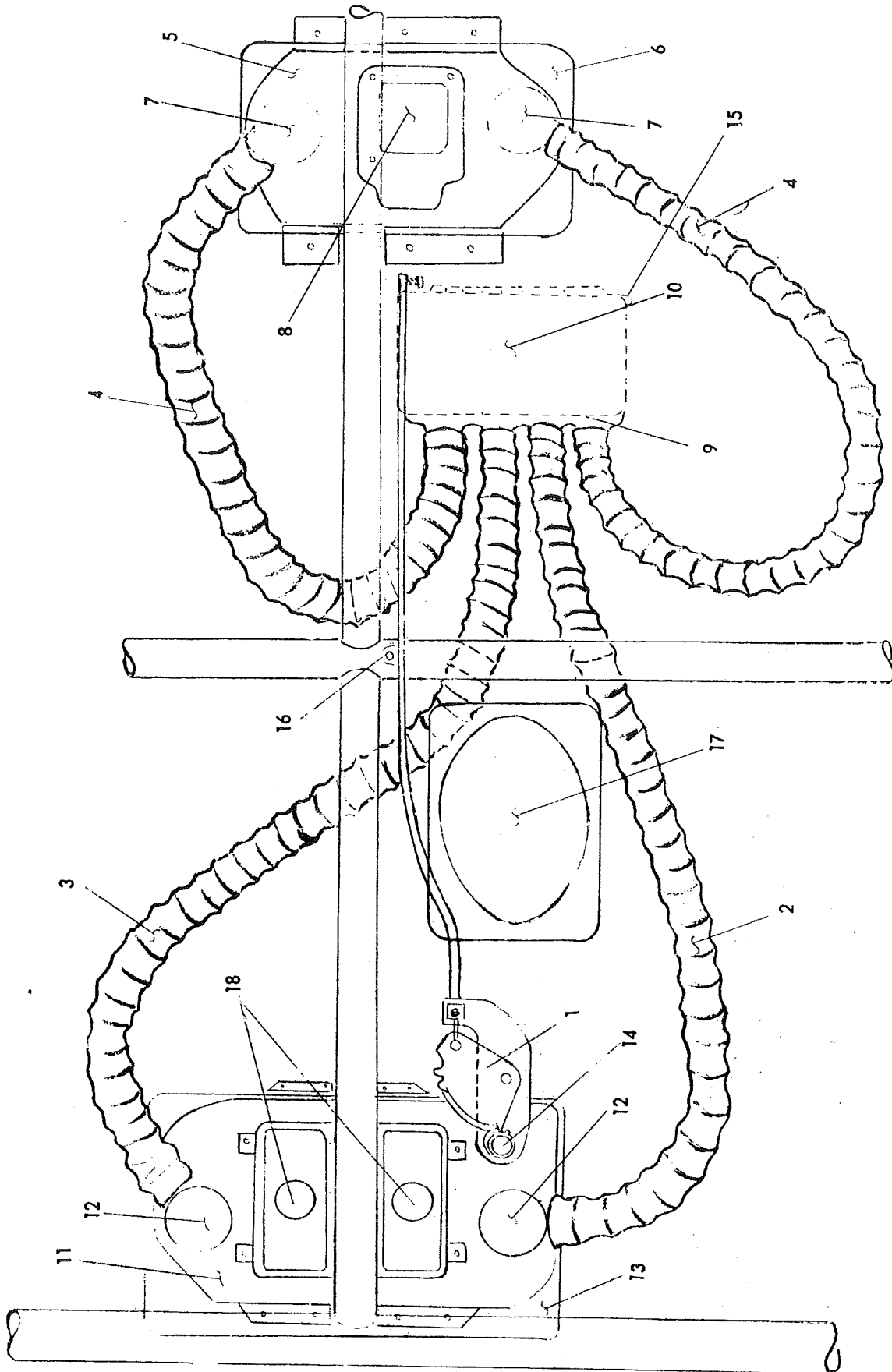




Fig.	Index	Parts No.	Description	Units Assy.
		8189	CABIN COOLING SYSTEM	1
65	1	361-032-502	ARENS CONTROL	1
	2	8189-13	HOSE, Flex	1
	3	8189-7	HOSE, Flex	1
	4	8189-9	HOSE, Flex	2
	5	8203-3	BRACKET	1
	6	8204-3	COVER	1
	7	8200	VALVE	2
	8	8113	LIGHT, Dome	
	9	8190	BOX	1
	10	8195	SCOOP ASSEMBLY	1
	11	8203-1	BRACKET	1
	12	8200	VALVE	2
	13	8520	COVER	1
	14	2228	KNOB, Pointer 2"	1
	15	8189-11	TUBE, Drain	1
	16	A6187-42-1	NUT	1
		742-3	CLAMP	1
		4 X 3/8	SCREW	1
	17	8136	SPEAKER ASSEMBLY	1
		8546-1	SPEAKER ASSEMBLY	1
	18	A1425-R	LIGHT, Navigation	2

FIG. 66 - VACUUM SYSTEM INSTALLATION

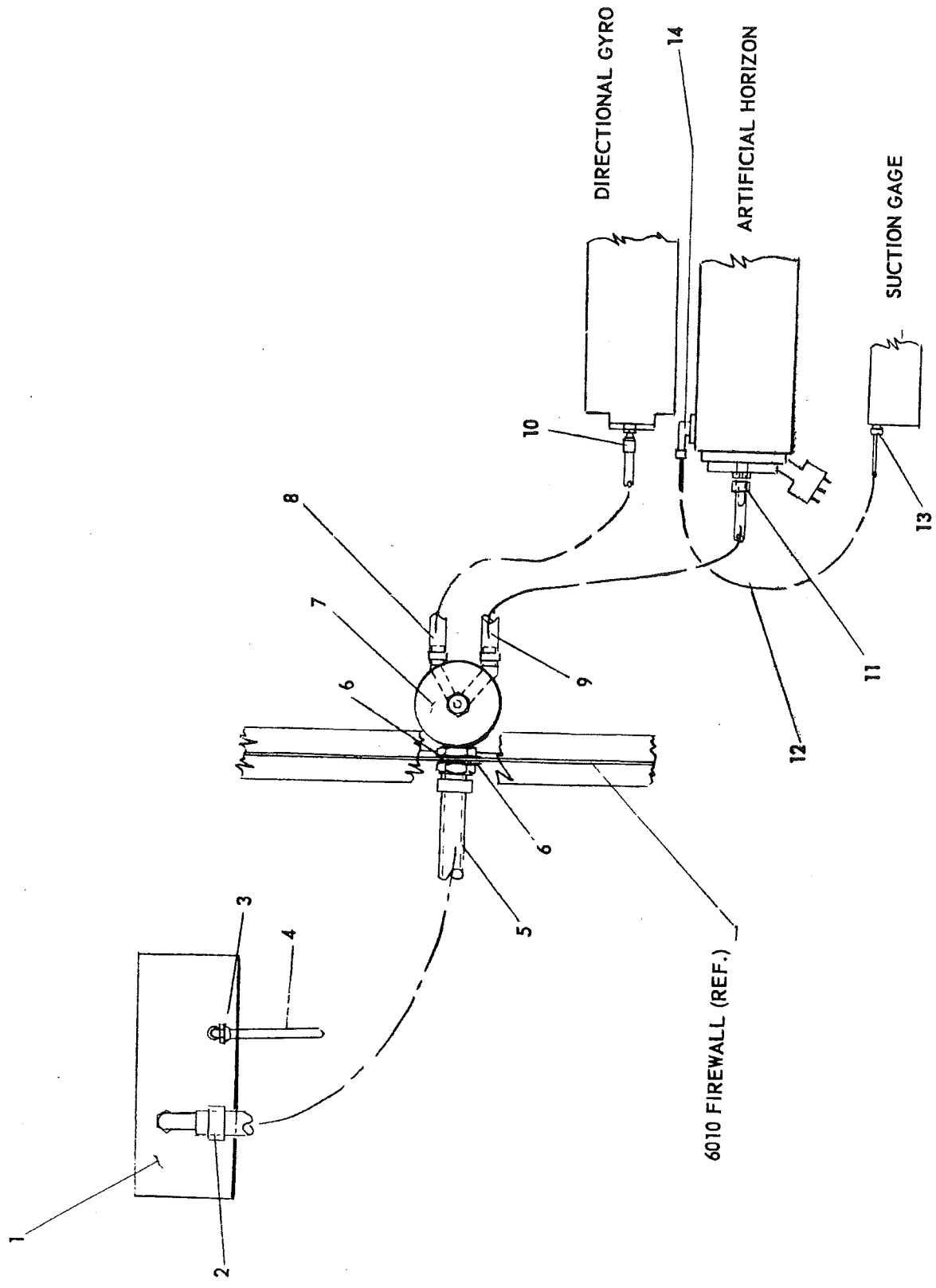




Fig.	Index	Parts No.	Description	Units Assy.
		8614	VACUUM SYSTEM INSTALLATION	
66	1	113A5	PUMP, Vacuum	1
	2	QS100-M10	CLAMP	2
	3	AN 822-8D	CLAMP	1
		AN 818-8D	CLAMP	1
		AN 819-8D	CLAMP	1
	4	6457	CLAMP	1
	5	8614-7	HOSE	1
	6	AN 960-1416	WASHER	2
	7	133A4	VALVE, Regulating	1
	8	8614-11	HOSE	1
	9	8614-9	HOSE	1
	10	AN 840-60	FITTING	1
	11	AN 844-60	FITTING	1
		QS100-M8	CLAMP	4
	12	8614-12	TUBE	1
	13	68 X 2	WEATHERHEAD	1
	14	912-10	BUSHING	1
		69 X 2	WEATHERHEAD	1

FIG. 67 - COWL FLAP CONTROL SYSTEM

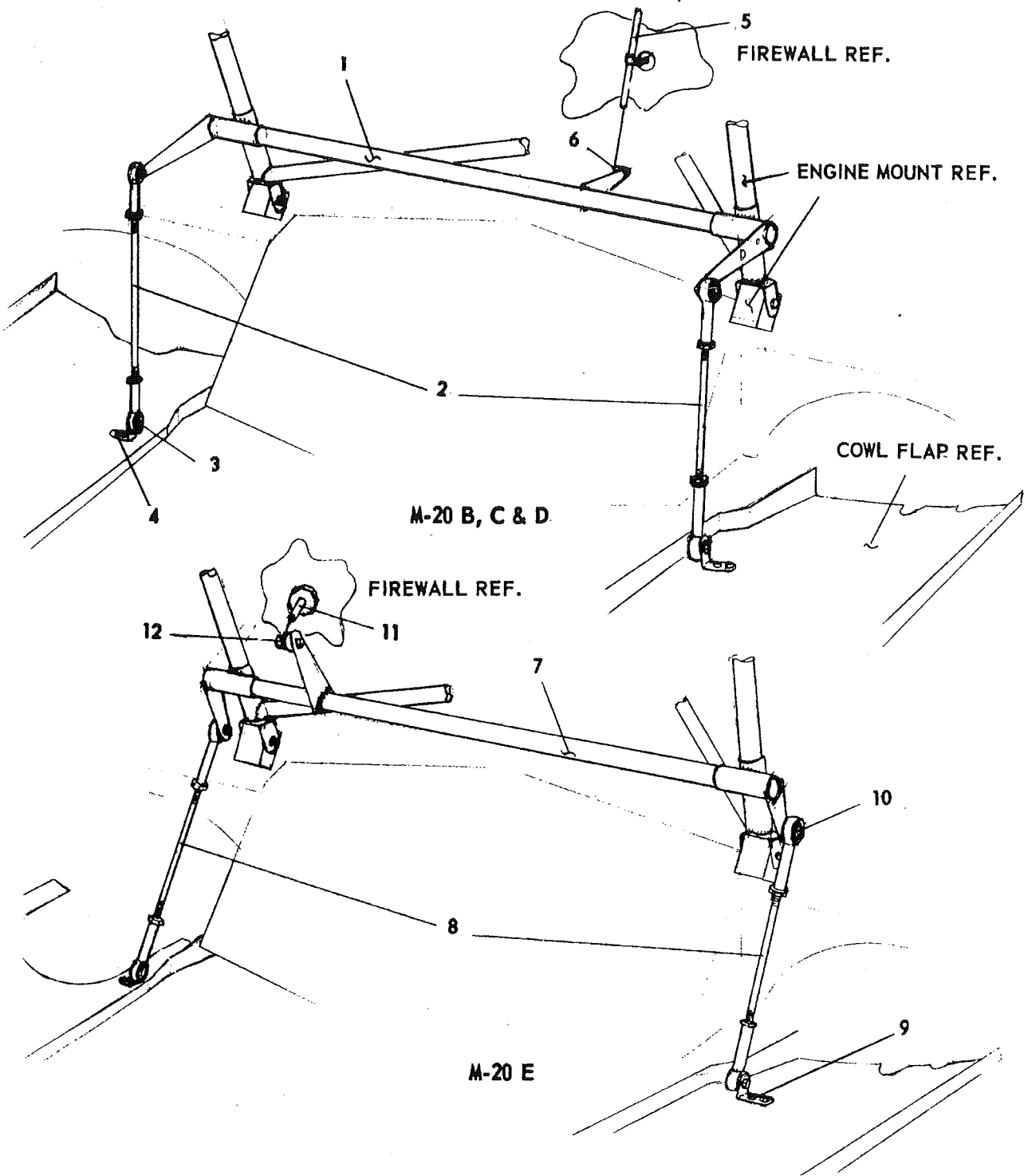




Fig.	Index	Parts No.	Description	Units Assy.
			COWL CONTROL SYSTEM, M-20B, C & D	
			FLAP CONTROL SYSTEM, M-20B, C & D	
67	1	650037-5	IDLER ARM ASSY.	1
		650037-503	IDLER ARM ASSY.	1
	2	650039-1	ROD ASSY., Left Side	1
		650039-2	ROD ASSY., Right Side	1
		650039-5	ROD ASSY., Left Side	1
		650039-6	ROD ASSY., Right Side	1
	3	AN3-7A	BOLT	4
		AN960-10	WASHER	8
		AN365-1032	NUT	4
	4	650024	BRACKET, Cowl Flap	2
	5	F5016-2	CONTROL, Cowl Flap	1
		H&E1001-9	CONTROL, Cowl Flap	1
		21-006-91	CONTROL, Cowl Flap	1
	6	914038-3	BOLT	1
		914037-3	BUSHING	1
		AN960-416	WASHER	1
		AN960-10	WASHER	2
		AN320-3	NUT	1
		AN380-2-2	COTTER PIN	1
			COWL FLAP CONTROL SYSTEM, M-20E	
	7	650037-501	IDLER ARM ASSY.	1
	8	650039-5	ROD ASSY.	2
	9	6159	BRACKET	2
	10	AN3-7A	BOLT	4
		AN960-10L	WASHER	8
		AN365-1032	NUT	4
	11	21-006-94	CONTROL, Cowl Flap	1
	12	914038-3	BOLT	1
		914037-3	BUSHING	1
		AN960-416	WASHER	1
		AN960-10	WASHER	2
		AN320-3	NUT	1
		AN380-2-2	COTTER PIN	1

FIG. 68 - RETRACTABLE STEP SYSTEM

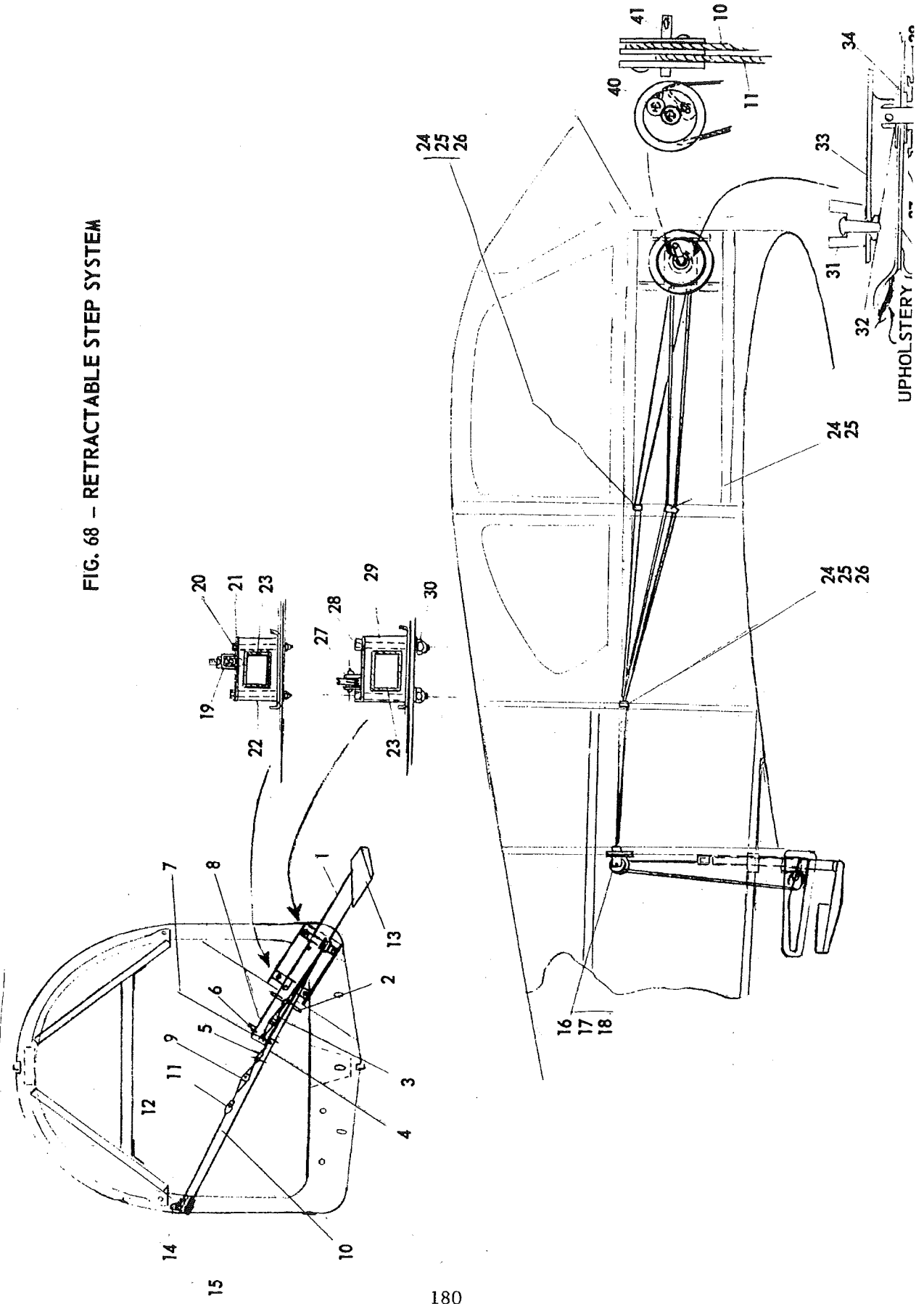




Fig.	Index	Parts No.	Description	Units Assy.
			RETRACTABLE STEP SYSTEM	
68	1	8269	STEP	1
	2	8280	ABSORBER, Shock	1
	3	AN 130-22-S	TURN BUCKLE	1
	4	8281	CLIP, Rectangular Tube	1
	5	AN 393-13	PIN, Clevis	3
		AN 960-10	WASHER	4
		AN 380-2-2	PIN, Cotter	3
	6	8281-1	CLIP, Rectangular Tube	1
		AN 3-3A	BOLT	4
		AN 363-1032	NUT	4
	7	AN 3-5A	BOLT	1
		AN 960-10	WASHER	2
		AN 365-1032	NUT	1
	8	AN 42-7A	BOLT, Eye	1
		AN 960-10	WASHER	3
		AN 365-1032	NUT	1
	9	AN 150-22-L	TURN BUCKLE	1
	10	8265-11	CABLE, Galvanized Steel	1
	11	AN 100-3	EYELET, 1/16 Micropress Sleeves	2
	12	8265-9	CABLE, Galvanized Steel	1
	13	8364	TREAD, Cover	1
	14	AN 960-10	WASHER (Between 8370 and Bulkhead)	1
	15	8370	GUIDE, Step Cable	1
	16	8365	CLIP, Cable Casing Attachment	1
	17	AN 3-5A	BOLT	1
		AN 960-10	WASHER	2
		AN 365-1032	NUT	1
	18	AN 735-3	CLAMP	2
	19	8374	BRACKET UP LOCK	1
	20	AN 4-25A	BOLT	2
	21	8371	STRAP, Bearing, Block .063" Thick (As needed for proper fit)	2
	22	8270	BEARING, Block	2
	23	8269	STEP	1
	24	AN 742-3	CLAMP	2
	25	4 X 3/8	P.K. SHEET METAL SCREW	1
	26	A 6187-4Z-1	NUT	1
	27	8372	BLOCK, Cable Lower End	1
	28	AN 4-25A	BOLT	2
	29	8270	BEARING, Block	2
	30	AN 960-416L	WASHER	2
	31	3-4868	B.K. KNOB BUSHING AND SCREW	1

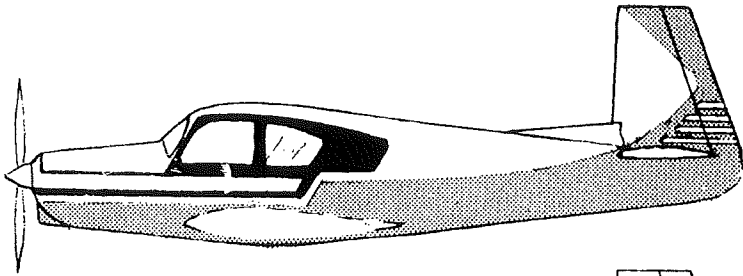
Fig.	Index	Parts No.	Description	Units Assy.
68	32	AN 936-A10	WASHER	1
		AN 316-4R	NUT	1
	33	8373	HANDLE, Step Retracting	1
	34	8357	WASHER, Step Retracting Handle	1
	35	8297	INNER PANEL ASSEMBLY	1
	36	8292	OUTER PANEL ASSEMBLY	1
	37	AN 960-516	WASHER	1
	38	8363	PULLY, Wheel Assembly	1
	39	AN 960-516L	WASHER	1
	40	AN 326-10R-4	SCREW	2
	41	8363	PULLY, Wheel Assembly	1

FIG. 69 - PAINT SCHEME

YEAR

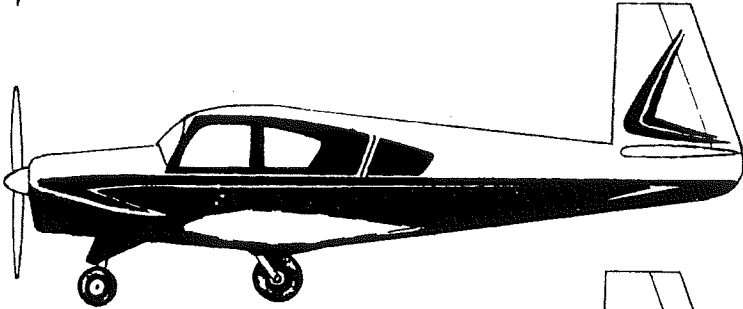
SALES NAME
& MODEL

61, 62
63, 64



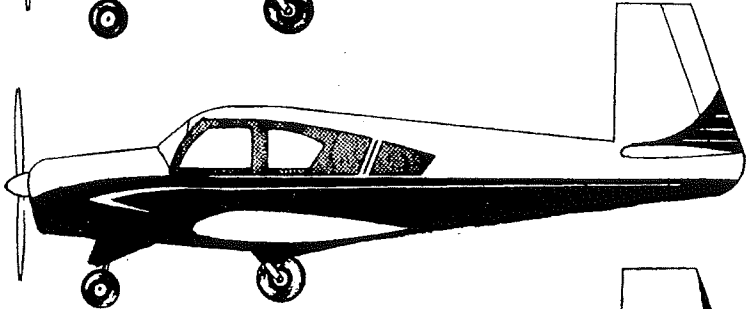
MARK 21
(M20B)
(M20C)

63



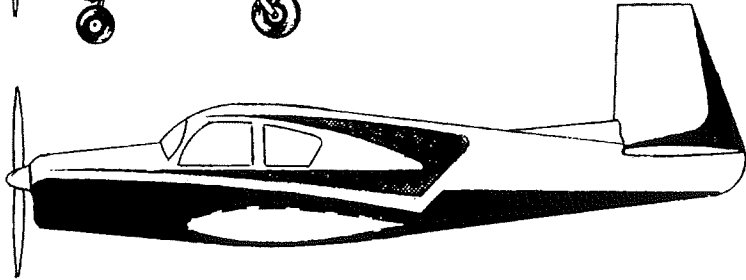
MASTER
(M20D)

64



MASTER
(M20D)

64



SUPER 21
(M20E)



Fig.	Model	Parts No.	Description	Location
PAINT SCHEME				
1961				
89	M-20B	82-26190	MEDIUM GRAY, Acrylic Enamel	Interior Trim
		82-25656	PINK, " "	" "
		82-25657	LIGHT BLUE, " "	" "
		82-25655	FLAMINGO, " "	" "
		82-25654	TURQUOISE, " "	" "
		82-25410	BUFF, " "	Exterior Bottom
		82-25413	TURQUOISE, " "	" "
		82-25416	RED, " "	" "
		82-25411	CHARCOAL, " Enamel	" Trim
		82-25412	BLUE METALIC, " "	" "
		82-25415	ALAMO BEIGE, " "	" Base
		82-25414	ERMINE WHITE " Enamel	" "
1962				
	M-20C	82A-28378	TITIAN RED, " Enamel	Exterior Trim
		82A-27633	BLUE METALIC, " "	" "
		82A-28161	DARK GOLD, " "	" "
		82A-27630	BLUE METALIC, " "	Exterior Bottom
		82A-28303	ROMAN RED, " "	" "
		82-25414	ERMINE WHITE, " "	Exterior Base
'62 & '63				
	M-20C	27H-25414	ERMINE WHITE, " Lacquer	Interior Trim
		27H-20800	SPICE BROWN, " "	" "
		82A-26183	LIGHT GOLD, " Enamel	Exterior Bottom
1963				
	M-20D	82A-29801	FROSTED RED, " "	Exterior Bottom
		82-25414	ERMINE WHILE, " "	Exterior Base
	M-20C	82A-29626	GUNMETAL, " "	Exterior Trim
		82A-29629	FROSTED TURQUOISE, Acrylic Enamel	Exterior Bottom
		82A-29744	FROSTED GREEN, " "	" "
		82A-29745	FROSTED COPPER, " "	" "
		82B-29801	FROSTED RED, " "	" "
		82-25414	ERMINE WHITE, " "	Exterior Base
1964				
	M-20C			
	D & E	82A-31499	METALLIC ORANGE " "	Exterior Bottom
		82A-32014	SILVER BLUE, Met. " "	" "
		82A-32015	LIGHT EMERALD, Met. " "	" "
		82A-32016	BERLY BLUE, Met., " "	" "

Fig.	Model	Parts No.	Description			Location
		27H-23455	SAND BEIGE	"	Lacquer	Interior Trim
		27H-20800	SPICE BROWN	"	"	" "
		82-25414	ERMINE WHITE,	"	Enamel	Exterior, Bas
	M-20					
	C & D	82A-31885	CANYON GOLD, MET.	"	"	Exterior Trim
	M-20E	82A-32264	DARK CANYON GOLD, Met."	"	"	" "
		MIL-D-8585A	ZINC CHROMATE PRIMER			
		E-6889	ZINC CHROMATE PRIMER (Spray Can)			
		EX-1858-A	LIGHT GRAY PRIMER			
		EX-2016G	ZINC CHROMATE PRIMER (Vinyl Type)			
		EX1707	ACID PROOF BLACK PAINT, Lacquer			
			BLACK LACQUER			

FIG. 70 - EXTERIOR DECALS

- ① **DO NOT PUSH**
- ② **HOIST POINT**
- ③ **TIRE PRESSURE 30LBS.**
- ④ **NO STEP**

⑤ **FUEL**
100/130 OCT. MIN.
26 U.S. GAL.

⑥ 91 OCT. MIN.
24 GAL.

⑨ **FUEL**
91/96 OCT. MIN.
26 U.S. GAL.

⑦ **WARNING**
BOLT AND NUT . . .

⑩

CARE SHOULD BE TAKEN NOT TO . . .

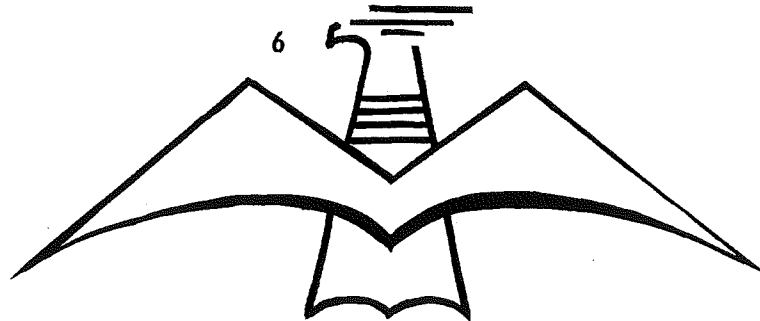
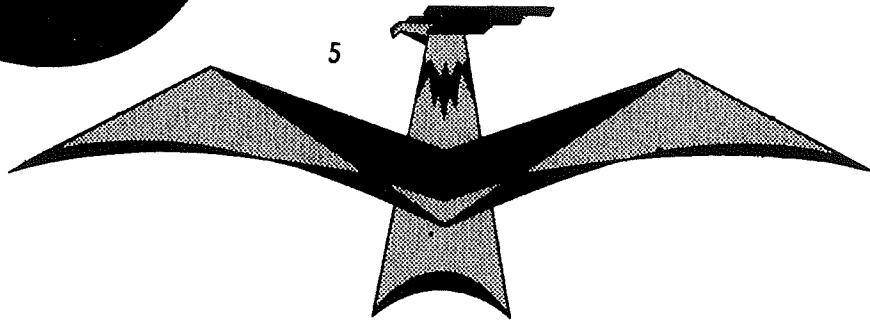
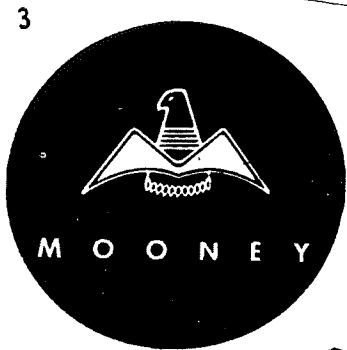
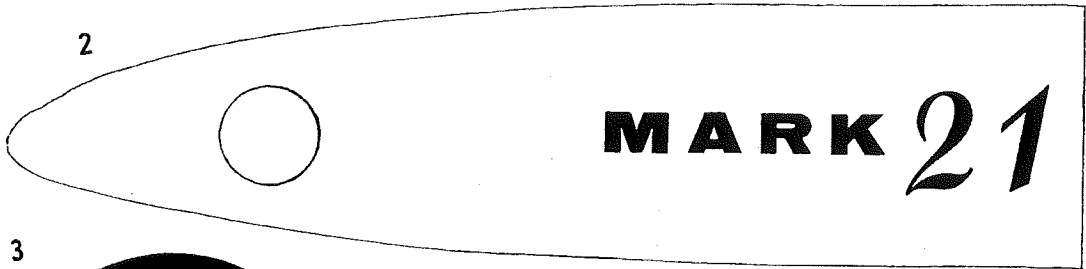
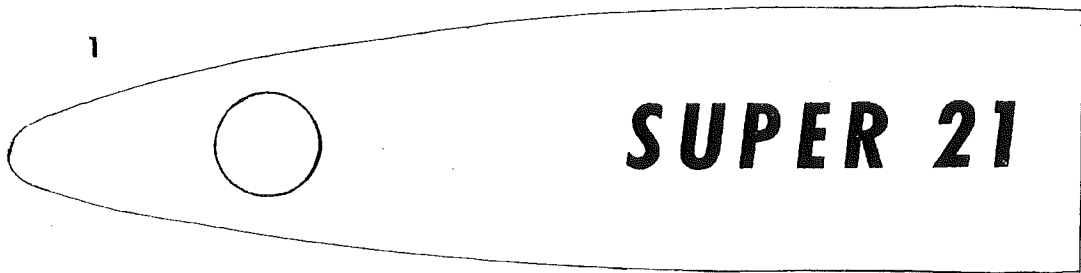
⑪ **MAGNETIC**

⑧ **IMPORTANT INSTRUCTIONS**
ALWAYS ADD WATER . . .



Fig.	Index	Parts No.	Description	Units Assy.
70			EXTERIOR DECALS	
	1	150010-3	RUDDER DECAL	2
		150010-31	RUDDER DECAL	2
	2	150010-9	WING DECAL	2
	3	150010-5	LANDING GEAR	3
	4	150010-7	WING DECAL	6
	5	150010-43	FUEL CAP DECAL	1
	6	150010-11	FUEL TANK DECAL	2
	7	150010-29	WHEELWELL STIFFENER DECAL	1
	8	150010-13	BATTERY BOX DECAL	1
	9	150010-45	FUEL CAP DECAL	1
	10	150010-51	BATTERY LID DECAL	1
	11	150001-25	STARTER VIBRATOR DECAL	1

FIG. 71 - EXTERIOR PLACARDS



MOONEY



Fig.	Index	Parts No.	Description	Units Assy.
			EXTERIOR PLACARDS	
71	1	120006-1	PLACARD, WING TIP, Left	1
		120006-2	PLACARD, Wing Tip, Right	1
	2.	120004-1	PLACARD, Wing Tip, Left	1
		120004-2	PLACARD, Wing Tip, Right	1
	3	8537	PLACARD, Fuselage	2
	4	120006-501	PLACARD, Nose	2
	5	8704-3	PLACARD, Tail Fin, Left	1
		8704-4	PLACARD, Tail Fin, Right	1
	6	8704-5	PLACARD, Tail Fin, Left	1
		8704-6	PLACARD, Tail Fin	1

FIG. 72 - EXTERIOR DECORATING TAPE, M-20 C & E

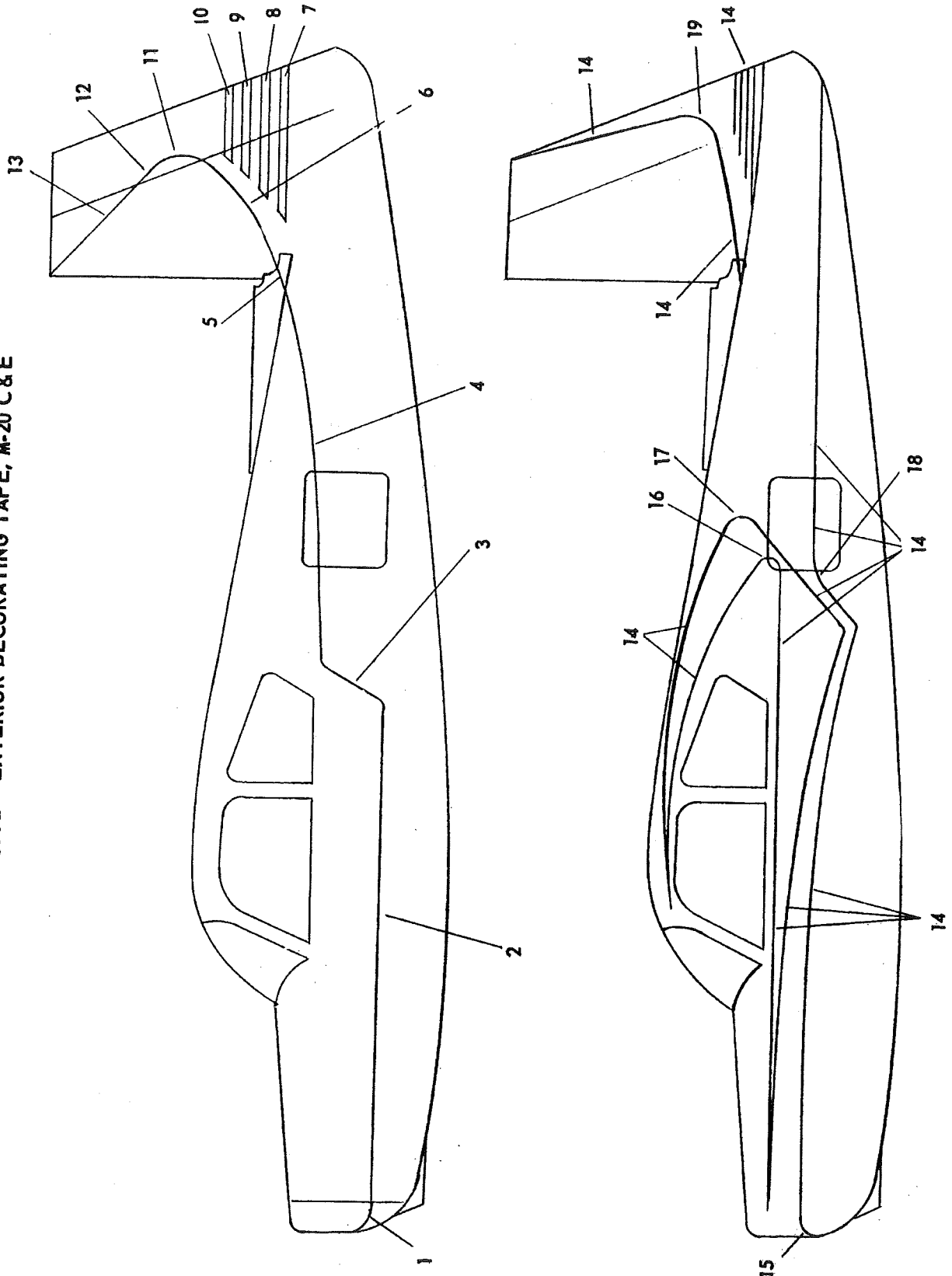




Fig.	Index	Parts No.	Description	Units Assy.
EXTERIOR DECORATING TAPE, M-20C & E				
72	1	150008-3	TAPE, 630 Chrome	1
		150008-4	TAPE, 630 Chrome	1
		150008-5	TAPE, 633 Gold	1
		150008-6	TAPE, 633 Gold	1
	2	150008-7	TAPE, 630 Chrome	1
		150008-8	TAPE, 633 Gold	1
	3	150008-9	TAPE, 630 Chrome	1
		150008-10	TAPE, 630 Chrome	1
		150008-11	TAPE, 633 Gold	1
		150008-12	TAPE, 633 Gold	1
	4	150008-13	TAPE, 630 Chrome	1
		150008-14	TAPE, 633 Gold	1
	5	150008-15	TAPE, 630 Chrome	1
		150008-16	TAPE, 630 Chrome	1
		150008-17	TAPE, 633 Gold	1
		150008-18	TAPE, 633 Gold	1
	6	150008-19	TAPE, 630 Chrome	1
		150008-20	TAPE, 633 Gold	1
	7	150008-21	TAPE, 630 Chrome	1
		150008-22	TAPE, 630 Chrome	1
		150008-23	TAPE, 633 Gold	1
		150008-24	TAPE, 633 Gold	1
	8	150008-25	TAPE, 630 Chrome	1
		150008-26	TAPE, 630 Chrome	1
		150008-27	TAPE, 633 Gold	1
		150008-28	TAPE, 633 Gold	1
	9	150008-29	TAPE, 630 Chrome	1
		150008-20	TAPE, 630 Chrome	1
		150008-31	TAPE, 633 Gold	1
		150008-32	TAPE, 633 Gold	1
	10	150008-33	TAPE, 630 Chrome	1
		150008-34	TAPE, 630 Chrome	1
		150008-35	TAPE, 633 Gold	1
		150008-36	TAPE, 633 Gold	1
	11	150008-37	TAPE, 630 Chrome	1
		150008-38	TAPE, 630 Chrome	1
		150008-39	TAPE, 633 Gold	1
		150008-40	TAPE, 633 Gold	1
	12	150008-41	TAPE, 630 Chrome	1
		150008-42	TAPE, 633 Gold	1

Fig.	Index	Parts No.	Description	Units Assy.
13		150008-43	TAPE, 630 Chrome	1
		150008-44	TAPE, 633 Gold *	1
14			TAPE, 633 Gold, 1/4" Roll	1
15		120007-9	CURVED TAPE, Gold, Left	1
		120007-10	CURVED TAPE, Gold, Right	1
16		120007-3	CURVED TAPE, Gold, Left	1
		120007-4	CURVED TAPE, Gold, Right	1
17		120007-7	CURVED TAPE, Gold, Left	1
		120007-8	CURVED TAPE, Gold, Right	1
18		120007-5	CURVED TAPE, Gold, Left	1
		120007-6	CURVED TAPE, Gold, Right	1
19		120007-11	CURVED TAPE, Gold, Left	1
		120007-12	CURVED TAPE, Gold, Right	1

FIG. 73 - WING, FIN & STABILIZER STATIONS

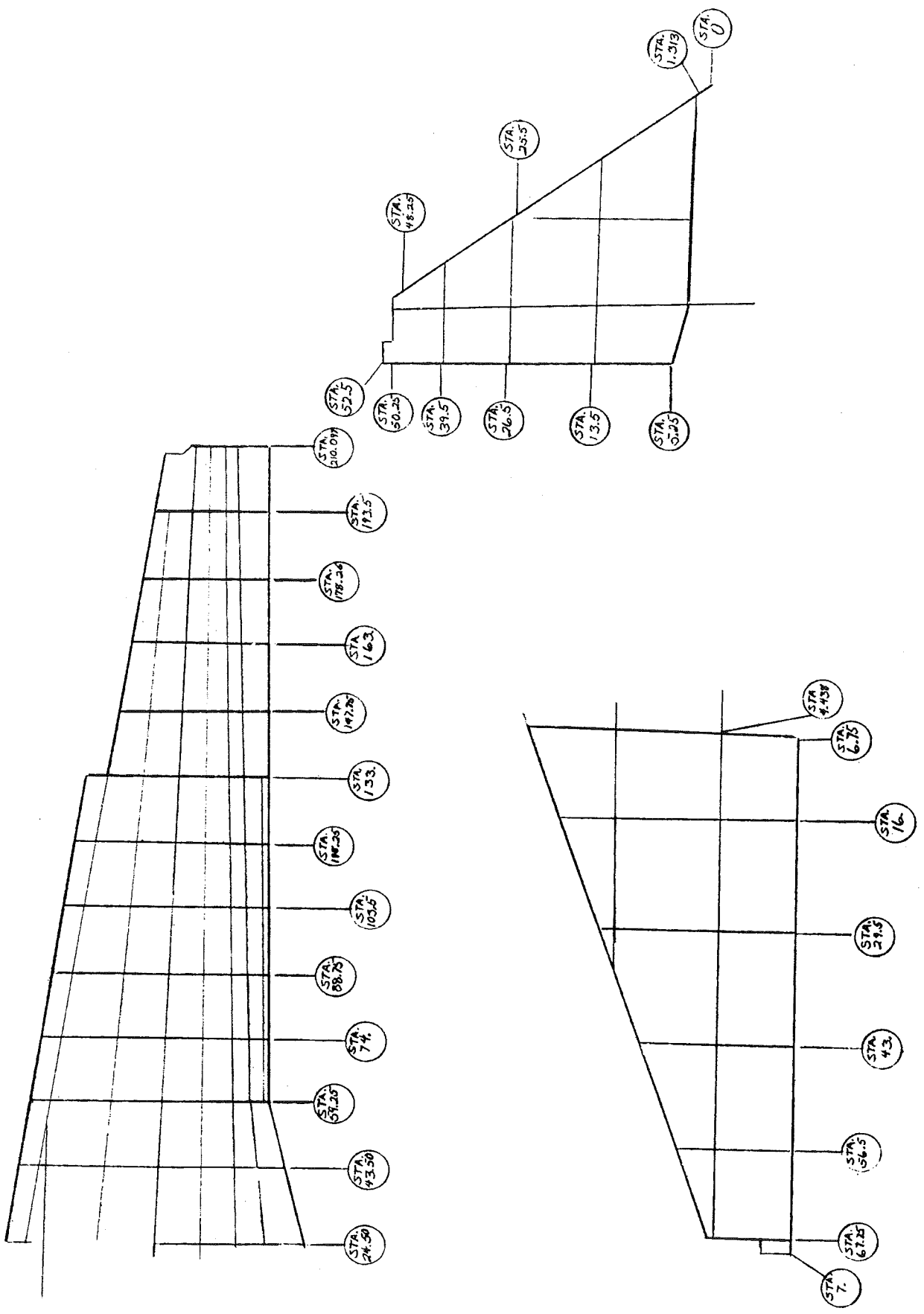
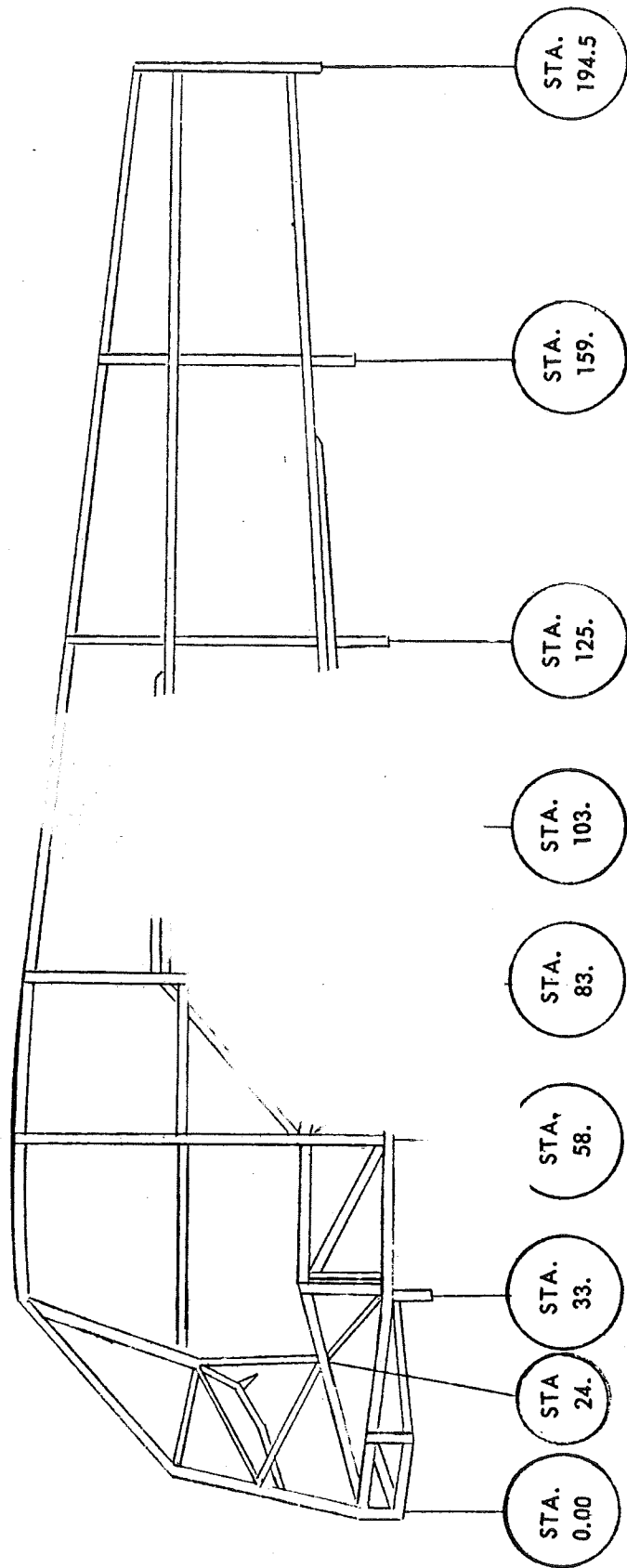


FIG. 74 - FUSELAGE & TAIL CONE STATIONS





INDEX

	PAGE
Mooney Manufactured Parts	1 - 34
Vendor Parts	35 - 43

SERIAL NUMBER INFORMATION

1701B--1939B 1961, M-20B
1940C--2296C 1962, M-20C
2297C--2622C 1963, M-20C
2623C--2806C 1964, M-20C
101D--200D 1963, M-20D
201D--251D 1964, M-20D
101E--469E 1964, M-20E

EFFECTIVITY LIST

M 20 B, C, D & E



OLD NO.	NEW NO.	FITS MODEL NUMBER
508	916009	1701 and On; 101D and On; 101E and On
722	913006	1701 and On; 101D and On; 101E and On
822	913007	1701 and On; 101D and On; 101E and On
976	916000	1701 and On; 101D and On; 101E and On
2160-1	240001-1	1701-1939 — —
2160-2	240001-2	1701-1939 — —
2160-3	240001-3	1940 and On; 101D and On; 101E and On
2160-4	240001-4	1940 and On; 101D and On; 101E and On
2164	240005	1701 and On; 101D and On; 101E and On
2171-1	210005-1	1701 and On; 101D and On; 101E and On
2171-2	210005-2	1701 and On; 101D and On; 101E and On
2172	210006	1701 and On; 101D and On; 101E and On
2173	210007	1701 and On; 101D and On; 101E and On
2174	210008	1701 and On; 101D and On; 101E and On
2175	230011	1701 and On; 101D and On; 101E and On
2177-7	230012-7	1701 and On; 101D and On; 101E and On
2177-8	230012-8	1701 and On; 101D and On; 101E and On
2178-7	230013-7	1701 and On; 101D and On; 101E and On
2178-8	230013-8	1701 and On; 101D and On; 101E and On
2179-1	210047-1	1701 and On; 101D and On; 101E and On
2179-2	210047-2	1701 and On; 101D and On; 101E and On
2180	220000	1701-2075 — —
2180-7	220000-7	1701-2075 — —
2180-8	220000-8	1701-2075 — —
2180-9	220000-9	1701-2075 — —
2180-10	220000-10	1701-2075 — —
2180-11	220000-11	1701-2075 — —
2180-12	220000-12	1701-2075 — —
2180-13	220000-13	1701-2075 — —
2180-14	220000-14	1701-2075 — —
2180-15	220000-15	1701 and On; 101D and On; 101E and On
2180-16	220000-16	1701 and On; 101D and On; 101E and On
2180-17	220000-17	1701 and On; 101D and On; 101E and On
2180-18	220000-18	1701 and On; 101D and On; 101E and On
2180-19	220000-19	1701 and On; 101D and On; 101E and On
2180-20	220000-20	1701 and On; 101D and On; 101E and On
2180-21	220000-21	1701 and On; 101D and On; 101E and On
2180-22	220000-22	1701 and On; 101D and On; 101E and On
2180-27	220000-27	1701 and On; 101D and On; 101E and On
2180-28	220000-28	1701 and On; 101D and On; 101E and On
2180-29	220000-29	1701 and On; 101D and On; 101E and On
2180-30	220000-30	1701 and On; 101D and On; 101E and On
2180-31	220000-31	1701 and On; 101D and On; 101E and On
2180-32	220000-32	1701 and On; 101D and On; 101E and On
2180-34	220000-34	1701 and On; 101D and On; 101E and On
2180-51	220000-51	1701 and On; 101D and On; 101E and On
2180-52	220000-52	1701 and On; 101D and On; 101E and On
2180-55	220000-55	1701 and On; 101D and On; 101E and On
2180-56	220000-56	1701 and On; 101D and On; 101E and On
2180-57	220000-57	1701 and On; 101D and On; 101E and On
2180-58	220000-58	1701 and On; 101D and On; 101E and On
2180-100	220000-100	1701 and On; 101D and On; 101E and On
2180-102	220000-102	1701 and On; 101D and On; 101E and On
2180-110	220000-110	1701 and On; 101D and On; 101E and On

OLD NO.	NEW NO.	FITS MODEL NUMBER
2180-111	220000-111	1701 and On; 101D and On; 101E and On
2180-112	220000-112	1701 and On; 101D and On; 101E and On
2180-119	220000-119	1701 and On; 101D and On; 101E and On
2180-120	220000-120	1701 and On; 101D and On; 101E and On
2180-121	220000-121	1701 and On; 101D and On; 101E and On
2180-122	220000-122	1701 and On; 101D and On; 101E and On
2180-123	220000-123	1701-1939 - -
2180-124	220000-124	1701 and On; 101D and On; 101E and On
2180-125	220000-125	1701 and On; 101D and On; 101E and On
2180-126	220000-126	1701 and On; 101D and On; 101E and On
2180-127	220000-127	1701 and On; 101D and On; 101E and On
2180-128	220000-128	1701 and On; 101D and On; 101E and On
2180-129	220000-129	1701 and On; 101D and On; 101E and On
2180-130	220000-130	1701 and On; 101D and On; 101E and On
2180-131	220000-131	1701 and On; 101D and On; 101E and On
2180-132	220000-132	1701 and On; 101D and On; 101E and On
2180-133	220000-133	1701 and On; 101D and On; 101E and On
2180-134	220000-134	1701 and On; 101D and On; 101E and On
2180-135	220000-135	1701 and On; 101D and On; 101E and On
2180-136	220000-136	1701 and On; 101D and On; 101E and On
2180-137	220000-137	1701 and On; 101D and On; 101E and On
2180-141	220000-141	2076 and On; 101D and On; 101E and On
2180-142	220000-142	2076 and On; 101D and On; 101E and On
2180-143	220000-143	2076 and On; 101D and On; 101E and On
2180-144	220000-144	2076 and On; 101D and On; 101E and On
2180-145	220000-145	2076 and On; 101D and On; 101E and On
2180-146	220000-146	2076 and On; 101D and On; 101E and On
2180-147	220000-147	2076 and On; 101D and On; 101E and On
2180-148	220000-148	2076 and On; 101D and On; 101E and On
2180-501	220000-501	2076 and On; 101D and On; 101E and On
2181	210107	1701 and On; 101D and On; 101E and On
2182	210000	1701 and On; 101D and On; 101E and On
2181-1	210107-1	1701 and On; 101D and On; 101E and On
2183-1	210070-1	1701 and On; 101D and On; 101E and On
2183-2	210070-2	1701 and On; 101D and On; 101E and On
2184-7	210043-7	1701 and On; 101D and On; 101E and On
2184-8	210043-8	1701 and On; 101D and On; 101E and On
2184-9	210043-9	1701 and On; 101D and On; 101E and On
2184-10	210043-10	1701 and On; 101D and On; 101E and On
2185-7	210045-7	1701 and On; 101D and On; 101E and On
2185-8	210045-8	1701 and On; 101D and On; 101E and On
2185-9	210045-9	1701 and On; 101D and On; 101E and On
2185-10	210045-10	1701 and On; 101D and On; 101E and On
2186-7	210048-7	1701 and On; 101D and On; 101E and On
2186-8	210048-8	1701 and On; 101D and On; 101E and On
2187-7	210046-7	1701 and On; 101D and On; 101E and On
2187-8	210046-8	1701 and On; 101D and On; 101E and On
2187-9	210046-9	1701 and On; 101D and On; 101E and On
2187-10	210046-10	1701 and On; 101D and On; 101E and On
2188-7	210044-7	1701 and On; 101D and On; 101E and On
2188-8	210044-8	1701 and On; 101D and On; 101E and On
2188-9	210044-9	1701 and On; 101D and On; 101E and On
2188-10	210044-10	1701 and On; 101D and On; 101E and On

EFFECTIVITY LIST

M 20 B, C, D & E



OLD NO.	NEW NO.	FITS MODEL NUMBER
2189-1	210042-1	1701 and On; 101D and On; 101E and On
2189-2	210042-2	1701 and On; 101D and On; 101E and On
2189-9	210042-9	1701 and On; 101D and On; 101E and On
2189-10	210042-10	1701 and On; 101D and On; 101E and On
2190-1	210027-1	1701 and On; 101D and On; 101E and On
2190-2	210027-2	1701 and On; 101D and On; 101E and On
2191-7	210019-7	1701 and On; 101D and On; 101E and On
2191-8	210019-8	1701 and On; 101D and On; 101E and On
2191-17	210019-17	1701 and On; 101D and On; 101E and On
2191-18	210019-18	1701 and On; 101D and On; 101E and On
2193-1	210038-1	1701 and On; 101D and On; 101E and On
2193-2	210038-2	1701 and On; 101D and On; 101E and On
2193-3	210038-3	1701 and On; 101D and On; 101E and On
2193-4	210038-4	1701 and On; 101D and On; 101E and On
2194-1	210041-1	1701 and On; 101D and On; 101E and On
2194-2	210041-2	1701 and On; 101D and On; 101E and On
2194-9	210041-9	1701 and On; 101D and On; 101E and On
2194-10	210041-10	1701 and On; 101D and On; 101E and On
2195-1	210026-1	1701 and On; 101D and On; 101E and On
2195-2	210026-2	1701 and On; 101D and On; 101E and On
2198-7	210013-7	1701 and On; 101D and On; 101E and On
2198-8	210013-8	1701 and On; 101D and On; 101E and On
2199-7	210014-7	1701 and On; 101D and On; 101E and On
2199-8	210014-8	1701 and On; 101D and On; 101E and On
2200-1	230000-1	1701 and On; 101D and On; 101E and On
2200-2	230000-2	1701 and On; 101D and On; 101E and On
2200-7	230000-7	1701 and On; 101D and On; 101E and On
2200-8	230000-8	1701 and On; 101D and On; 101E and On
2200-9	230000-9	1701 and On; 101D and On; 101E and On
2200-10	230000-10	1701 and On; 101D and On; 101E and On
2200-11	230000-11	1701 and On; 101D and On; 101E and On
2200-13	230000-13	1701 and On; 101D and On; 101E and On
2201-1	210028-1	1701 and On; 101D and On; 101E and On
2201-2	210028-2	1701 and On; 101D and On; 101E and On
2202-1	210039-1	1701 and On; 101D and On; 101E and On
2202-2	210039-2	1701 and On; 101D and On; 101E and On
2202-9	210039-9	1701 and On; 101D and On; 101E and On
2202-10	210039-10	1701 and On; 101D and On; 101E and On
2203-1	210040-1	1701 and On; 101D and On; 101E and On
2203-2	210040-2	1701 and On; 101D and On; 101E and On
2203-9	210040-9	1701 and On; 101D and On; 101E and On
2203-10	210040-10	1701 and On; 101D and On; 101E and On
2211-1	210029-1	1701 and On; 101D and On; 101E and On
2211-2	210029-2	1701 and On; 101D and On; 101E and On
2211-3	210029-3	1701 and On; 101D and On; 101E and On
2211-4	210029-4	1701 and On; 101D and On; 101E and On
2212	210057	1701 and On; 101D and On; 101E and On
2213	210054	1701 and On; 101D and On; 101E and On
2214-1	210102-1	1701 and On; 101D and On; 101E and On
2214-2	210102-2	1701 and On; 101D and On; 101E and On
2215	210071	1701 and On; 101D and On; 101E and On
2216-7	210052-7	1701 and On; 101D and On; 101E and On
2216-8	210052-8	1701 and On; 101D and On; 101E and On
2217-1	210022-1	1701 and On; 101D and On; 101E and On

OLD NO.	NEW NO.	FITS MODEL NUMBER
2217-2	210022-2	1701 and On; 101D and On; 101E and On
2217-7	210022-7	1701 and On; 101D and On; 101E and On
2217-8	210022-8	1701 and On; 101D and On; 101E and On
2219-9	210106-9	1701 and On; 101D and On; 101E and On
2219-10	210106-10	1701 and On; 101D and On; 101E and On
2220	210104	1701 and On; 101D and On; 101E and On
2224-1	210049-1	1701 and On; 101D and On; 101E and On
2224-2	210049-2	1701 and On; 101D and On; 101E and On
2224-7	210049-7	1701 and On; 101D and On; 101E and On
2224-8	210049-8	1701 and On; 101D and On; 101E and On
2225-7	210050-7	1701 and On; 101D and On; 101E and On
2225-8	210050-8	1701 and On; 101D and On; 101E and On
2225-9	210050-9	1901 and On; 101D and On; 101E and On
2225-10	210050-10	1901 and On; 101D and On; 101E and On
2226	210009	1701 and On; 101D and On; 101E and On
2227	210010	1701 and On; 101D and On; 101E and On
2228	210011	1701 and On; 101D and On; 101E and On
2229	210012	1701 and On; 101D and On; 101E and On
2230	210020	1701 and On; 101D and On; 101E and On
2231-1	210097-1	1701 and On; 101D and On
2231-2	210097-2	1701 and On; 101D and On
2231-7	210097-7	1701 and On; 101D and On
2231-8	210097-8	1701 and On; 101D and On
2231-9	210097-9	1701 and On; 101D and On
2231-11	210097-11	1701 and On; 101D and On
2231-13	210097-13	1701 and On; 101D and On
2231-17	210097-17	1701 and On; 101D and On
2231-21	210097-21	1701 and On; 101D and On
2232-1	210120-1	1701 and On; 101D and On; 101E and On
2232-2	210120-2	1701 and On; 101D and On; 101E and On
2232-9	210120-9	1701 and On; 101D and On; 101E and On
2232-10	210120-10	1701 and On; 101D and On; 101E and On
2235-1	210099-1	1701 and On; 101D and On; 101E and On
2235-3	210099-3	1701-1875 - -
2236-1	210023-1	1701 and On; 101D and On; 101E and On
2236-2	210023-2	1701 and On; 101D and On; 101E and On
2238-1	210098-1	1701 and On; 101D and On -
2238-2	210098-2	1701 and On; 101D and On -
2238-501	210098-501	2623C and On; 201D and On; 101E and On
2238-502	210098-502	2623C and On; 201D and On; 101E and On
2240	210100	2297-2622; 101-200D -
2240-1	210100-1	1701 and On; 101D and On; 101E and On
2240-2	210100-2	1701 and On; 101D and On; 101E and On
2242-7	210058-7	1701 and On; 101D and On; 101E and On
2242-8	210058-8	1701 and On; 101D and On; 101E and On
2243-1	210122-1	1701-1975 - -
2243-3	210122-3	1701-1975 - -
2244-1	210051-1	1751 and On; 101D and On; 101E and On
2244-2	210051-2	1751 and On; 101D and On; 101E and On
2244-7	210051-7	1701-1750 - -
2244-8	210051-8	1701-1750 - -

EFFECTIVITY LIST

M 20 B, C, D & E



OLD NO.	NEW NO.	FITS MODEL NUMBER
2245-7	240006-7	1701 and On; 101D and On; 101E and On
2245-8	240006-8	1701 and On; 101D and On; 101E and On
2245-9	240006-9	1701 and On; 101D and On; 101E and On
2246-7	240007-7	1701 and On; 101D and On; 101E and On
2246-8	240007-8	1701 and On; 101D and On; 101E and On
2247-7	240008-7	1701 and On; 101D and On; 101E and On
2247-8	240008-8	1701 and On; 101D and On; 101E and On
2248-1	240000-1	1701-1939 — —
2248-2	240000-2	1701-1939 — —
2248-3	240000-3	1940 and On; 101D and On; 101E and On
2248-4	240000-4	1940 and On; 101D and On; 101E and On
2248-7	240000-7	1940 and On; 101D and On; 101E and On
2248-8	240000-8	1940 and On; 101D and On; 101E and On
2248-9	240000-9	1701 and On; 101D and On; 101E and On
2248-10	240000-10	1701 and On; 101D and On; 101E and On
2248-12	240000-12	1701 and On; 101D and On; 101E and On
2248-13	240000-13	1701 and On; 101D and On; 101E and On
2248-14	240000-14	1701 and On; 101D and On; 101E and On
2248-15	240000-15	1701 and On; 101D and On; 101E and On
2248-16	240000-16	1701 and On; 101D and On; 101E and On
2248-17	240000-17	1701 and On; 101D and On; 101E and On
2248-18	240000-18	1701 and On; 101D and On; 101E and On
2248-19	240000-19	1701 and On; 101D and On; 101E and On
2248-20	240000-20	1701 and On; 101D and On; 101E and On
2248-21	240000-21	1701 and On; 101D and On; 101E and On
2248-23	240000-23	1701 and On; 101D and On; 101E and On
2248-24	240000-24	1701 and On; 101D and On; 101E and On
2248-28	240000-28	1701 and On; 101D and On; 101E and On
2249	210105	1701 and On; 101D and On; 101E and On
2251	210060	1701 and On; 101D and On; 101E and On
2254	210063	1701 and On; 101D and On; 101E and On
2255	210064	1701 and On; 101D and On; 101E and On
2256	210065	1701 and On; 101D and On; 101E and On
2257	210067	1701 and On; 101D and On; 101E and On
2257-7	210067-7	1701 and On; 101D and On; 101E and On
2257-8	210067-8	1701 and On; 101D and On; 101E and On
2257-9	210067-9	1701 and On; 101D and On; 101E and On
2258-1	210123-1	1701-1750 — —
2258-3	210123-3	1701-2075 — —
2260	210072	1701 and On; 101D and On; 101E and On
2261	210073	1701 and On; 101D and On; 101E and On
2262-7	210074-7	1701 and On; 101D and On; 101E and On
2262-8	210074-8	1701 and On; 101D and On; 101E and On
2263	210075	1701 and On; 101D and On; 101E and On
2264	210076	1701 and On; 101D and On; 101E and On
2268	240009	1701 and On; 101D and On; 101E and On
2269-7	240010-7	1701 and On; 101D and On; 101E and On
2269-8	240010-8	1701 and On; 101D and On; 101E and On
2270	210095	1701 and On; 101D and On; 101E and On
2271-1	210021-1	1701 and On; 101D and On; 101E and On
2271-2	210021-2	1701 and On; 101D and On; 101E and On
2272-1	210078-1	1701 and On; 101D and On; 101E and On
2272-2	210078-2	1701 and On; 101D and On; 101E and On
2272-9	210078-9	1701 and On; 101D and On; 101E and On

OLD NO.	NEW NO.	FITS MODEL NUMBER
2272-10	210078-10	1701 and On; 101D and On; 101E and On
2272-503	210078-503	- 101D and On -
2272-504	210078-504	- 101D and On -
2274-501	210109-501	1701 and On; 101D and On; 101E and On
2275	210111	1701 and On; 101D and On; 101E and On
2276	210110	1701 and On; 101D and On; 101E and On
2277-7	210108-7	1701 and On; 101D and On; 101E and On
2277-8	210108-8	1701 and On; 101D and On; 101E and On
2277-9	210108-9	1701 and On; 101D and On; 101E and On
2277-10	210108-10	1701 and On; 101D and On; 101E and On
2281-7	210092-7	1701 and On; 101D and On; 101E and On
2281-9	210092-9	1701 and On; 101D and On; 101E and On
2281-11	210092-11	1701 and On; 101D and On; 101E and On
2281-13	210092-13	1701 and On; 101D and On; 101E and On
2283-9	210084-9	1701 and On; 101D and On; 101E and On
2285-1	210083-1	1701 and On; 101D and On; 101E and On
2285-2	210083-2	1701 and On; 101D and On; 101E and On
2289-7	230008-7	1701 and On; 101D and On; 101E and On
2289-8	230008-8	1701 and On; 101D and On; 101E and On
2290	230002	1701 and On; 101D and On; 101E and On
2291-1	230003-1	1701 and On; 101D and On; 101E and On
2291-2	230003-2	1701 and On; 101D and On; 101E and On
2291-7	230003-7	1701 and On; 101D and On; 101E and On
2291-8	230003-8	1701 and On; 101D and On; 101E and On
2292-7	230004-7	1701 and On; 101D and On; 101E and On
2292-8	230004-8	1701 and On; 101D and On; 101E and On
2293-1	230005-1	1701 and On; 101D and On; 101E and On
2293-2	230005-2	1701 and On; 101D and On; 101E and On
2294-1	230001-1	1701 and On; 101D and On; 101E and On
2294-2	230001-2	1701 and On; 101D and On; 101E and On
2295-7	230006-7	1701 and On; 101D and On; 101E and On
2295-8	230006-8	1701 and On; 101D and On; 101E and On
2296-1	230009-1	1813 and On; 101D and On; 101E and On
2296-2	230009-2	1813 and On; 101D and On; 101E and On
2296-7	230009-7	1701-1812 - -
2296-8	230009-8	1701-1812 - -
2297-7	230007-7	1701 and On; 101D and On; 101E and On
2297-8	230007-8	1701 and On; 101D and On; 101E and On
2297-9	230007-9	1701 and On; 101D and On; 101E and On
2297-10	230007-10	1701 and On; 101D and On; 101E and On
2306	912000	1701 and On; 101D and On -
2313-1	210113-1	1701 and On; 101D and On; 101E and On
2313-3	210113-3	1701-2075 - -
2313-3	210113-3	1751-1975 - -
2313-5	210113-5	1801-2075 - -
2315-1	210121-1	1701-1975 - -
2315-3	210121-3	1801-1975 - -
2315-5	210121-5	1801-1975 - -
2323-7	210103-7	1701 and On; 101D and On; 101E and On
2323-8	210103-8	1701 and On; 101D and On; 101E and On
2326-7	210114-7	1940 and On; 101D and On; 101E and On
2327-1	913011-1	1976 and On; 101D and On; 101E and On
2327-1	913011-1	1976-2409 - -
2327-501	913011-501	Replaced 913011-1

EFFECTIVITY LIST

M 20 B, C, D & E



OLD NO.	NEW NO.	FITS MODEL NUMBER
2328-1	913012-1	1976-2075 — —
3011-501	310000-501	Replaces -7 and Basic
3011-7	310000-7	1801 and On; 101D and On; 101E and On
3020	340001	1701 and On; 101D and On; 101E and On
3021	500138	1701 and On; 101D and On; 101E and On
3022	340002	1701 and On; 101D and On; 101E and On
3023	340003	1701 and On; 101D and On; 101E and On
3024	500141	1701 and On; 101D and On; 101E and On
3025	340079	1956 and On; 101D and On; 101E and On
3028	140004	1701 and On; 101D and On; 101E and On
3032-1	310002-1	1701 and On; 101D and On; 101E and On
3032-2	310002-2	1701 and On; 101D and On; 101E and On
3036	350002	1701 and On; 101D and On; 101E and On
3037-1	310003-1	1701 and On; 101D and On; 101E and On
3037-2	310003-2	1701 and On; 101D and On; 101E and On
3038	310004	1701 and On; 101D and On; 101E and On
3039	310005	1701 and On; 101D and On; 101E and On
3040	590002	1701 and On; 101D and On
3041-1	590002-1	1701 and On; 101D and On; 101E and On
3042-3	340102-3	1701-1939 — —
3042-4	340102-4	1701-1939 — —
3044-1	340004-1	1940 and On; 101D and On; 101E and On
3051	340005	1701 and On; 101D and On; 101E and On
3052	310006	1701 and On; 101D and On; 101E and On
3053	310007	1701 and On; 101D and On; 101E and On
3056	500150	1701 and On; 101D and On; 101E and On
3057	140006	1701-2296 — —
3064	350008	1701 and On; 101D and On; 101E and On
3065	350009	1701 and On; 101D and On; 101E and On
3066-1	350010-1	1701 and On; 101D and On; 101E and On
3066-2	350010-2	1701 and On; 101D and On; 101E and On
3067-3	350011-3	1701 and On; 101D and On; 101E and On
3067-4	350011-4	1701 and On; 101D and On; 101E and On
3068-1	350012-1	1751 and On; 101D and On; 101E and On
3068-3	350012-3	1701-1750 — —
3069	350013	1701 and On; 101D and On; 101E and On
3070	350014	1701 and On; 101D and On; 101E and On
3071	350015	1701 and On; 101D and On; 101E and On
3072	350016	1701 and On; 101D and On; 101E and On
3073-1	350017-1	1701 and On; 101D and On; 101E and On
3074-1	350018-1	1701 and On; 101D and On; 101E and On
3074-2	350018-2	1701 and On; 101D and On; 101E and On
3075	350019	1701 and On; 101D and On; 101E and On
3076	350020	1701 and On; 101D and On; 101E and On
3077-1	350021-1	1701 and On; 101D and On; 101E and On
3077-2	350021-2	1701 and On; 101D and On; 101E and On
3078-1	350022-1	1701 and On; 101D and On; 101E and On
3078-2	350022-2	1701 and On; 101D and On; 101E and On
3079-1	350023-1	1701 and On; 101D and On; 101E and On
3082-1	350024-1	1701 and On; 101D and On; 101E and On
3082-2	350024-2	1701 and On; 101D and On; 101E and On
3083	350025	1701 and On; 101D and On; 101E and On
3093	340006	1701 and On; 101D and On; 101E and On

OLD NO.	NEW NO.	FITS MODEL NUMBER
3106	350030	1701 and On; 101D and On; 101E and On
3111	350033	1701 and On; 101D and On; 101E and On
3113	350035	1701 and On; 101D and On; 101E and On
3114	350036	1701 and On; 101D and On; 101E and On
3124	310009	1701 and On; 101D and On; 101E and On
3131	340007	1701 and On; 101D and On; 101E and On
3132	340008	1701 and On; 101D and On; 101E and On
3135	913015	1701 and On; 101D and On; 101E and On
3136	913016	1701 and On; 101D and On; 101E and On
3150-1	310010-1	1701 and On; 101D and On; 101E and On
3150-2	310010-2	1701 and On; 101D and On; 101E and On
3161	310013	1701 and On; 101D and On; 101E and On
3165-7	310016-7	1701 and On; 101D and On; 101E and On
3166	310017	1701 and On; 101D and On; 101E and On
3169	310019	1701 and On; 101D and On; 101E and On
3185-4	310020-4	1701 and On; 101D and On; 101E and On
3185-5	310020-5	1701-2296
3185-17	310020-17	2297-2622; 101D-200D; 101E and On
3192	310021	1701 and On; 101D and On; 101E and On
3194	310023	1701 and On; 101D and On; 101E and On
3196	310024	1701 and On; 101D and On; 101E and On
3197	310025	1701 and On; 101D and On; 101E and On
3200	310026	1701-1760
3200-3	310026-3	1761 and On; 101D and On; 101E and On
3212	310027	1701 and On; 101D and On; 101E and On
3215	310029	1701-2207
3217	310031	1701-2208
3218	310032	1701-2208
3218-3	310032-3	1701-1939
3219-1	310033-1	1701 and On; 101D and On; 101E and On
3219-2	310033-2	1701 and On; 101D and On; 101E and On
3220-3	310034-3	1701 and On; 101D and On; 101E and On
3220-5	310034-5	1701 and On; 101D and On; 101E and On
3222-1	310035-1	1701 and On; 101D and On; 101E and On
3227	310036	1701 and On; 101D and On; 101E and On
3228	310037	1701 and On; 101D and On; 101E and On
3236	310039	1701 and On; 101D and On; 101E and On
3237-1	310040-1	1701 and On; 101D and On; 101E and On
3237-2	310040-2	1701 and On; 101D and On; 101E and On
3245-2	913020-2	1701 and On; 101D and On; 101E and On
3246-1	310044-1	1701 and On; 101D and On; 101E and On
3246-2	310044-2	1701 and On; 101D and On; 101E and On
3250	310045	1701 and On; 101D and On; 101E and On
3251-1	310046-1	1701 and On; 101D and On; 101E and On
3251-2	310046-2	1701 and On; 101D and On; 101E and On
3252	310047	1701 and On; 101D and On; 101E and On
3253-1	310048-1	1701 and On; 101D and On; 101E and On
3254	310049	1701 and On; 101D and On; 101E and On
3255-1	310050-1	1701 and On; 101D and On; 101E and On
3255-2	310050-2	1701 and On; 101D and On; 101E and On
3257-1	310052-1	1701 and On; 101D and On; 101E and On
3257-2	310052-2	1701 and On; 101D and On; 101E and On
3259	310053	1701 and On; 101D and On; 101E and On
3266-1	310054-1	1940 and On

EFFECTIVITY LIST

M 20 B, C, D & E



OLD NO.	NEW NO.	FITS MODEL NUMBER
3266-2	310054-2	1940 and On; 101D and On; 101E and On
3266-7	310054-7	1701-1939 - -
3266-8	310054-8	1401-1939 - -
3268-1	310055-1	1701 and On; 101D and On; 101E and On
3268-2	310055-2	1701 and On; 101D and On; 101E and On
3271	340009	1701 and On; 101D and On; 101E and On
3271-1	340009-1	1701 and On; 101D and On; 101E and On
3271-2	340009-2	1701 and On; 101D and On; 101E and On
3271-3	340009-3	1701 and On; 101D and On; 101E and On
3271-4	340009-4	1701 and On; 101D and On; 101E and On
3271-5	340009-5	1701 and On; 101D and On; 101E and On
3271-6	340009-6	1701 and On; 101D and On; 101E and On
3271-7	340009-7	1701 and On; 101D and On; 101E and On
3271-8	340009-8	1701 and On; 101D and On; 101E and On
3271-9	340009-9	1701 and On; 101D and On; 101E and On
3271-10	340009-10	1701 and On; 101D and On; 101E and On
3271-12	340009-12	1701 and On; 101D and On; 101E and On
3271-13	340009-13	1701 and On; 101D and On; 101E and On
3271-14	340009-14	1701 and On; 101D and On; 101E and On
3272-1	340010-1	1701 and On; 101D and On; 101E and On
3272-2	340010-2	1701 and On; 101D and On; 101E and On
3272-3	340010-3	1701 and On; 101D and On; 101E and On
3272-4	340010-4	1701 and On; 101D and On; 101E and On
3272-5	340010-5	1701 and On; 101D and On; 101E and On
3272-6	340010-6	1701 and On; 101D and On; 101E and On
3272-7	340010-7	1701 and On; 101D and On; 101E and On
3272-8	340010-8	1701 and On; 101D and On; 101E and On
3274	340011	1701 and On; 101D and On; 101E and On
3274-1	340011-1	1701 and On; 101D and On; 101E and On
3274-2	340011-2	1701 and On; 101D and On; 101E and On
3274-3	340011-3	1701 and On; 101D and On; 101E and On
3274-4	340011-4	1701 and On; 101D and On; 101E and On
3274-5	340011-5	1701 and On; 101D and On; 101E and On
3275-1	340012-1	1701 and On; 101D and On; 101E and On
3275-2	340012-2	1701 and On; 101D and On; 101E and On
3275-3	340012-3	1701 and On; 101D and On; 101E and On
3276-	340013	1701 and On; 101D and On; 101E and On
3276-1	340013-1	1701 and On; 101D and On; 101E and On
3276-2	340013-2	1701 and On; 101D and On; 101E and On
3276-3	340013-3	1701 and On; 101D and On; 101E and On
3276-4	340013-4	1701 and On; 101D and On; 101E and On
3276-5	340013-5	1701 and On; 101D and On; 101E and On
3276-6	340013-6	1701 and On; 101D and On; 101E and On
3277	340014	1701 and On; 101D and On; 101E and On
3277-1	340014-1	1701 and On; 101D and On; 101E and On
3277-2	340014-2	1701 and On; 101D and On; 101E and On
3277-3	340014-3	1701 and On; 101D and On; 101E and On
3277-4	340014-4	1701 and On; 101D and On; 101E and On
3277-5	340014-5	1701 and On; 101D and On; 101E and On
3279-3	340016-3	1701 and On; 101D and On; 101E and On
3279-11	340016-11	1701 and On; 101D and On; 101E and On
3279-22	340016-22	1701 and On; 101D and On; 101E and On
3283-3	340018-3	1701 and On; 101D and On; 101E and On

OLD NO.	NEW NO.	FITS MODEL NUMBER
3283-4	340018-4	1701 and On; 101D and On; 101E and On
3283-5	340018-5	1701 and On; 101D and On; 101E and On
3283-7	340018-7	1701 and On; 101D and On; 101E and On
3283-8	340018-8	1701 and On; 101D and On; 101E and On
3283-9	340018-9	1701 and On; 101D and On; 101E and On
3283-i0	340018-10	1701 and On; 101D and On; 101E and On
3283-17	340018-17	1701 and On; 101D and On; 101E and On
3283-19	340018-19	1701 and On; 101D and On; 101E and On
3283-21	340018-21	1701 and On; 101D and On; 101E and On
3283-22	340018-22	1701 and On; 101D and On; 101E and On
3283-23	340018-23	1701 and On; 101D and On; 101E and On
3283-24	340018-24	1701 and On; 101D and On; 101E and On
3283-26	340018-26	1701 and On; 101D and On; 101E and On
3283-27	340018-27	1701 and On; 101D and On; 101E and On
3290	470001	1701 and On; 101D and On; 101E and On
3292-1	310043-1	1701 and On; 101D and On; 101E and On
3292-2	310043-2	1701 and On; 101D and On; 101E and On
3300	310056	1701 and On; 101D and On; 101E and On
3302-1	010003-1	1701 and On; 101D and On; 101E and On
3302-2	010003-2	1701 and On; 101D and On; 101E and On
3310-1	310057-1	1701 and On; 101D and On; 101E and On
3310-2	310057-2	1701 and On; 101D and On; 101E and On
3310-3	310057-3	1701 and On; 101D and On; 101E and On
3310-5	310057-5	1701 and On; 101D and On; 101E and On
3310-6	310057-6	1701 and On; 101D and On; 101E and On
3311	310058	1701 and On; 101D and On; 101E and On
3312	310059	1701 and On; 101D and On; 101E and On
3313	912001	1701 and On; 101D and On; 101E and On
3317-1	912002-1	1701 and On; 101D and On; 101E and On
3317-2	912002-2	1701 and On; 101D and On; 101E and On
3326	310065	1701 and On; 101D and On; 101E and On
3329	310068	1701 and On; 101D and On; 101E and On
3331	340019	1701 and On; 101D and On; 101E and On
3334	350088	1701 and On; 101D and On; 101E and On
3335	350089	1701 and On; 101D and On; 101E and On
3336	350090	1701 and On; 101D and On; 101E and On
3336-5	350090-5	1701 and On; 101D and On; 101E and On
3337	350091	1701 and On; 101D and On; 101E and On
3337-1	350091-1	1701 and On; 101D and On; 101E and On
3338	350092	1701 and On; 101D and On; 101E and On
3342	350094	1701 and On; 101D and On; 101E and On
3345	350095	1701 and On; 101D and On; 101E and On
3352	310071	1701 and On; 101D and On; 101E and On
3353	310072	1701 and On; 101D and On; 101E and On
3355	310073	1701 and On; 101D and On; 101E and On
3356	310074	1701 and On; 101D and On; 101E and On
3358	310076	1801-1975 — —
3358-1	310076-1	1701-1800 — —
3359	310149	1701-1939 — —
3361	310077	1701 and On; 101D and On; 101E and On
3362	500292	1701-1939 — —
3363	500295	1701-1939 — —
3364	310078	1701 and On; 101D and On; 101E and On
3365	350096	1701 and On; 101D and On; 101E and On

EFFECTIVITY LIST

M 20 B, C, D & E



OCTOBER 15, 1963

OLD NO.	NEW NO.	FITS MODEL NUMBER
3367	310080	1701 and On; 101D and On; 101E and On
3370	310083	1701 and On; 101D and On; 101E and On
3372	310085	1701 and On; 101D and On; 101E and On
3374	310087	1701 and On; 101D and On; 101E and On
3376	310089	1701 and On; 101D and On; 101E and On
3377	310090	1701 and On; 101D and On; 101E and On
3378-7	310091-7	1701 and On; 101D and On; 101E and On
3378-8	310091-8	1701 and On; 101D and On; 101E and On
3380-1	310093-1	1701 and On; 101D and On; 101E and On
3388	310098	1701 and On; 101D and On; 101E and On
3389	310099	1701 and On; 101D and On; 101E and On
3391	340057	1701-1939 - -
3393	820047	1701-1939 - -
3393-8	820047-8	1701-1939 - -
3403	913013	1701 and On; 101D and On; 101E and On
3404	913014	1701 and On; 101D and On; 101E and On
3409	590000	- - 101E and On
3436-7	350050-7	1701 and On; 101D and On; 101E and On
3436-8	350050-8	1701 and On; 101D and On; 101E and On
3437	310110	1701 and On; 101D and On; 101E and On
3446	350052	1701 and On; 101D and On; 101E and On
3451-7	350053-7	1701 and On; 101D and On; 101E and On
3451-8	350053-8	1701 and On; 101D and On; 101E and On
3475-11	350054-11	2297 and On - 101E and On
3488	340025	1701-1955 - -
3500	340052	1701 and On; 101D and On; 101E and On
3500-7	340052-7	1940 and On; 101D and On; 101E and On
3500-9	340052-9	1940 and On; 101D and On; 101E and On
3500-11	340052-11	1940 and On; 101D and On; 101E and On
3500-13	340052-13	1940 and On; 101D and On; 101E and On
3501-9	340053-9	1940 and On; 101D and On; 101E and On
3502-7	340054-7	1940 and On; 101D and On; 101E and On
3502-9	340054-9	1940 and On; 101D and On; 101E and On
3503-7	340055-7	1940 and On; 101D and On; 101E and On
3503-8	340055-8	1940 and On; 101D and On; 101E and On
3505	140010	1940 and On; 101D and On; 101E and On
3512-7	140017-7	1940 and On; 101D and On; 101E and On
3512-8	140017-8	1940 and On; 101D and On; 101E and On
3518	140003	1701-2296 - -
3519	140002	1701-2296 - -
3521	140001	1701-2296 - -
3522	140000	1940-2296 - -
3524	310140	1701 and On; 101D and On; 101E and On
3528-1	310101-1	2623C and On; 201D and On; 101E and On
3530	310115	1976 and On; 101D and On; 101E and On
3543	310116	1976 and On; 101D and On; 101E and On
3611	340030	1701 and On; 101D and On; 101E and On
3611-1	340030-1	1701 and On; 101D and On; 101E and On
3611-2	340030-2	1701 and On; 101D and On; 101E and On
3611-11	340030-11	1701 and On; 101D and On; 101E and On
3611-12	340030-12	1701 and On; 101D and On; 101E and On
3611-13	340030-13	1701 and On; 101D and On; 101E and On
3611-14	340030-14	1701 and On; 101D and On; 101E and On

OLD NO.	NEW NO.	FITS MODEL NUMBER
3611-15	340030-15	1701 and On; 101D and On; 101E and On
3611-18	340030-18	1701 and On; 101D and On; 101E and On
3611-20	340030-20	1701 and On; 101D and On; 101E and On
3611-31	340030-31	1701 and On; 101D and On; 101E and On
3611-32	340030-32	1701 and On; 101D and On; 101E and On
3611-34	340030-34	1940 and On; 101D and On; 101E and On
3611-35	340030-35	1940 and On; 101D and On; 101E and On
3611-36	340030-36	1940 and On; 101D and On; 101E and On
3650	140071	1701-1939 - -
3652-1	140021-1	1701-2296 - -
3654-1	140023-1	1701-2296 - -
3655	140024	1701-2296 - -
3656	140025	1701-2296 - -
3657	140026	1701-2296 - -
3663	916001	1701-1975 - 101E and On
3666	140031	1701-2296; 101D and On; 101E and On
3668	140033	1701-2296 - -
3669	140034	1701-2296 - -
3901-7	340034-7	1701 and On; 101D and On; 101E and On
3901-8	340034-8	1701 and On; 101D and On; 101E and On
3902-7	340035-7	1701 and On; 101D and On; 101E and On
3902-8	340035-8	1701 and On; 101D and On; 101E and On
3903-7	340036-7	1701 and On; 101D and On; 101E and On
3903-8	340036-8	1701 and On; 101D and On; 101E and On
3904-7	340037-7	1701-1750 - -
3904-8	340037-8	1701-1750 - -
3905	340038	1701 and On; 101D and On; 101E and On
3910-7	350055-7	1701 and On; 101D and On; 101E and On
3910-8	350055-8	1701 and On; 101D and On; 101E and On
3911	350000	1701-1939 - -
3911	350000	1940-2296 - -
3911-7	350000-7	1701 and On; 101D and On; 101E and On
3911-8	350000-8	1701 and On; 101D and On; 101E and On
3911-9	350000-9	1701 and On; 101D and On; 101E and On
3911-10	350000-10	1701 and On; 101D and On; 101E and On
3911-11	350000-11	1701 and On; 101D and On; 101E and On
3911-12	350000-12	1701 and On; 101D and On; 101E and On
3911-13	350000-13	1701 and On; 101D and On; 101E and On
3911-15	350000-15	1701 and On; 101D and On; 101E and On
3911-17	350000-17	1701 and On; 101D and On; 101E and On
3911-61	350000-61	1701 and On; 101D and On; 101E and On
3911-501	350000-501	2297-2622 - -
3911-503	350000-503	- 101-200D -
3911-505	350000-505	- - 101E and On
3911-507	350000-507	2623C and On - -
3911-509	350000-509	- 201D and On -
3912	350056	1701 and On; 101D and On; 101E and On
3913-7	350057-7	1701 and On; 101D and On; 101E and On
3913-8	350057-8	1701 and On; 101D and On; 101E and On
3914-7	350058-7	1701 and On; 101D and On; 101E and On
3914-8	350058-8	1701 and On; 101D and On; 101E and On
3915	350059	1701 and On; 101D and On; 101E and On
3916-7	350060-7	1701 and On; 101D and On; 101E and On

EFFECTIVITY LIST

M 20 B, C, D & E



OLD NO.	NEW NO.	FITS MODEL NUMBER
3916-8	350060-8	1701 and On; 101D and On; 101E and On
3917-7	350061-7	1701 and On; 101D and On; 101E and On
3917-8	350061-8	1701 and On; 101D and On; 101E and On
3918	350062	1701 and On; 101D and On; 101E and On
3919	350063	1701 and On; 101D and On; 101E and On
3922-1	350066-1	1701 and On; 101D and On; 101E and On
3922-2	350066-2	1701 and On; 101D and On; 101E and On
3924	350068	1701 and On; 101D and On; 101E and On
3925	350069	1701 and On; 101D and On; 101E and On
3926	350070	1701 and On; 101D and On; 101E and On
3927	350071	1701 and On; 101D and On; 101E and On
3928	350072	1701 and On; 101D and On; 101E and On
3929	350073	1701 and On; 101D and On; 101E and On
3930	350074	1701 and On; 101D and On; 101E and On
3931	350075	1701 and On; 101D and On; 101E and On
3932	350076	1701 and On; 101D and On; 101E and On
3933-7	470002-7	1701 and On; 101D and On; 101E and On
3933-8	470002-8	1701 and On; 101D and On; 101E and On
3934-7	350077-7	1701 and On; 101D and On; 101E and On
3934-8	350077-8	1701 and On; 101D and On; 101E and On
3935-7	350078-7	1701 and On; 101D and On; 101E and On
3935-8	350078-8	1701 and On; 101D and On; 101E and On
3936	340101	1701-1939 - -
3937-7	340099-7	1701-1939 - -
3937-8	340099-8	1701-1939 - -
3937-9	340099-9	1701-1939 - -
3940-1	340097-1	1701-1939 - -
3940-2	340097-2	1701-1939 - -
3940-3	340097-3	1701-1939 - -
3940-4	340097-4	1701-1939 - -
3941	340088	1701-1939 - -
3942	340089	1701-1939 - -
3943	350079	1701 and On; 101D and On; 101E and On
3949-7	340103	1701-1939 - -
3955-503	310118-501	1940 and On; 101D and On; 101E and On
3972	340093	1701-1939 - -
3973-3	310123-3	1701 and On; 101D and On; 101E and On
3974-501	310124-501	1701 and On; 101D and On; 101E and On
3975	310125	1701 and On; 101D and On; 101E and On
3976-7	310126-7	1701 and On; 101D and On; 101E and On
3976-8	310126-8	1701 and On; 101D and On; 101E and On
3978	310128	1701 and On; 101D and On; 101E and On
3979-3	310129-3	1701 and On; 101D and On; 101E and On
3979-4	310129-4	1701 and On; 101D and On; 101E and On
3979-4	310129-4	1701 and On; 101D and On; 101E and On
3980	350084	1701 and On; 101D and On; 101E and On
3981	310130	1701 and On; 101D and On; 101E and On
3984-9	310132-9	1940 and On; 101D and On; 101E and On
3990	310134	1701 and On; 101D and On; 101E and On
3991	310135	1701 and On; 101D and On; 101E and On
3992	310136	1701 and On; 101D and On; 101E and On
3993-7	340048-7	1751 and On; 101D and On; 101E and On

OLD NO.	NEW NO.	FITS MODEL NUMBER
3993-8	340048-8	1751 and On; 101D and On; 101E and On
3995-7	310137-7	1701 and On; 101D and On; 101E and On
3995-8	310137-8	1701 and On; 101D and On; 101E and On
3996-7	310138-7	1701 and On; 101D and On; 101E and On
3996-8	310138-8	1701 and On; 101D and On; 101E and On
3997	310139	1940 and On; 101D and On; 101E and On
3998-1	340049-1	1940 and On; 101D and On; 101E and On
3998-2	340049-2	1940 and On; 101D and On; 101E and On
4101	450000	1701 and On; 101D and On; 101E and On
4101-7	450000-7	1701 and On; 101D and On; 101E and On
4101-9	450000-9	1701 and On; 101D and On; 101E and On
4102	420000	1701 and On; 101D and On; 101E and On
4102-7	420000-7	1701 and On; 101D and On; 101E and On
4102-9	420000-9	1701-2075 - -
4102-11	420000-11	1701-2075 - -
4102-13	420000-13	1701 and On; 101D and On; 101E and On
4102-17	420000-17	1701 and On; 101D and On; 101E and On
4102-19	420000-19	1701 and On; 101D and On; 101E and On
4102-23	420000-23	2076 and On; 101D and On; 101E and On
4102-25	420000-25	2076 and On; 101D and On; 101E and On
4103-1	430000-1	1701-1939 - -
4103-2	430000-2	1701-1939 - -
4103-5	430000-5	1701 and On; 101D and On; 101E and On
4103-6	430000-6	1701 and On; 101D and On; 101E and On
4103-7	430000-7	1701-1939 - -
4103-9	430000-9	1701-1939 - -
4103-12	430000-12	1940 and On - -
4103-13	430000-13	1940 and On - -
4104-3	460000-3	1701 and On; 101D and On; 101E and On
4104-11	460000-11	1701 and On; 101D and On; 101E and On
4104-12	460000-12	1701 and On; 101D and On; 101E and On
4105	460001	1701 and On; 101D and On; 101E and On
4107	440000	1701 and On; 101D and On; 101E and On
4108	440001	1701 and On; 101D and On; 101E and On
4109	440002	1701 and On; 101D and On; 101E and On
4110	440003	1701 and On; 101D and On; 101E and On
4111	440004	1701 and On; 101D and On; 101E and On
4112-7	440005-7	1701 and On; 101D and On; 101E and On
4112-9	440005-9	1701 and On; 101D and On; 101E and On
4113-7	440006-7	1701 and On; 101D and On; 101E and On
4113-9	440006-9	1701 and On; 101D and On; 101E and On
4114-7	440007-7	1701 and On; 101D and On; 101E and On
4114-9	440007-9	1701 and On; 101D and On; 101E and On
4114-11	440007-11	1701 and On; 101D and On; 101E and On
4116	440008	1701 and On; 101D and On; 101E and On
4117	440009	1701 and On; 101D and On; 101E and On
4118	440010	1701-1975 - -
4119	410003	1701 and On; 101D and On; 101E and On
4120	410004	1701 and On; 101D and On; 101E and On
4121	410005	1701 and On; 101D and On; 101E and On
4122-7	410006-7	1701 and On; 101D and On; 101E and On
4122-9	410006-9	1701 and On; 101D and On; 101E and On
4123-7	410007-7	1701 and On; 101D and On; 101E and On

EFFECTIVITY LIST

M 20 B, C, D & E



OLD NO.	NEW NO.	FITS MODEL NUMBER
4123-9	410007-9	1701 and On; 101D and On; 101E and On
4124-7	410008-7	1701 and On; 101D and On; 101E and On
4124-9	410008-9	1701 and On; 101D and On; 101E and On
4125-7	410009-7	1701 and On; 101D and On; 101E and On
4125-9	410009-9	1701 and On; 101D and On; 101E and On
4125-11	410009-11	1701 and On; 101D and On; 101E and On
4126	410010	1701 and On; 101D and On; 101E and On
4127-7	410011-7	1701 and On; 101D and On; 101E and On
4127-8	410011-8	1701 and On; 101D and On; 101E and On
4127-9	410011-9	1701 and On; 101D and On; 101E and On
4127-10	410011-10	1701 and On; 101D and On; 101E and On
4128-7	410012-7	1701 and On; 101D and On; 101E and On
4128-9	410012-9	1701 and On; 101D and On; 101E and On
4129	410013	1701 and On; 101D and On; 101E and On
4130	410014	1701 and On; 101D and On; 101E and On
4131	410015	1701-1975 - -
4132	440011	1701 and On; 101D and On; 101E and On
4133	440012	1701 and On; 101D and On; 101E and On
4134	440013	1701 and On; 101D and On; 101E and On
4135	440014	1701 and On; 101D and On; 101E and On
4137	440015	1701 and On; 101D and On; 101E and On
4138	410017	1701 and On; 101D and On; 101E and On
4143-1	914001-1	1701 and On; 101D and On; 101E and On
4143-3	914001-3	1701 and On; 101D and On; 101E and On
4144-9	914002-9	1701 and On; 101D and On; 101E and On
4144-11	914002-11	1701 and On; 101D and On; 101E and On
4144-13	914002-13	1701 and On; 101D and On; 101E and On
4145	410000	1701 and On; 101D and On; 101E and On
4146	410019	1701 and On; 101D and On; 101E and On
4147	410020	1701 and On; 101D and On; 101E and On
4148	410021	1701 and On; 101D and On; 101E and On
4149-7	410022-7	1701 and On; 101D and On; 101E and On
4149-8	410022-8	1701 and On; 101D and On; 101E and On
4151	460002	1701 and On; 101D and On; 101E and On
4152	430001	1701 and On; 101D and On; 101E and On
4153-1	410024-1	1701 and On; 101D and On; 101E and On
4153-2	410024-2	1701 and On; 101D and On; 101E and On
4155-19	480003-19	1701 and On; 101D and On; 101E and On
4155-21	480003-21	1701 and On; 101D and On; 101E and On
4157-7	430002-7	1701 and On; 101D and On; 101E and On
4157-9	430002-9	1701 and On; 101D and On; 101E and On
4158	460003	1701 and On; 101D and On; 101E and On
4159	460004	1701 and On; 101D and On; 101E and On
4160	460005	1701 and On; 101D and On; 101E and On
4161	460006	1701 and On; 101D and On; 101E and On
4162-7	430003-7	1701 and On; 101D and On; 101E and On
4162-9	430003-9	1701 and On; 101D and On; 101E and On
4162-11	430003-11	1701 and On; 101D and On; 101E and On
4162-15	430003-15	1701 and On; 101D and On; 101E and On
4162-17	430003-17	1701 and On; 101D and On; 101E and On
4163	460007	1701 and On; 101D and On; 101E and On
4164	430004	1701 and On; 101D and On; 101E and On
4165	430005	1701 and On; 101D and On; 101E and On

OLD NO.	NEW NO.	FITS MODEL NUMBER
4166	430006	1701 and On; 101D and On; 101E and On
4167	430007	1701 and On; 101D and On; 101E and On
4168	430008	1701 and On; 101D and On; 101E and On
4169	460008	1701 and On; 101D and On; 101E and On
4170-1	430009-1	1701 and On; 101D and On; 101E and On
4170-2	430009-2	1701 and On; 101D and On; 101E and On
4171	440017	1701 and On; 101D and On; 101E and On
4172-7	410027-7	1701 and On; 101D and On; 101E and On
4172-9	410027-9	1701 and On; 101D and On; 101E and On
4172-11	410027-11	1701 and On; 101D and On; 101E and On
4172-13	410027-13	1701 and On; 101D and On; 101E and On
4174	480001	1701 and On; 101D and On; 101E and On
4175	350097	1701-1939 - -
4180		1701 and On; 101D and On; 101E and On
4181		1701-1939 - -
4182	480002	1701 and On; 101D and On; 101E and On
4185	430010	1701 and On; 101D and On; 101E and On
4190	440019	1701 and On; 101D and On; 101E and On
4191	460009	1701 and On; 101D and On; 101E and On
4193	410032	1701 and On; 101D and On; 101E and On
4195-7	430013-7	1701 and On; 101D and On; 101E and On
4195-11	430013-11	1701 and On; 101D and On; 101E and On
4196-7	430014-7	1701 and On; 101D and On; 101E and On
4196-9	430014-9	1701 and On; 101D and On; 101E and On
4197-7	430015-7	1701 and On; 101D and On; 101E and On
4198	460010	1701 and On; 101D and On; 101E and On
4199	410034	1701 and On; 101D and On; 101E and On
4206-7	460011-7	1940 and On
4211-7	410038-7	1976 and On; 101D and On; 101E and On
4212-7	440016-7	1976 and On - -
5010	530001	1701 and On; 101D and On; 101E and On
5013-3	520003-3	1701 and On; 101D and On; 101E and On
5015-5	540001-5	1701 and On; 101D and On; 101E and On
5018-1	520002-1	1701 and On; 101D and On; 101E and On
5018-2	520002-2	1701 and On; 101D and On; 101E and On
5021	510008	1701 and On; 101D and On; 101E and On
5026-7	510011-7	1701 and On; 101D and On; 101E and On
5026-9	510011-9	- 101D and On -
5028	510013	1701 and On; 101D and On; 101E and On
5032-7	530003-7	1701 and On; 101D and On; 101E and On
5034-3	560003-3	1701 and On; 101D and On; 101E and On
5034-4	560003-4	1701 and On; 101D and On; 101E and On
5039	560005	1701 and On; 101D and On; 101E and On
5040	560006	1701-2050 - -
5041	560007	1701 and On; 101D and On; 101E and On
5042	914004	1701 and On; 101D and On; 101E and On
5042-3	914004-3	1701 and On; 101D and On; 101E and On
5043		1701 and On; 101D and On; 101E and On
5044-3	913022-3	1701 and On; 101D and On; 101E and On
5046-1	914007-1	1701 and On; 101D and On; 101E and On
5046-2	914007-2	1701 and On; 101D and On; 101E and On
5046-3	914007-3	1701 and On; 101D and On; 101E and On
5046-4	914007-4	1701 and On; 101D and On; 101E and On

EFFECTIVITY LIST

M 20 B, C, D & E



OLD NO.	NEW NO.	FITS MODEL NUMBER
5046-5	914007-5	1701 and On; 101D and On; 101E and On
5048	540000	1701 and On; 101D and On; 101E and On
5049	510018	1701 and On; 101D and On; 101E and On
5051-7	510019-7	1701 and On; 101D and On; 101E and On
5051-9	510019-9	1701 and On; 101D and On; 101E and On
5051-11	510019-11	1701 and On; 101D and On; 101E and On
5051-13	510019-13	1701 and On; 101D and On; 101E and On
5051-15	510019-15	1701 and On; 101D and On; 101E and On
5051-17	510019-17	1701 and On; 101D and On; 101E and On
5059	560011	1701 and On; - 101E and On
5062-20	540002-20	1701 and On; 101D and On; 101E and On
5062-501	540002-501	- 101D and On -
5067	510021	1701 and On; 101D and On; 101E and On
5069	916003	1701 and On; 101D and On; 101E and On
5070	540003	1701 and On; 101D and On; 101E and On
5071-1	520001-1	1701 and On; 101D and On; 101E and On
5071-2	520001-2	1701 and On; 101D and On; 101E and On
5074	540004	1701 and On; 101D and On; 101E and On
5077	530005	1701 and On; 101D and On; 101E and On
5078-3	540005-3	1701 and On; 101D and On; 101E and On
5080	510022	1701 and On; 101D and On; 101E and On
5085	560044	1701 and On; 101D and On; 101E and On
5098	916004	1701 and On; 101D and On; 101E and On
5099	560013	1701 and On; 101D and On; 101E and On
5131-7	510027-7	1701 and On; 101D and On; 101E and On
5131-8	510027-8	1701 and On; 101D and On; 101E and On
5132	914003	1701 and On; 101D and On; 101E and On
5183-3	560017-3	1701 and On; 101D and On; 101E and On
5183-4	560017-4	1701 and On; 101D and On; 101E and On
5186	510029	1701 and On; 101D and On; 101E and On
5225-7	560018-7	1701-1939 - -
5225-8	560018-8	1701-1939 - -
5225-9	560018-9	1940 and On; 101D and On; 101E and On
5225-10	560018-10	1940 and On; 101D and On; 101E and On
5231-7	560024-7	1701 and On; 101D and On; 101E and On
5231-8	560024-8	1701 and On; 101D and On; 101E and On
5232	560025	1701-2072 - -
5233	560026	1701 and On; 101D and On; 101E and On
5234	560027	1701 and On; 101D and On; 101E and On
5236	560028	1701 and On; 101D and On; 101E and On
5238-1	550002-1	1701 and On; 101D and On; 101E and On
5238-2	550002-2	1701 and On; 101D and On; 101E and On
5241	560031	1701 and On; - 101E and On
5241-1	560031-1	1701 and On; - 101E and On
5241-2	560031-2	1701 and On; - 101E and On
5242	915019	1701 and On; 101D and On; 101E and On
5243	915020	1701 and On; 101D and On; 101E and On
5244	560034	1701 and On; 101D and On; 101E and On
5252	560000	1701 and On; 101D and On; 101E and On
5256-1	520005-1	1701 and On; 101D and On; 101E and On
5256-2	520005-2	1701 and On; 101D and On; 101E and On
	520006-1	Replaced 5256-1
	520006-2	Replaced 5256-2

OLD NO.	NEW NO.	FITS MODEL NUMBER
5257-1	520000-1	1701 and On; 101D and On; 101E and On
5257-2	520000-2	1701 and On; 101D and On; 101E and On
5258	510016	1701 and On; 101D and On; 101E and On
5259	510017	1701 and On; 101D and On; 101E and On
5262	914005	1701 and On; 101D and On; 101E and On
5267-7	510006-7	1701 and On; 101D and On; 101E and On
5267-9	510006-9	1701 and On; 101D and On; 101E and On
5270	914008	1801 and On; 101D and On; 101E and On
5271	913025	1801 and On; 101D and On; 101E and On
5275-7	560043-7	1940 and On; 101D and On; 101E and On
5275-9	560043-9	1940 and On; 101D and On; 101E and On
5286-501	560046-501	1701 and On; 101D and On; 101E and On
6001	650000	1701 and On; 101D and On; 101E and On
6001-11	650000-11	1701 and On; 101D and On; 101E and On
6001-13	650000-13	1701 and On; 101D and On; 101E and On
6001-15	650000-15	1701 and On; 101D and On; 101E and On
6001-17	650000-17	- - 101E and On
6001-19	650000-19	1701 and On; 101D and On -
6001-501	650000-501	- - 101E and On
6008	600004	1701 and On; 101D and On; 101E and On
6009	650001	1701 and On; 101D and On -
6009-3	650001-3	- - 101E and On
6010	600001	1701-1939; 101D and On; 101E and On
6010-1	600001-1	1940-2296; 101-200D -
6010-3	600001-3	2297-2622 - -
6014-1	650002-1	1701 and On; 101D and On -
6014-2	650002-2	1701 and On; 101D and On -
6014-3	650002-3	1701 and On; 101D and On -
6014-4	650002-4	1701 and On; 101D and On -
6014-5	650002-5	- - 101E and On
6014-6	650002-6	- - 101E and On
6014-7	650002-7	- - 101E and On
6014-8	650002-8	- - 101E and On
6015	650003	1701 and On; 101D and On; 101E and On
6019	650019	1701 and On; 101D and On; 101E and On
6021-2	600005-2	1701 and On; 101D and On; 101E and On
6035	630008	1701-1939 - -
6040	650020	1701 and On; 101D and On; 101E and On
6041-1	650006-1	1701 and On; 101D and On; 101E and On
6041-2	650006-2	1701 and On; 101D and On; 101E and On
6042-1	650021-1	1701 and On; 101D and On; 101E and On
6042-2	650021-2	1701 and On; 101D and On; 101E and On
6044	650004	1701 and On; 101D and On; 101E and On
6045-1	650022-1	1701-1940 - -
6045-11	650022-11	1940 and On; 101D and On; 101E and On
6048-11	610000-11	1717-2296 - -
6048-13	610000-13	2297-2622; 101-200D -
6048-19	610000-19	2297-2622; 101-200D -
6048-21	610000-21	2297-2622; 101-200D -
6048-25	610000-25	1701-2622; 101-200D -
6048-27	610000-27	2297-2622; 101-200D -
6048-29	610000-29	2297-2622; 101-200D -
6048-31	610000-31	2297-2622; 101-200D -
6048-33	610000-33	2297-2622; 101-200D -

EFFECTIVITY LIST

M 20 B, C, D & E



OCTOBER 15, 1963

OLD NO.	NEW NO.	FITS MODEL NUMBER
6048-37	610000-37	2297-2622; 101-200D -
6048-39	610000-39	2297-2622; 101-200D -
6060-3	650032-3	1701 and On; 101D and On -
6060-4	650032-4	1701 and On; 101D and On -
6060-501	650032-501	- - 101E and On
6060-502	650032-502	- - 101E and On
6074	650023	1701 and On; 101D and On; 101E and On
6075	610003	2297-2622; 101-200D -
6078-1	600009-1	1701 and On; 101D and On -
6082	600013	1701 and On; 101D and On -
6083	600014	1701 and On; 101D and On -
6088	600015	1701 and On; 101D and On -
6092	600018	1701 and On; 101D and On -
6101	600025	1701 and On; 101D and On -
6104-1	600027-1	1701 and On; 101D and On -
6105	600028	1701 and On; 101D and On -
6105-501	600028-501	- - 101E and On
6107-1	600029-1	1701-1741; 101D and On -
6107-2	600029-2	1742 and On; 101D and On; 101E and On
6108	600030	1701 and On; 101D and On -
6112	600032	1701 and On; 101D and On -
6114	600034	1701 and On; 101D and On -
6117	660022	1701-1939 -
6120-1	912003-1	1701 and On; 101D and On; 101E and On
6120-2	912003-2	1701 and On; 101D and On; 101E and On
6125		1701-1939 -
6131		1701-2296 -
6136-1	650007-1	1701-1939 -
6136-2	650007-2	1701 and On; 101D and On -
6136-3	650007-3	1940 and On; 101D and On -
6136-501	650005-501	- - 101E-230
6136-502	650007-502	- - 101E-230
6136-503	650007-503	- - 231E-469E
6136-504	650007-504	- - 231E-469E
6146	650008	1701 and On; 101D and On; 101E and On
6152-1	610005-1	2297-2622; 101-200D -
6156		1701-1939 -
6159	650024	1701 and On; 101D and On; 101E and On
6160	650025	1701 and On; 101D and On; 101E and On
6162-5	650037-5	1940-2622; 101D and On -
6162-501	650037-501	- - 101E and On
6162-503	650037-503	2623C and On; 201D and On -
6168-1	650039-1	1701-1939 -
6168-2	650039-2	1701-1939 -
6168-5	650039-5	1940 and On; 101D and On; 101E and On
6168-6	650039-6	1940 and On; 101D and On -
6175	600061	1701-1939 -
6178-1	600063-1	1701 and On; 101D and On -
6178-2	600063-2	1701 and On; 101D and On -
6179	600064	1701 and On; 101D and On -
6186	600066	1701 and On; 601D and On -
6190	600035	- - 101E and On
6190-2	600035-2	1701 and On; 101D and On; 101E and On
6195	600067	1701 and On; 101D and On -
6197-5	600050-5	1701 and On; 101D and On; 101E and On

OLD NO.	NEW NO.	FITS MODEL NUMBER
6202	660031	1701-1939 -- --
6203-1	620006-1	1701-1939 -- --
6211	600071	1701 and On; 101D and On
6213	600072	1701 and On; 101D and On
6219	600051	1701 and On; 101D and On; 101E and On
6223-9	620000-9	1701-2622; 101-200D --
6226	916006	1940 and On; 101D and On --
6235	600075	1701 and On; 101D and On --
6237	600053	1701 and On; 101D and On; 101E and On
6242	600039	1701 and On; 101D and On --
6243	600040	-- -- 101E and On
6246-1	600041-1	1940 and On; 101D and On; 101E and On
6252	660024	1701-1939 -- --
6254	650026	1701-1939 -- --
6255	660033	1701-1939 -- --
6257-2	650044-2	1701-1939 -- --
6257-3	640044-3	1701-1939 -- --
6257-4	640044-4	1701-1939 -- --
6257-5	640044-5	1701-1939 -- --
6259	600054	1701 and On; 101D and On; 101E and On
6261	630011	1701-1939 -- --
6272-1	650027-1	1701 and On; 101D and On; 101E and On
6272-2	650027-2	1701 and On; 101D and On; 101E and On
6363-1	630018-1	1701-1939 -- --
6364	630010	1701-1939 -- --
6373	650029	1701 and On; 101D and On --
6375	650030	1701 and On; 101D and On --
6377	650031	1701 and On; 101D and On --
6380	650013	1701-1876 -- --
6380-1	650013-1	1877-2622; 101D and On --
6381-1	650014-1	1701 and On; 101D and On --
6381-2	650014-2	1701 and On; 101D and On --
6381-501	650014-501	-- -- 101E and On
6381-502	650014-502	-- -- 101E and On
6382-3	620001-3	2623C and On; 201D and On --
6385	600082	1701-1939 -- --
6389-1	650015-1	1701-1939 -- --
6389-2	650015-2	1701-1939 -- --
6389-3	650015-3	1940 and On; 101D and On --
6389-4	650015-4	1940 and On; 101D and On --
6389-501	650015-501	-- -- 101E and On
6389-502	650015-502	-- -- 101E and On
6390	660026	1701-1939 -- --
6391	660027	1701-1939 -- --
6392	660029	1701-1939 -- --
6393	660032	1701-1939 -- --
6395	650016	1701 and On; 101D and On --
6400	630009	1701-1939 -- --
6415	600043	1701 and On; 101D and On --
6416	600044	1701 and On; 101D and On --

EFFECTIVITY LIST

M 20 B, C, D & E



OLD NO.	NEW NO.	FITS MODEL NUMBER
6420	600055	1701 and On; 101D and On; 101E and On
6438	620008	2623C and On; 201D and On; 101E and On
6452-1		2297-2622; 101-200D -
6452-2		2297-2622; 101-200D -
6456	660007	1701-2622; 101-200D -
6456-1	660007-1	1940-2622; 101-200D -
6457	600086	1701 and On; 101D and On; 101E and On
6460	610006	1701-2296 -
6469	650017	1701 and On; 101D and On -
6476	660004	1940 and On; 101D and On -
6482	650012	1940 and On; 101D and On -
6484-1	640001-1	1940 and On; 101D and On -
6484-3	640001-3	- - 101E and On
6484-5	640001-5	1940 and On; 101D and On -
6484-11	640001-11	2297 and On; 101D and On; 101E and On
6490	630001	1940 and On; 101D and On; 101E and On
6491	620003	1940-2622; 101-200D -
6491-7	620003-7	1940-2622; 101-200D -
6493	660006	1940 and On; 101D and On; 101E and On
6493-7	660006-7	1940 and On; 101D and On; 101E and On
6498-7	650018-7	2623C and On; 201D and On -
6502-13	660016-13	1940-2575; 101-200D -
6504-1	640038-1	1940 and On; 101D and On -
7018	915025	1701 and On; 101D and On; 101E and On
7021-7	850000-7	1701 and On; 101D and On; 101E and On
7021-9	850000-9	1701 and On; 101D and On; 101E and On
7021-15	850000-15	1701 and On; 101D and On; 101E and On
7021-19	850000-19	1701 and On; 101D and On; 101E and On
7021-21	850000-21	1701 and On; 101D and On; 101E and On
7021-23	850000-23	1701 and On; 101D and On; 101E and On
7021-25	850000-25	1701 and On; 101D and On; 101E and On
7021-29	850000-29	- 101D and On -
7022	914016	1701 and On; 101D and On; 101E and On
7025	913028	1701 and On; 101D and On; 101E and On
7030	710001	1701 and On; 101D and On; 101E and On
7038	740044	1701 and On; 101D and On; 101E and On
7038-503	740044-503	- 101D and On -
7042-1	914020-1	1701 and On; 101D and On; 101E and On
7042-2	914020-2	1701 and On; 101D and On; 101E and On
7042-3	914020-3	1701 and On; 101D and On; 101E and On
7042-4	914020-4	1701 and On; 101D and On; 101E and On
7042-6	914020-6	1701 and On; 101D and On; 101E and On
7042-7	914020-7	1701 and On; 101D and On; 101E and On
7042-8	914020-8	1701 and On; 101D and On; 101E and On
7042-9	914020-9	1701 and On; 101D and On; 101E and On
7042-10	914020-10	1701 and On; 101D and On; 101E and On
7042-11	914020-11	1701-1939 -
7042-12	914020-12	1701-1939 -
7042-14	914020-14	1701 and On; 101D and On; 101E and On
7042-15	914020-15	1701 and On; 101D and On; 101E and On
7042-16	914020-16	1701 and On; 101D and On; 101E and On
7042-17	914020-17	1701 and On; 101D and On; 101E and On
7042-18	914020-18	1701 and On; 101D and On; 101E and On

OLD NO.	NEW NO.	FITS MODEL NUMBER
7042-19	914020-19	1701 and On; 101D and On; 101E and On
7042-21	914020-21	1701 and On; 101D and On; 101E and On
7042-22	914020-22	1701 and On; 101D and On; 101E and On
7042-24	914020-24	1701 and On; 101D and On; 101E and On
7042-25	914020-25	1701 and On; 101D and On; 101E and On
7042-26	914020-26	1701 and On; 101D and On; 101E and On
7042-27	914020-27	1701 and On; 101D and On; 101E and On
7051	740072	1701-1939 -- --
7053	740070	1701-1750 -- --
7054	740076	1701-1939 -- --
7056	740069	1701-1750 -- --
7057-1	710005-1	1701 and On; 101D and On; 101E and On
7057-2	710005-2	1701 and On; 101D and On; 101E and On
7058	710006	1701 and On; 101D and On; 101E and On
7059	710007	1701 and On; 101D and On; 101E and On
7061	340059	1701 and On; 101D and On; 101E and On
7062-1	340060-1	1701 and On; 101D and On; 101E and On
7062-2	340060-2	1701 and On; 101D and On; 101E and On
7063-1	720002-1	1701-1939 -- --
7063-2	720002-2	1701-1939 -- --
7064	720003	1701 and On; 101D and On; 101E and On
7065-1	720004-1	1701 and On; 101D and On; 101E and On
7065-2	720004-2	1701 and On; 101D and On; 101E and On
7066	720005	1701 and On; 101D and On; 101E and On
7067	730000	1701 and On; 101D and On; 101E and On
7068		1701 and On; 101D and On; 101E and On
7069	340062	1701 and On; 101D and On; 101E and On
7073	710008	1701 and On; 101D and On; 101E and On
7074	750029	1701-1939 -- --
7075	750002	1701-1939 -- --
7076	750031	1701-1939 -- --
7079	750026	1701-1939 -- --
7084	915000	1701 and On; 101D and On; 101E and On
7085	915001	1701 and On; 101D and On; 101E and On
7097	750024	1701-1939 -- --
7098	750023	1701-1939 -- --
7099	750022	1701-1939 -- --
7100	915002	1701-1939 -- --
7101	915003	1701 and On; 101D and On; 101E and On
7114	720006	1701 and On; 101D and On; 101E and On
7116	850002	1701-1939 -- --
7122	850009	1701-1939 -- --
7123	750001	1701-1939 -- --
7125	720021	1701-1939 -- --
7132	915004	1701 and On; 101D and On; 101E and On
7137	340064	1701 and On; 101D and On; 101E and On
7138	340065	1701 and On; 101D and On; 101E and On
7150	720012	1701 and On; 101D and On; 101E and On
7210	740029	1701 and On; 101D and On; 101E and On
7216	740078	1701-1939 -- --
7217	740021	1701 and On; 101D and On; 101E and On
7218-7	740066-7	1751 and On; 101D and On; 101E and On

EFFECTIVITY LIST

M 20 B, C, D & E



OLD NO.	NEW NO.	FITS MODEL NUMBER
7218-9	740066-9	1701-1939 - -
7218-11	740066-11	1701-1939 - -
7218-13	740066-13	1701-1750 - -
7219	740065	1701-1939 - -
7220	913030	1701 and On; 101D and On; 101E and On
7221	913031	1701 and On; 101D and On; 101E and On
7222	913032	1701 and On; 101D and On; 101E and On
7223	913033	1701 and On; 101D and On; 101E and On
7224-1	915007-1	1701 and On; 101D and On; 101E and On
7224-3	915007-3	1701 and On; 101D and On; 101E and On
7224-5	915007-5	1701 and On; 101D and On; 101E and On
7224-6	915007-6	1701-1939 - -
7227		1701-1939 - -
7231-7	210116-7	1701 and On; 101D and On; 101E and On
7231-008	210116-8	1701 and On; 101D and On; 101E and On
7232-001	210117-1	1701 and On; 101D and On; 101E and On
7232-002	210117-2	1701 and On; 101D and On; 101E and On
7235	915009	1701 and On; 101D and On; 101E and On
7236-1	915010-1	2623C and On; 201D and On; 101E and On
7236-3	915010-3	1701 and On; 101D and On; 101E and On
7236-503	915010-503	1701 and On; 101D and On; 101E and On
7238	750021	1701-1939 - -
7241	915012	1701 and On; 101D and On; 101E and On
7242-1	915013-1	1701 and On; 101D and On; 101E and On
7243	915014	1701 and On; 101D and On; 101E and On
7244	915015	1701 and On; 101D and On; 101E and On
7246	915017	1701 and On; 101D and On; 101E and On
7251-7	740064-7	1701-1939 - -
7251-9	740064-9	1701-1939 - -
7251-11	740064-11	1701-1939 - -
7252-1	210118-1	1701 and On; 101D and On; 101E and On
7252-3	210118-3	1701 and On; 101D and On; 101E and On
7253	740063	1751-1939 - -
7254	740062	1701-1939 - -
7257	740061	1701-1939 - -
7262	730004	1701 and On; 101D and On; 101E and On
7263	730008	1701 and On; 101D and On; 101E and On
7270	730005	1701 and On; 101D and On; 101E and On
7271	730006	1701 and On; 101D and On; 101E and On
7272	913040	1701 and On; 101D and On; 101E and On
7281-7	915026-7	1940 and On; 101D and On; 101E and On
7281-9	915026-9	1940 and On; 101D and On; 101E and On
7281-11	915026-11	1940 and On; 101D and On; 101E and On
7281-13	915026-13	1940 and On; 101D and On; 101E and On
7281-17	915026-17	1940 and On; 101D and On; 101E and On
7281-19	915026-19	1940 and On; 101D and On; 101E and On
7294	740008	1940 and On; 101D and On; 101E and On
7296-1	740002-1	1940-2296 - -
7298	740020	2297-2622; 101-200D - -
7298-501	740020-501	2623C and On; 201D and On; 101E and On
7300-9	750000-9	1940 and On; 101D and On; 101E and On
7300-11	750000-11	1940 and On; 101D and On; 101E and On

OLD NO.	NEW NO.	FITS MODEL NUMBER
7307	750008	1940 and On; 101D and On; 101E and On
7309	850006	1940 and On; 101D and On; 101E and On
7310	750009	1940 and On; 101D and On; 101E and On
7314	750011	1940 and On; 101D and On; 101E and On
7316-7	750013-7	1940 and On; 101D and On; 101E and On
7320-1	740036-1	1940 and On - -
7324-7	740009-7	1940 and On; 101D and On; 101E and On
7329	740013	1940 and On; 101D and On; 101E and On
7330-1	720016-1	1940 and On; 101D and On; 101E and On
7330-2	720016-2	1940 and On; 101D and On; 101E and On
7332-7	720017-7	1940 and On; 101D and On; 101E and On
7333	740015	1940 and On; 101D and On; 101E and On
7339	750019	1940 and On; 101D and On; 101E and On
7343-9	340080-9	1701 and On; 101D and On; 101E and On
8021-2	914021-2	1701 and On; 101D and On; 101E and On
8022-2	914022-2	1940 and On; 101D and On; 101E and On
8022-5	914022-5	1940 and On; 101D and On; 101E and On
8026-3	914024-3	2401 and On; 101D and On; 101E and On
8026-6	914024-6	1701 and On; 101D and On; 101E and On
8033	740077	1701-1939 - -
8042-2	640006-2	1701-2208 - -
8043	640007	1701 and On; 101D and On; 101E and On
8046	640009	1701 and On; 101D and On; 101E and On
8047	640010	2297 and On; 101D and On; 101E and On
8051	550008	1701 and On; 101D and On; 101E and On
8052	550009	1701 and On; 101D and On; 101E and On
8054	550010	1701 and On; 101D and On; 101E and On
8062-9	120000-9	1701 and On; 101D and On; 101E and On
8062-10	120000-10	1701 and On; 101D and On; 101E and On
8079-1	640005-1	1701-2622; 101-200D -
8079-3	640005-3	1701-2208 - -
8079-5	640005-5	1701-2622; 101-200D -
8079-7	640005-7	1701-2622; 101-200D -
8083-2	640014-2	1701-2208 - -
8083-501	640014-501	2297-2392 - -
8083-503	640014-503	2393-2692C; 157-200D -
8083-505	640014-505	2623C and On; 201D and On; 101E and On
8098	640015	1701 and On; 101D and On; 101E and On
8107	640016	1701 and On; 101D and On; 101E and On
8108	660020	1701-1939 - -
8111-1	550015-1	1701 and On; 101D and On; 101E and On
8111-3	550015-3	1701 and On; 101D and On; 101E and On
8111-4	550015-4	1701 and On; 101D and On; 101E and On
8111-5	550015-5	1701 and On; 101D and On; 101E and On
8113	800016	1701 and On; 101D and On; 101E and On
8117-1	340067-1	1701-2296 - -
8117-2	340067-2	1701-2296 - -
8117-3	340067-3	1701-2296 - -
8117-4	340067-4	1701-2296 - -
8117-5	340067-5	2297-2622; 101D-200D -
8117-7	340067-7	2297-and On; 101D and On; 101E and On

EFFECTIVITY LIST
 M 20 B, C, D & E



OLD NO.	NEW NO.	FITS MODEL NUMBER
8117-9	340067-9	- 101D and On -
8117-10	340067-10	- 101D and On -
8117-11	340067-11	2623C and On; 201D and On; 101E and On
8122-3	120001-3	1701 and On; 101D and On; 101E and On
8122-4	120001-4	1701 and On; 101D and On; 101E and On
8122-5	120001-5	1701 and On; 101D and On; 101E and On
8122-6	120001-6	1701 and On; 101D and On; 101E and On
8125	550019	1701 and On; 101D and On; 101E and On
8126	550020	1701 and On; 101D and On; 101E and On
8129	550021	1701 and On; 101D and On; 101E and On
8130	550022	1701 and On; 101D and On; 101E and On
8133	550024	1701 and On; 101D and On; 101E and On
8136		1701-1939 - -
8146-2	340066-2	1940 and On; 101D and On; 101E and On
8146-3	340066-3	1940 and On; 101D and On; 101E and On
8146-4	340066-4	1940 and On; 101D and On; 101E and On
8146-7	340066-7	1701 and On; 101D and On; 101E and On
8146-8	340066-8	1701-1939 - -
8146-9	340066-9	1701-1939 - -
8146-10	340066-10	1701-1939 - -
8163-1	340068-1	1701 and On; 101D and On; 101E and On
8163-2	340068-2	1701 and On; 101D and On; 101E and On
8163-3	340068-3	1701 and On; 101D and On; 101E and On
8164	340072	1701 and On; 101D and On; 101E and On
8174-1	340070-1	1701 and On; 101D and On; 101E and On
8174-2	340070-2	1701 and On; 101D and On; 101E and On
8176	340071	1701 and On; 101D and On; 101E and On
8189	640018	1701 and On; 101D and On; 101E and On
8189-7	640018-7	1701 and On; 101D and On; 101E and On
8189-9	640018-9	1701 and On; 101D and On; 101E and On
8189-11	640018-11	1701 and On; 101D and On; 101E and On
8189-13	640018-13	1701 and On; 101D and On; 101E and On
8190	640019	1701 and On; 101D and On; 101E and On
8195	640024	1701 and On; 101D and On; 101E and On
8200	640026	1701 and On; 101D and On; 101E and On
8203-1	640029-1	1701 and On; 101D and On; 101E and On
8203-3	640029-3	1701 and On; 101D and On; 101E and On
8204-1	640030-1	1701-2296 - -
8204-3	640030-3	1701 and On; 101D and On; 101E and On
8204-9	640030-9	2623C and On; 201D and On; 101E and On
8204-21	640030-21	2297-2622; 101-200D -
8209-11	340078-11	1701 and On; 101D and On; 101E and On
8209-33	340078-33	2297 and On; 101D and On; 101E and On
8210-2	820046-2	1701-1939 - -
8210-8	820046-8	1701-1939 - -
8210-9	820046-9	1701-1939 - -
8222	800020	1701 and On; 101D and On; 101E and On
8222-1	800020-1	1701 and On; 101D and On; 101E and On
8222-501	800020-501	- - 101E and On
8225-1	800022-1	1701 and On; 101D and On; 101E and On
8225-2	800022-2	1701 and On; 101D and On; 101E and On
8240	340077	1701 and On; 101D and On; 101E and On
8251-1	800035-1	1701-1939 - -

OLD NO.	NEW NO.	FITS MODEL NUMBER
8254	640033	1701-2297 - -
8255	640034	1701-2392; 101-156D -
8255-501	640034-501	2393-2622; 157-200D -
8255-503	640034-503	2623C and On; 201D and On; 101E and On
8265-9	840000-9	1701 and On; 101D and On; 101E and On
8265-11	840000-11	1701 and On; 101D and On; 101E and On
8269	840005	1701 and On; 101D and On; 101E and On
8270	840006	1701 and On; 101D and On; 101E and On
8272	840008	1701 and On; 101D and On; 101E and On
8273	350102	1701 and On; 101D and On; 101E and On
8280	840033	1701 and On; 101D and On; 101E and On
8281	840010	1701 and On; 101D and On; 101E and On
8281-1	840010-1	1701 and On; 101D and On; 101E and On
8286	350109	1701 and On; 101D and On; 101E and On
8292	840014	1701 and On; 101D and On; 101E and On
8292-11	840014-11	1940 and On; 101D and On; 101E and On
8297	840019	1701 and On; 101D and On; 101E and On
8311		1701-1939 - -
8312		1701-1939 - -
8314		1701-1939 - -
8316		1701-1939 - -
8317		1701-1939 - -
8323		1701-1939 - -
8324		1701-2296 - -
8325	130025	1701-1939 - -
8326-7	130026-7	1701-2296 - -
8328		1701-2296 - -
8329		1701-2291 - -
8330		1701-2296 - -
8331		1701-1939 - -
8332		1701-1939 - -
8333		1701-1939 - -
8337		1701-1939 - -
8338		1701-1939 - -
8343	130042	1701-2296 - -
8357	913042	1701 and On; 101D and On; 101E and On
8363	840024	1701 and On; 101D and On; 101E and On
8364	840025	1701 and On; 101D and On; 101E and On
8365	840026	1701 and On; 101D and On; 101E and On
8367-1	550004-1	1701-2296
8367-2	550004-2	1701-2296
8367-501		2297 and On - 101E and On
8367-502		2297 and On - 101E and On
8370	840027	1701 and On; 101D and On; 101E and On
8371	840028	1701 and On; 101D and On; 101E and On
8372	840029	1701 and On; 101D and On; 101E and On
8373	840030	1701 and On; 101D and On; 101E and On
8374	840031	1701 and On; 101D and On; 101E and On
8393	820023	1701 and On; 101D and On; 101E and On
8505-1	340073-1	2297 and On; - 101E and On
8505-2	340073-2	2297 and On; - 101E and On
8517	820018	1701 and On; 101D and On; 101E and On
8519-7	150011-7	1701-1939 - -

EFFECTIVITY LIST

M 20 B, C, D & E



OLD NO.	NEW NO.	FITS MODEL NUMBER
8519-9	150011-9	1701-1939 - -
8519-17	150011-17	1701-1939 - -
8520		1701 and On; 101D and On; 101E and On
8522-11	150001-11	1701-1939 - -
8522-13	150001-13	1701-1939 - -
8522-19	150001-19	1701-1939 - -
8522-25	150001-25	1701 and On; 101D and On; 101E and On
8527	140036	1940 and On; 101D and On; 101E and On
8527-3	140036-3	1940 and On; 101D and On; 101E and On
8527-11	140036-11	1701-1939 - -
8531-1	120004-1	1701 and On - -
8531-2	120004-2	1701 and On - -
8532	130057	2623C and On; 201D and On; 101E and On
8532-3	130057-3	1701 and On; 101D and On; 101E and On
8537		1701 and On; - 101E and On
8538	917003	1701-1975 - -
8546-1	800001-1	1940 and On; 101D and On; 101E and On
8549-1	820001-1	2623C and On; 201D and On; 101E and On
8549-3	820001-3	2623C and On; 201D and On; 101E and On
8571	917004	1701 and On; 101D and On; 101E and On
8578-1	820004-1	1940-2622 - -
8578-9	820004-9	1940-2622 - -
8578-11	820004-11	1940-2622; 101-200D - -
8578-25	820004-25	1940-2622 - -
8584-7	913047-7	1701 and On; 101D and On; 101E and On
8584-9	913047-9	1701 and On; 101D and On; 101E and On
8584-11	913047-11	1701 and On; 101D and On; 101E and On
8584-13	913047-13	1701 and On; 101D and On; 101E and On
8584-15	913047-15	1701 and On; 101D and On; 101E and On
8584-17	913047-17	1701 and On; 101D and On; 101E and On
8590-1	550003-1	1701 and On; 101D and On; 101E and On
8590-2	550003-2	1701 and On; 101D and On; 101E and On
8614-7	610012-7	1701 and On; 101D and On; 101E and On
8614-9	610012-9	1701 and On; 101D and On; 101E and On
8614-11	610012-11	1701 and On; 101D and On; 101E and On
8614-12	610012-12	1701-1939 - -
8651	550007	1701 and On; 101D and On; 101E and On
8667-1	820005-1	1940-2135 - -
8667-501	820005-501	2136-2622; 101-200D - -
8671-7	130056-7	1940-2296 - -
8671-8	130056-8	1940-2296 - -
8671-9	130056-9	1940-2296 - -
8671-10	130056-10	1940-2296 - -
8671-12	130056-12	1940-2296 - -
8671-13	130056-13	1940-2296 - -
8671-14	130056-14	1940-2296 - -
8671-15	130056-15	1940-2296 - -
8671-16	130056-16	1940-2296 - -
8671-17	130056-17	1940-2296 - -
8671-18	130056-18	1940-2296 - -
8671-20	130056-20	1940-2296 - -
8671-21	130056-21	1940-2296 - -

OLD NO.	NEW NO.	FITS MODEL NUMBER		
8671-22	130056-22	1940-2296	-	-
8691-1	820026-1	1940-2622	-	-
8691-3	820026-3	1940 and On	-	101E and On
8691-501	820026-501	2623C and On; 201D and On; 101E and On	-	-
8704-3	120003-3	1940-2296	-	-
8704-4	120003-4	1940-2296	-	-
8704-5	120003-5	2297 and On; 101D and On	-	-
8704-6	120003-6	2297 and On; 101D and On; 101E and On	-	-
8705-7	150000-7	1940-2622	-	-
8705-9	150000-9	1940-2622; 101-200D	-	-
8705-11	150000-11	1940-2342	-	-
8705-13	150000-13	1940 and On; 101D and On; 101E and On	-	-
8705-15	150000-15	1940 and On; 101D and On; 101E and On	-	-
8705-17	150000-17	1940-2622; 101-200D	-	-
8705-19	150000-19	1940 and On; 101D and On; 101E and On	-	-
8705-21	150000-21	1940 and On	-	101E and On
8705-23	150000-23	1940 and On; 101D and On; 101E and On	-	-
8705-27	150000-27	1940 and On; 101D and On; 101E and On	-	-
8705-31	150000-31	1940 and On; 101D and On	-	-
8705-37	150000-37	2343-2622	-	-
8719	950027	1701 and On; 101D and On; 101E and On	-	-
8722	820030	1940 and On; 101D and On; 101E and On	-	-
8722-7	820030-7	2623C and On; 201D and On; 101E and On	-	-
8730-1	913000-1	1976 and On; 101D and On; 101E and On	-	-
8730-1	913000-1	2076-2296	Replaced by 8730-501	-
8730-501	913000-501	2297 and On; 101D and On; 101E and On	-	-
120006-1		-	-	101E and On
120006-2		-	-	101E and On
120006-501		-	-	101E and On
120007		-	-	101E and On
120007-3		-	-	101E and On
120007-4		-	-	101E and On
120007-5		-	-	101E and On
120007-6		-	-	101E and On
120007-7		-	-	101E and On
120007-8		-	-	101E and On
120007-9		-	-	101E and On
120007-10		-	-	101E and On
120007-11		-	-	101E and On
120007-12		-	-	101E and On
130059		2297-2622	-	-
130059-7		2297-2622	-	-
130059-8		2297-2622	-	-
130059-9		2297-2622	-	-
130059-10		2297-2622; 101-200D	-	-
130059-12		2297-2622	-	-
130059-14		2297-2622	-	-
130059-15		2297-2622	-	-
130059-16		2297-2622	-	-
130059-17		2297-2622	-	-
130059-18		2297-2622	-	-
130059-20		2297-2622	-	-

EFFECTIVITY LIST

M 20 B, C, D & E



OLD NO.	NEW NO.	FITS MODEL NUMBER
130059-22		2297-2622 - -
130059-23		2297-2622 - -
130059-24		2297-2622 - -
130059-27		2297-2622 - -
130059-29		2297-2622 - -
130060-3		2297 and On; 101D and On; 101E and On
130061-3		2297 and On; 101D and On; 101E and On
130061-5		2297 and On; 101D and On; 101E and On
130062-3		2297 and On; - 101E and On
130063-5		2297-2622 - -
130064		- 101-200D -
130064-7		- 101-200D -
130064-8		- 101-200D -
130064-9		- 101-200D -
130064-13		- 101-200D -
130064-14		- 101-200D -
130064-15		- 101-200D -
130064-16		- 101-200D -
130064-17		- 101-200D -
130064-18		- 101-200D -
130064-20		- 101-200D -
130064-21		- 101-200D -
130064-22		- 101-200D -
130064-27		- 101-200D -
130064-29		- 101-200D -
130067-5		2297 and On; 101D and On; 101E and On
130067-7		2297 and On; 101D and On; 101E and On
130067-9		2297 and On; 101D and On; 101E and On
130067-11		2297 and On; 101D and On; 101E and On
130070-3		2623C and On; 201D and On -
130070-5		2623C and On; 201D and On -
130070-7		2623C and On - 101E and On
130070-9		2623C and On; 201D and On -
130070-11		2623C and On; - 101E and On
130070-13		2623C and On; 201D and On; 101E and On
130070-15		2623C and On; 201D and On -
130070-17		2623C and On; 201D and On -
130070-19		2623C and On; 201D and On; 101E and On
130070-21		2623C and On; 201D and On -
130070-23		2623C and On; 201D and On; 101E and On
130070-25		2297 and On; 101D and On; 101E and On
130070-27		2623C and On; - 101E and On
130070-29		2623C and On; 201D and On; 101E and On
130070-31		2623C and On; 201D and On; 101E and On
130070-33		2623C and On; - 101E and On
130070-35		2623C and On; 201D and On; 101E and On
130070-37		2623C and On; 201D and On; 101E and On
130070-39		2623C and On; 201D and On; 101E and On
130070-41		- 201D and On -
130070-43		2623C and On; 201D and On; 101E and On
130070-45		2623C and On; 201D and On -
130070-47		2623C and On; 201D and On -

OLD NO.	NEW NO.	FITS MODEL NUMBER
130070-49		2623C and On; 201D and On --
130070-51		2623C and On; 201D and On --
130070-53		2623C and On; 201D and On --
130070-57		-- 201D and On --
130070-59		2623C and On; 201D and On; 101E and On
130070-61		-- -- 101E and On
130070-63		-- -- 101E and On
130070-65		-- -- 101E and On
130070-67		-- -- 101E and On
130070-69		-- -- 101E and On
130070-71		-- -- 101E and On
130070-73		-- -- 101E and On
130070-75		-- -- 101E and On
130070-77		-- -- 101E and On
130070-79		-- -- 101E and On
130070-81		-- -- 101E and On
130070-83		-- -- 101E and On
130073-1		2623C and On; 201D and On; 101E and On
130073-9		2623C and On; 201D and On; 101E and On
130074-1		2623C and On; -- 101E and On
140040-1		2297-2622; 101-200D --
140040-3		2297 and On; 101D and On; 101E and On
140040-501		2623C and On; 201D and On; 101E and On
140041-5		2297 and On; 101D and On; 101E and On
140042-3		1701 and On; 101D and On; 101E and On
140044-1		2297-2622; 101-200D --
140046-5		2297 and On; 101D and On; 101E and On
140049-1		2297-2622; 101-200D --
140049-501		2623C and On; 201D and On; 101E and On
140050-3		2297 and On; 101D and On; 101E and On
140055-3		2297 and On; 101D and On; 101E and On
140056-3		2297 and On; 101D and On; 101E and On
140057-3		2297 and On; 101D and On; 101E and On
140061-9		2297 and On; 101D and On; 101E and On
140078		2623C and On; 101D and On; 101E and On
150008		2297 and On -- --
150008-3		2297-2622 -- --
150008-4		2297-2622 -- --
150008-5		2623C and On -- --
150008-6		2623C and On -- --
150008-7		2297-2622 -- --
150008-8		2623C and On -- --
150008-9		2297-2622 -- --
150008-10		2297-2622 -- --
150008-11		2623C and On -- --
150008-12		2623C and On -- --
150008-13		2297-2622 -- --
150008-14		2623C and On -- --
150008-15		2297-2622 -- --
150008-16		2297-2622 -- --
150008-17		2623C and On -- --
150008-18		2623C and On -- --

EFFECTIVITY LIST

M 20 B, C, D & E



OLD NO.	NEW NO.	FITS MODEL NUMBER
150008-19		2297-2622 -- --
150008-20		2623C and On -- --
150008-21		2297-2622 -- --
150008-22		2297-2622 -- --
150008-23		2623C and On -- --
150008-24		2623C and On -- --
150008-25		2297-2622 -- --
150008-26		2297-2622 -- --
150008-27		2623C and On -- --
150008-28		2623C and On -- --
150008-29		2297-2622 -- --
150008-30		2297-2622 -- --
150008-31		2623C and On -- --
150008-32		2623C and On -- --
150008-33		2297-2622 -- --
150008-34		2297-2622 -- --
150008-35		2623C and On -- --
150008-36		2623C and On -- --
150008-37		2297-2622 -- --
150008-38		2297-2622 -- --
150008-39		2623C and On -- --
150008-40		2623C and On -- --
150008-41		2297-2622 -- --
150008-42		2623C and On -- --
150008-43		2297-2622 -- --
150008-44		2623C and On -- --
150010-3		1701 and On; 101D and On; 101E and On
150010-5		1701 and On; 101D and On; 101E and On
150010-7		1701 and On; 101D and On; 101E and On
150010-9		1701 and On; 101D and On; 101E and On
150010-11		1701-2622; 101-200D --
150010-13		2321 and On; 101D and On; 101E and On
150010-15		-- 101-200D --
150010-17		-- 101D and On --
150010-19		1940 and On; 101D and On; 101E and On
150010-23		1940 and On; 101D and On; 101E and On
150010-25		1940 and On; 101D and On; 101E and On
150010-29		1701 and On; 101D and On; 101E and On
150010-31		1701 and On; 101D and On; 101E and On
150010-33		1701 and On; -- 101E and On
150010-35		1940-2622; 101-200D --
150010-37		1701 and On; -- 101E and On
150010-41		2623C and On; 201D and On; 101E and On
150010-45		2623C and On; 201D and On; 101E and On
150010-47		1701 and On; 101D and On; 101E and On
150010-49		2297 and On; -- 101E and On
150010-51		-- -- 101E and On
150015-3		-- -- 101E and On
150015-5		2623C and On; 201D and On --
150016-3		2623C and On; -- 101E and On
150016-5		-- 201D and On --
150018		-- -- 101-230E
210126-3		2073C and On; 101D and On; 101E and On

OLD NO.	NEW NO.	FITS MODEL NUMBER
210144-1		2691 and On; -- 264E and On
210144-501		2691 and On; -- 264E and On
310146-5		2297 and On; 201D and On; 101E and On
320003-1		-- 101D and On --
340085-3		2297-and On; 101D and On; 101E and On
350112-1		2297 and On; -- 101E and On
350112-7		2297 and On; -- 101E and On
350113-3		2297 and On; -- 101E and On
350114-3		2297 and On; -- 101E and On
350115-3		2297 and On; -- 101E and On
350118-3		1940 and On; -- 101E and On
520008-1		-- 101D and On --
520008-2		-- 101D and On --
520008-3		-- 101D and On --
520008-4		-- 101D and On --
520008-5		-- 101D and On --
520008-6		-- 101D and On --
540006-3		-- 101D and On --
540006-5		-- 101D and On --
540006-15		-- 101D and On --
540006-17		-- 101D and On --
540006-21		-- 101D and On --
540006-23		-- 101D and On --
600102-3		1852 and On; 101D and On; 101E and On
600115-3		-- -- 101E and On
600118-3		-- -- 101E and On
600118-5		-- -- 101E and On
600118-7		-- -- 101E and On
600118-11		-- -- 101E and On
600118-13		-- -- 101E and On
600118-15		-- -- 101E and On
600118-17		-- -- 101E and On
600118-19		-- -- 101E and On
600118-21		-- -- 101E and On
600118-25		-- -- 101E and On
600118-33		-- -- 101E and On
600127-1		-- -- 101E and On
600127-2		-- -- 101E and On
600127-9		-- -- 101E and On
600127-15		-- -- 101E and On
600127-17		-- -- 101E and On
600131-1		-- -- 101E and On
600132-1		-- -- 101E and On
600133-7		-- -- 101E and On
600133-9		-- -- 101E and On
600133-11		-- -- 101E and On
600134-1		-- -- 101E and On
600135-1		-- -- 101E and On
600136-1		-- -- 101E and On
600138-1		-- -- 101E and On
600139-1		2623C and On; 201D and On --

EFFECTIVITY LIST

M 20 B, C, D & E



OCTOBER 15, 1963

OLD NO.	NEW NO.	FITS MODEL NUMBER
600139-501	-	101E and On
600140-1	2623C and On; 201D and On;	101E and On
600142-3	-	101E and On
610013-1	2623C and On; 201D and On	-
610013-501	-	101E and On
610013-503	-	101E and On
610016-3	2297-2622; 101-200D	-
610032-3	2623C and On; 201D and On;	101E and On
610034-3	2623C and On; 201D and On;	101E and On
610034-5	2623C and On; 201D and On;	101E and On
610034-7	2623C and On; 201D and On;	101E and On
610034-9	2623C and On; 101D and On;	101E and On
610034-11	-	101E and On
610034-17	-	101E and On
610034-19	-	101E and On
610034-21	2623C and On; 201D and On	-
610034-27	2623C and On; 201D and On;	101E and On
610034-29	2623C and On; 201D and On;	101E and On
610034-31	2623C and On; 201D and On;	101E and On
610035	2623C and On; 201D and On;	101E and On
610035-3	2623C and On; 201D and On;	101E and On
610036-3	-	101E and On
610036-9	-	101E and On
610036-11	-	101E and On
610036-501	2623C and On; 201D and On;	101E and On
610041-1	-	101E and On
620013-3	2623C and On; 201D and On;	101E and On
620013-5	2623C and On; 201D and On;	101E and On
620014	-	101E and On
620014-3	-	101E and On
620015-1	-	101E and On
620016	-	101E and On
620017	-	101E and On
630021-3	-	101E and On
640040-1	2297-2693; 101-201D;	102-230E
640040-501	2694C and On; 202D and On;	2313 and On
640041-3	2297-2622; 101-200D	-
640041-5	2297-2622; 101-200D	-
640041-7	2297-2622; 101-200D	-
640041-9	2297-2392; 101-156D	-
640042-3	2297 and On; 101D and On;	101E and On
640042-5	2297-2622	-
640047-1	-	101E and On
640047-11	-	101E and On
640047-13	-	101E and On
640047-501	-	101E and On
640048-1	2623C and On; 201D and On;	101E and On
640048-501	2623C and On; 201D and On;	101E and On
650046	-	101E and On
650046-3	-	101E and On
650047-1	-	101E and On
650049	-	101E and On

OLD NO.	NEW NO.	FITS MODEL NUMBER
660011-1		1940C and On -
660011-3		- 101E and On
660012-1		1940C and On; 101D and On -
660013-1		1940C-2622; 101D-200D -
660013-501		2623-2656 -
660013-503		2657C and On; 201D and On -
660014-3		1940C and On; 101D and On -
660057-3		- - 101E-230E
660057-501		- - 231E and On
660063-3		- - 101E and On
660019		2401 and On; 101-200D; 101E and On
660019-3		2401 and On; 101-200D; 101E and On
660051-3		1940-2622; 101-200D -
660051-3		2576 and On; 191D and On; 101E and On
660052-3		2623C and On; 101D and On; 101E and On
660052-5		2623C and On; 101D and On; 101E and On
710013-3		2201 and On; 101D and On; 101E and On
740050-1		2297-2622; 101-200D -
740054-3		2297-2622; 101-200D; 101E and On
740054-501		2623C and On; 201D and On; 101E and On
740085-1		2623C and On; 201D and On; 101E and On
800045-3		2297 and On; - 101E and On
800045-5		- - 101E and On
800045-9		- - 101E and On
800045-11		- - 101E and On
800046-1		- - 101E and On
810001-3		2297 and On; 101D and On; 101E and On
820000-1		1701 and On - 101E and On
820007-1		1701 and On - 101E and On
820008-1		1701 and On - 101E and On
820009-501		1701 and On - 101E and On
820010-505		1701 and On - 101E and On
820061-1		2623C and On -
820061-501		- 201D and On -
820061-503		- - 101E and On
820038-3		- 101D and On -
820062-505		- - 101E and On
820062-507		2623C and On -
820062-509		- 201D and On -
820063-7		2623C and On; 201D and On; 101E and On
820063-9		- 201D and On -
820063-11		2623C and On; 201D and On; 101E and On
820064-3		2623C and On; - 101E and On
820064-5		- 201D and On -
850011-1		2623C and On; 201D and On; 101E and On
850011-5		2623C and On; 101D and On; 101E and On
850011-9		2623C and On; 201D and On; 101E and On
850011-15		2623C and On; 201D and On; 101E and On
912007-1		2623C and On; 201D and On; 101E and On
912007-501		2623C and On; 201D and On; 101E and On
912007-503		2623C and On; 201D and On; 101E and On
912007-505		2623C and On; 201D and On; 101E and On
912007-509		2623C and On; 201D and On; 101E and On
912007-511		2623C and On; 201D and On; 101E and On
913052-7		- - 101E and On
914037-3		1701 and On; 101D and On; 101E and On
914038-3		1701 and On; 101D and On; 101E and On
950085-3		1940 and On; 101D and On; 101E and On
950085-5		1940 and On; 101D and On; 101E and On
950085-7		1940 and On; 101D and On; 101E and On
950085-9		1940 and On; 101D and On; 101E and On

EFFECTIVITY LIST

M 20 B, C, D & E



PART NO.	DESCRIPTION	FITS MODEL NUMBER
C-112-53	ASH TRAY	1701 and On; 101D and On; 101E and On
R-35	BATTERY	1701 and On; 101D and On; 101E and On
B-45	BEARING	1701 and On; 101D and On; 101E and On
B-47	BEARING	1701 and On; 101D and On; 101E and On
B-57	BEARING	1701 and On; 101D and On; 101E and On
B-66	BEARING	1701 and On; 101D and On; 101E and On
B-68	BEARING	1701 and On; 101D and On; 101E and On
B-610	BEARING	1701 and On; 101D and On; 101E and On
LS-3	BEARING	1701 and On; 101D and On; 101E and On
PN-4-A	BEARING	1701 and On; 101D and On; 101E and On
13889	BEARING CONE	1701 and On; 101D and On; 101E and On
13836	BEARING CONE	1701 and On; 101D and On; 101E and On
F31-14A	BEARING, Heim	1701 and On; 101D and On; 101E and On
F34-14L	BEARING, Heim	1701 and On; 101D and On; 101E and On
F35-14	BEARING, Heim	1701 and On; 101D and On; 101E and On
F44-14S	BEARING, Heim	1701 and On; 101D and On; 101E and On
HF-3M	BEARING, Heim	2623-2622; 201D and On; 101E and On
M34-14E	BEARING, Heim	1701 and On; 101D and On; 101E and On
5543	BEARING, Nice	1701 and On; 101D and On; 101E and On
60886	BELT, Generator	1701 and On; 101D and On; 101E and On
M75M6-B21-T31	BELT, Safety	2297 and On; 101D and On; 101E and On
M7500	BELT, Safety	1701 and On; 101D and On; 101E and On
2224	BOLT, Hartzell	1940 and On; 101-200D; 101E and On
A2111	BOLT, McCauley	1701-2622; 201D and On
TC-117	BRACKET, Microphone	1701 and On; 101D and On; 101E and On
35-200 (30-5)	BRAKE ASSY.	1940 and On; 101D and On; 101E and On
27-111 (164-1)	BRAKE DISC ASSY.	1701 and On; 101D and On; 101E and On
2350 (109-250-101)	BREAKER, Circuit	1701 and On; 101D and On; 101E and On
PSM-2N	BREAKER, Circuit	1701 and On; 101D and On; 101E and On
PSM-5N	BREAKER, Circuit	1701 and On; 101D and On; 101E and On
PSM-10N	BREAKER, Circuit	1701 and On; 101D and On; 101E and On
PSM-35N	BREAKER, Circuit	1701-1939
D7270-5-5	BREAKER, Circuit	1940 and On; 101D and On; 101E and On
D7270-5-10	BREAKER, Circuit	2623C and On; 201D and On; 101E and On
D7270-5-20	BREAKER, Circuit	2623C and On; 201D and On; 101E and On
GE330	BULB, Compass Light	1701 and On; 101D and On; 101E and On
83B1310-117	BULB, Fuel Selector Light	1701 and On; 101D and On; 101E and On
GE1813	BULB, Gear War. Light	1701 and On; 101D and On; 101E and On
GE89	BULB, Interior	1701 and On; 101D and On; 101E and On
GE1512	BULB, Navigation Light	1701 and On; 101D and On; 101E and On
A7079	BULB, Rot. Beacon (O.E.)	
GE93	BULB, Tail Light	1701 and On; 101D and On; 101E and On
65-32	BUSHING	1701-1939
37-206	BUSHING, Bleeder	1701 and On; 101D and On; 101E and On
28965	CABLE ASSY., Autopilot (O.E.)	
183-1	CAP, Bleeder	1940 and On; 101D and On; 101E and On
5010	CAP, Gas	1701 and On; 101D and On; 101E and On
385-20A (158-2)	CAP, Hub	1701 and On; 101D and On; 101E and On
FC-147-100	CAP, Swiss Electro	101E and On
O32B	CASING (53'')	2623C and On; 201D and On; 101 and On

PART NO.	DESCRIPTION	FITS MODEL NUMBER
Q32B	CASING (73'')	1940 and On; 101D and On; 101E and On
NT-141	CASING NUT	2623C and On; 101D and On; 101E and On
A2982A-10-27	CLAMP	1701 and On; 101D and On; 101E and On
A30114-2H	CLAMP	1701 and On; 101D and On; 101E and On
A30114-3-179	CLAMP	1701 and On; 101D and On; 101E and On
A30114-4A-179	CLAMP	1701 and On; 101D and On; 101E and On
MS21919-DG-2	CLAMP	1701 and On; 101D and On; 101E and On
MS21919-DG-4	CLAMP	1701 and On; 101D and On; 101E and On
MS21919-DG-8	CLAMP	1940 and On; 101D and On; 101E and On
MS21919-DG-9	CLAMP	1701 and On; 101D and On; 101E and On
MS21919-DG-12	CLAMP	1701 and On; 101D and On; 101E and On
MS21919-G6	CLAMP	1940 and On; 101D and On; 101E and On
MS21919-G-14	CLAMP	101E and On
QS100-M8	CLAMP	1701 and On; 101D and On; 101E and On
QS100-M10	CLAMP	1701 and On; 101D and On; 101E and On
QS100-M24	CLAMP	1701 and On; 101D and On; 101E and On
QS100-M36	CLAMP	1701 and On; 101D and On; 101E and On
186-8A	CLAMP	1701 and On; 101D and On; 101E and On
442A-2-3-6	CLAMP	1701 and On; 101D and On; 101E and On
795-4	CLAMP	1701 and On; 101D and On; 101E and On
795-E5	CLAMP	1701 and On; 101D and On; 101E and On
795-E5-R	CLAMP	1701 and On; 101D and On; 101E and On
A-11	CLOCK	1701-1939
A11-90	CLOCK	1940 and On; 101D and On; 101E and On
22-166-01	CLUSTER GAUGE	1940-2622; 101-200D
22-166-05-A	CLUSTER GAUGE	2623-2656C
22-166-010	CLUSTER GAUGE	2657C and On; 202D and On
22-166-04-A	CLUSTER GAUGE	104-230E
22-166-09	CLUSTER GAUGE	231E and On
C-2350-DL-4VF	COMPASS	1701 and On; 101D and On; 101E and On
21-006-93	CONTROL, Alt. Air	101E and On
361-032-502	CONTROL, Cabin Cooling	1701 and On; 101D and On; 101E and On
64-032-144	CONTROL, Cabin Heat	1701-1939
H&E1000-7	CONTROL, Cabin Heat	1940-2622; 101-200D
653-032-11	CONTROL, Cabin Heat	2623C and On; 201D and On; 101E and On
64-032-145	CONTROL, Cabin Vent	1701-1939
H&E1000-8	CONTROL, Cabin Vent	1940-2622; 101-200D
653-032-12	CONTROL, Cabin Vent	2623C and On; 201D and On; 101E and On
W-37-2	CONTROL CABLE (57'')	2623C and On; 201D and On; 101E and On
W-37-2	CONTROL CABLE (76'')	2623C and On; 201D and On; 101E and On
64-032-143	CONTROL, Carb. Heat	1701-1939
H&E1001-6	CONTROL, Carb. Heat	1940-2622; 101-200D
21-006-90	CONTROL, Carb. Heat	2623C and On; 201D and On
F21023-23	CONTROL, Cowl Flaps	1701-1939
H&E1001-9	CONTROL, Cowl Flaps	1940-2622; 101-200D
21-006-91	CONTROL, Cowl Flaps	2623C and On; 201D and On
21-006-94	CONTROL, Cowl Flaps	101E and On
H&E1005	CONTROL, Flap Release	1940-2622; 101-200D
64-032-138	CONTROL, Master Switch	1701-1939
64-032-139	CONTROL, Mixture	1701-1939
H&E1001-2	CONTROL, Mixture	1940-2622; 101-200D
21-006-89	CONTROL, Mixture	2623C and On; 201D and On

EFFECTIVITY LIST
M 20 B, C, D & E



PART NO.	DESCRIPTION	FITS MODEL NUMBER
345-001-10	CONTROL, Mixture	101E and On
64-032-140	CONTROL, Parking Brake	1701-1939
H&E1000-3	CONTROL, Parking Brake	1940-2622; 101-200D
653-032-10	CONTROL, Parking Brake	2623C and On; 201D and On; 101E and On
345-001-10	CONTROL, Prop. Gov.	1701-1939
H&E1003-451	CONTROL, Prop. Gov.	1940-2622; 101-200D
345-001-104	CONTROL, Prop. Gov.	2623C and On; 201D and On; 101E and On
345-001-09	CONTROL, Throttle	1701-1939
H&E1002-401	CONTROL, Throttle	1940-2622; 101-200D
253-001-1	CONTROL, Throttle	2623C and On; 201D and On
253-001-2	CONTROL, Throttle	101E and On
D131 (D227-1)	CONTROL, Western	1701 and On; 101D and On; 101E and On
27-121 (156-1)	COVER, Dust	1701 and On; 101D and On; 101E and On
SS48192	COVER, Hole	1701 and On; 101D and On; 101E and On
SS50662	COVER, Hole	2623C and On; 201D and On; 101E and On
F391	CUP, Fuel Sampler	1701 and On; 101D and On; 101E and On
35-201 (61-2)	CYLINDER	1701 and On; 101D and On; 101E and On
H&E625	CYLINDER, Hydraulic	1940 and On; 101D and On; 101E and On
VI-15-625	CYLINDER, Master	1701 and On; 101D and On; 101E and On
27-111	DISC ASSY., Brake	1701 and On; 101D and On; 101E and On
3CRE-714	DISC, Shock	1701 and On; 101D and On; 101E and On
27-121	DUST SHIELD	1701 and On; 101D and On; 101E and On
0-360-A1D	ENGINE, Lycoming	1701 and On; 101-200D; 101E and On
0-360-A2D	ENGINE, Lycoming	201D and On
IO-360-A1A	ENGINE, Lycoming	101E and On
H&W637	EXHAUST ASSY.	1940 and On; 101D and On
MC1-106E	EXHAUST PROBE	101E and On
850-9	EXHAUST STACK (#3)	101E and On
850-14	EXHAUST STACK (#2)	101E and On
850-18	EXHAUST STACK (#1)	101E and On
850-20	EXHAUST STACK (#4)	101E and On
H&W850-1	EXHAUST SYSTEM	101E and On
637-11	EXHAUST TUBE-3	1940 and On; 101D and On
637-12	EXHAUST TUBE-1	1940 and On; 101D and On
637-13	EXHAUST TUBE-2	1940 and On; 101D and On
637-14	EXHAUST TUBE-4	1940 and On; 101D and On
H&W637-35	EXTENSION, Exhaust	1940 and On; 101D and On
D227-1	FASTENER	1701 and On; 101D and On; 101E and On
54-225	FASTENER	1701 and On; 101D and On; 101E and On
13219	FILTER, Air Maze	1701 and On; 101D and On
4065	FILTER, Panel Assy.	101E and On
15001-1	FITTING, Grease	1701 and On; 101D and On; 101E and On
15001-4	FITTING, Grease	1701 and On; 101D and On; 101E and On
46604-4	FITTING, Grease	1701 and On; 101D and On; 101E and On
60x2	FITTING	1701 and On; 101D and On; 101E and On
61x2	FITTING	1701 and On; 101D and On; 101E and On
68x2	FITTING	1701 and On; 101D and On; 101E and On
68x3	FITTING	1701 and On; 101D and On; 101E and On
69x2	FITTING	1701 and On; 101D and On; 101E and On
69x3	FITTING	1701 and On; 101D and On; 101E and On
3326x4	FITTING	1701 and On; 101D and On; 101E and On

PART NO.	DESCRIPTION	FITS MODEL NUMBER
3328x4	FITTING	1701 and On; 101D and On; 101E and On
3500x4	FITTING	1701 and On; 101D and On; 101E and On
3700x4	FITTING	1701 and On; 101D and On; 101E and On
RSA-5ADI	FUEL INJECTOR	101E and On
10AMP31101Q	FUSE & RETAINER	1940 and On; 101D and On; 101E and On
10AMP31101Q	FUSE & RETAINER	1940 and On; 101D and On; 101E and On
2"	GASCOLATOR, EZ Drain	1701 and On; 101D and On; 101E and On
36050	GASKET, Air Maze	1701-1939
66224	GASKET, Carburetor	1701 and On; 101D and On; 101E and On
21323	GASKET, Carb. Intake Box	1701 and On; 101D and On; 101E and On
60734	GASKET, Crankshaft	1701 and On; 101D and On; 101E and On
65321	GASKET, Exhaust	1940 and On; 101D and On
60096	GASKET, Fuel Pump	1701 and On; 101D and On; 101E and On
60131	GASKET, Intake Manifold	1701 and On; 101D and On; 101E and On
45663	GASKET, Magneto	1701 and On; 101D and On; 101E and On
60895	GASKET, Oil Filler Neck	1701 and On; 101D and On; 101E and On
61246	GASKET, Rocker Cover	1701 and On; 101D and On; 101E and On
49B522D	GAUGE, Cylinder Temp.	1701-1939
1518865	GAUGE, Fuel	1701-1939
1508360	GAUGE, Fuel Pressure	1701-1939
AC5642354	GAUGE, Fuel Quantity	1701 and On; 101D and On; 101E and On
AC5641991	GAUGE, Fuel Quantity	1701 and On; 101D and On; 101E and On
AC1508359	GAUGE, Oil Pressure	1701-1939
AC1513106	GAUGE, Oil Temp.	1701-1939
1925-1M-A1	GAUGE, Man. Pres.	1701-1939
22-260-04	GAUGE, Man. Pres.	1940 and On; 101D and On
22-469-01-A	GAUGE, Man. Pres.	101E and On
0-10	GAUGE, Suction	1701-1939
840	GAUGE, Voltmeter	1701-1939
H1612L	GEAR, Boston	1701 and On; 101D and On; 101E and On
H1624L	GEAR, Boston	1701 and On; 101D and On; 101E and On
1101915	GENERATOR	1701 and On; 101D and On; 101E and On
B-210-345	GOVERNOR, Woodward	1701-1939
D-1-6	GOVERNOR, Hartzell	1940-2400; 101-200D
B-210-452	GOVERNOR, Woodward	2401-2622
D-1-6	GOVERNOR, Hartzell	2623C and On; 101E and On
4002-N	GROMMET	1701 and On; 101D and On
JH6500	GYRO, Art. Horizon	1701-1939
23-1276-04	GYRO, Art. Horizon	1940-2622; 101-200D
22-1276-04	GYRO, Art. Horizon	2623C and On; 101D and On; 101E and On
JH5500	GYRO, Directional	1701-1939
23-600-01	GYRO, Directional	1940 and On; 101D and On; 101E and On
3665490	HANDLE, Seat Adj.	1701-2296
319	HORN, Gear Warning	1701 and On; 101E and On
MS28741-3-19	HOSE, Flex	101E and On
MS28741-3-45½	HOSE, Flex	101E and On
SF111-312-312-3-15	HOSE, Flex	1701 and On; 101D and On; 101E and On
SF111-312-312-4-12	HOSE, Flex	1940 and On; 101D and On; 101E and On

EFFECTIVITY LIST
M 20 B, C, D & E



PART NO.	DESCRIPTION	FITS MODEL NUMBER
SF111-312-312-4-27	HOSE, Flex	1940 and On; 101D and On; 101E and On
SF111-312-312-4-34	HOSE, Flex	1701 and On; 101D and On; 101E and On
SF111-312-312-6-9 3/8	HOSE, Flex	1701-2622; 101-200D
SF111-312-312-6-11	HOSE, Flex	1701 and On; 101D and On; 101E and On
SF111-312-312-6-13	HOSE, Flex	1701 and On; 101D and On; 101E and On
SF111-312-312-8-55	HOSE, Flex	1701 and On; 101D and On; 101E and On
SF111-312-312-8-55	HOSE, Flex	1701 and On; 101D and On
SF111-312-649-6-10 1/2	HOSE, Flex	1701-2622; 101-200D
SF111-312-649-6-14	HOSE, Flex	1701-2622; 101-200D
SF111-312-649-8D-50	HOSE, Flex	1701 and On; 101D and On; 101E and On
SF111-312-649-8D-53	HOSE, Flex	101E and On
SF193-311-311-2-35	HOSE, Flex	1701-2622; 101-200D
SF193-311-311-6-20	HOSE, Flex	1940 and On; 101D and On; 101E and On
AW2 3/4-16X	INDICATOR, Airspeed	1701-1939
22-694-04	INDICATOR, Airspeed	1940 and On; 101-200D; 101E and On
22-694-02	INDICATOR, Airspeed	201D and On
671BK-900C	INDICATOR, Altimeter	1701-1939
22-985-01	INDICATOR, Altimeter	1940 and On; 101D and On; 101E and On
22-377-02-A	INDICATOR, Altimeter	1701 and On; 101D and On; 101E and On
1636-6A-A1	INDICATOR, Rate of Climb	1701-1939
22-230-01	INDICATOR, Rate of Climb	1940 and On; 101D and On; 101E and On
G993-01-1A	INDICATOR, Rate of Climb	2623C and On; 201D and On; 101E and On
B1	INDICATOR, Turn & Bank	1701-1939
23-330-01	INDICATOR, Turn & Bank	1940 and On; 101D and On; 101E and On
23-330-04	INDICATOR, Turn & Bank	2623C and On; 201D and On; 101E and On
164-R(C-4600-R)	INDICATOR, Stall War. Sys.	1701 and On; 101D and On; 101E and On
C-11	JACK, Headphone	1701-2622; 101-200D
C-12B	JACK, Microphone	1701-2622; 101-200D
J-62	JOINT, Universal	1701 and On; 101D and On; 101E and On
MS20270-B8	JOINT, Universal	1940 and On; 101D and On; 101E and On
366	KNOB, Pointer	1701 and On; 101D and On; 101E and On
3-4868	KNOB, Step Handle	1701 and On; 101D and On; 101E and On
2228	KNOB, Vent	1701 and On; 101D and On; 101E and On
A2130	LENS, Clear	1701 and On; 101D and On; 101E and On
A3551	LENS, Dome Light	1701 and On; 101D and On; 101E and On
A1280-3	LENS, Nav. Light, Green	1701 and On; 101D and On; 101E and On
A1280-2	LENS, Nav. Light, Red	1701 and On; 101D and On; 101E and On
B7633	LENS, Rot. Beacon (9.3.)	1701 and On; 101D and On; 101E and On
1469-1	LENS, Spotlight, Red	1701 and On; 101D and On; 101E and On
B-3555-A	LIGHT, Dome	1701 and On; 101D and On; 101E and On
83B-1310-117	LIGHT, Indicator	1701 and On; 101D and On; 101E and On
A-1425-R	LIGHT, Instrument	1701 and On; 101D and On; 101E and On
GE4537	LIGHT, Landing	1701-1939
GE4522	LIGHT, Landing	1940 and On; 101D and On; 101E and On
A-2064	LIGHT, Tail	1701 and On; 101D and On; 101E and On
VM911-M-3A	LIGHT, Warning, Green	1701 and On; 101D and On; 101E and On
VM911-M-2A	LIGHT, Warning, Red	1701 and On; 101D and On; 101E and On
A1285-G-12	LIGHT, Wing, Green	1940 and On; 101D and On; 101E and On
A1285-R-12	LIGHT, Wing, Red	1940 and On; 101D and On; 101E and On
BK4-2272	LIGHTER, Cigarette	1701 and On; 101D and On; 101E and On

PART NO.	DESCRIPTION	FITS MODEL NUMBER
35-204	LINING, Brake	1701 and On; 101D and On; 101E and On
10-187473	LOCK ASSY.	1701 and On; 101D and On; 101E and On
3319	LOCK ASSY., Door	1701 and On; 101D and On; 101E and On
10-187478	LOCK ASSY., Door	1701 and On; 101D and On; 101E and On
10-81337	LOCK ASSY., Door	1701 and On; 101D and On; 101E and On
AN995F51	LOCK WIRE	1701 and On; 101D and On; 101E and On
S4LN-200(71397)	MAGNETO, Left	1701 and On; 101D and On; 101E and On
S4LN-204(71398)	MAGNETO, Right	1701 and On; 101D and On; 101E and On
RS-38A2	MICROPHONE	1701 and On; 101D and On; 101E and On
J-7402-16	MOUNT, Lord	101E and On
J-7402-1	MOUNT, Shock	1701 and On; 101D and On
J-6984-8	MOUNT, Shock	1701 and On; 101D and On; 101E and On
6400	MUFFLER ASSY.	1701-2296
850-2	MUFFLER ASSY.	101E and On
816-8D	NIPPLE	1940 and On; 101D and On; 101E and On
STD1410	NUT	1940 and On; 101D and On
8-32	NUT, Cap	1940-2622; 101-200D
RP-A-59-028	NUT, Elastic Stop	2297 and On; 101D and On; 101E and On
K-6	NUT, Female Screw	1701 and On; 101D and On; 101E and On
ESNA22-	NUT PLATE	1701 and On; 101D and On; 101E and On
NAIK-02		
RM52LHTA-51A-02	NUT PLATE	101E and On
A1274-8Z-3	NUT, Speed	1701 and On; 101D and On; 101E and On
A1789-8Z-1	NUT, Speed	1701 and On; 101D and On; 101E and On
A1890-4Z-1	NUT, Speed	1701 and On; 101D and On; 101E and On
A1949-8Z-3	NUT, Speed	1701 and On; 101D and On; 101E and On
A6187-4Z-1	NUT, Speed	1701 and On; 101D and On; 101E and On
A6191-4Z-1	NUT, Speed	1701 and On; 101D and On; 101E and On
A6191-8Z-3	NUT, Speed	1701 and On; 101D and On; 101E and On
A6194-8Z-3	NUT, Speed	1701 and On; 101D and On; 101E and On
A1633-11	"O" RING, McCauley	1701-1940
294(PRP-909-6)	"O" RING, Hartzell	1701 and On; 101D and On; 101E and On
MS29512-6	"O" RING	2623C and On; 201D and On; 101E and On
35-202	PISTON	1701 and On; 101D and On; 101E and On
PH502-12	PITOT, Heated (O.E.)	1701 and On; 101D and On; 101E and On
35-205(64-3)	PLATE, Back	1701 and On; 101D and On; 101E and On
22NA17A-02	PLATE, Nut	101E and On
35-203	PLATE, Pressure	1701 and On; 101D and On; 101E and On
B3014	PLATE, Torque	1701 and On; 101D and On; 101E and On
6041H34B	POWER RELAY	1940 and On; 101D and On; 101E and On
C-46001	PRE-STALL SWITCH Assy.	1701 and On; 101D and On; 101E and On
B-5	PROBE, Temp.	1940 and On; 101D and On
2D36C14/78KM4	PROPELLER, McCauley	1701-1939
HC-C2YK-1/7666-2	PROPELLER, Hartzell	1940-2400; 101-200D
2D34C53-A/74E-0	PROPELLER, McCauley	2401-2622
IC172/MFA-7460	PROPELLER, McCauley	201D and On
HC-C2YK-1/7666-2	PROPELLER, Hartzell	2623C and On; 101E and On
#1	PROTECTOR, Pitot Tube	1701 and On; 101D and On; 101E and On
476087	PUMP, Electric Fuel	1701-2622
4140-00-21	PUMP, Electric	2623C and On; 101D and On
4140-00-19	PUMP, Electric	101E and On
AC5656696	PUMP, Engine Driven	101E and On

EFFECTIVITY LIST

M 20 B, C, D & E



VENDOR PARTS

OCTOBER 15, 1963

PART NO.	DESCRIPTION	FITS MODEL NUMBER
H&E626	PUMP, Flap Actuator	1940 and On; 101D and On; 101E and On
AC5656697 (74999)	PUMP, Fuel	101E and On
62628	PUMP, Fuel	1701-1939
74082	PUMP, Fuel	1940 and On; 101D and On
G450	PUMP, Vacuum	1701-1939
113A5	PUMP, Vacuum	1940 and On; 101D and On; 101E and On
H&E626-1	PUMP & VALVE ASSY.	2623C and On; 201D and On; 101E and On
H&E626	PUMP & VALVE ASSY.	1701 and On; 101D and On; 101E and On
8526250	RADIATOR, Oil	1701-2622; 101-200D
8432-A	RADIATOR, Oil	101E and On
244-16	RECEPTACLE	1701 and On; 101-200D
1119224(71745)	REGULATOR (50 Amp.)	1701 and On; 101D and On; 101E and On
25-25	RHEOSTAT	1701 and On; 101D and On; 101E and On
39094(153-1)	RING, Grease Seal	1701 and On; 101D and On; 101E and On
39094	RING, Grease Seal	1701 and On; 101D and On; 101E and On
NAS-51-37	RING, Retaining	1701-1939; 101D and On; 101E and On
R4G	RING, Snap	1701 and On; 101D and On
561	RIVET, Brake	1701 and On; 101D and On; 101E and On
X200	RUBBER, Chardon Extr.	101E and On
FC6446	SCREW, Bleeder	1701 and On; 101D and On; 101E and On
6X3/4	SCREW, Chrome Plated	1701 and On; 101D and On; 101E and On
4X1/4	SCREW, PK	1701 and On; 101D and On; 101E and On
4X3/8	SCREW, PK	1701 and On; 101D and On; 101E and On
4X1/2	SCREW, PK	1701 and On; 101D and On; 101E and On
8X1/2	SCREW, PK	1701 and On; 101D and On; 101E and On
27-121(157-3)	SHIELD, Dust	1701 and On; 101D and On; 101E and On
27-122(156-1)	SHIELD, Dust, Inner	1701 and On; 101D and On; 101E and On
35-206	SHIM (SPACER)	1701 and On; 101D and On; 101E and On
105918	SHUNT	1940 and On; 101D and On; 101E and On
22-627	SNUBBER	2623C and On; 201D and On
0411225	SOCKET	1701-2200
001464(61427)	SOLENOID, Starter	1701 and On; 101D and On; 101E and On
46AMS	SPEAKER, Cabin	1701-1939
P4-2	SPEAKER	1940-2296
721120(V5F47)	SPEAKER	2297 and On; 101D and On; 101E and On
D2136/D2137	SPINNER ASSY., McCauley	1701-1939
835-20	SPINNER ASSY., Hartzell	1940-2400; 101-200D
D2809	SPINNER ASSY., McCauley	2401-2622
D-3339	SPINNER ASSY.	201D and On
835-20	SPINNER ASSY., Hartzell	2623C and On; 101E and On
42ND10-048	SPLINE-NUT (ESNA)	1940 and On; 101D and On; 101E and On
H&W186-218	SPRING	1701 and On; 101D and On; 101E and On
A841-7	SPRING, Antenna	1701 and On; 101D and On; 101E and On
1109689(71091)	STARTER	1701 and On; 101D and On; 101E and On
0511001-129	STRAP, Door Pull	1701-2296
4002-6	STUD	1701 and On; 101D and On
D7270-5-5	SWITCH, C.B.	1701 and On; 101D and On; 101E and On
MBH-2731	SWITCH & ACTUATOR ASSY.	1701-1939
D7270-5-10	SWITCH, Beacon C.B.	1701 and On; 101D and On; 101E and On
D7270-5-10	SWITCH, Heated Pitot C.B.	1701 and On; 101D and On; 101E and On
D7270-5-20	SWITCH, Land. Light C.B.	2623C and On; 201D and On; 101E and On

PART NO.	DESCRIPTION	FITS MODEL NUMBER
V3-1	SWITCH, Gear Warning	1940 and On; 101D and On; 101E and On
10-126690-8	SWITCH, Magneto	1701-1939
10-126680-2	SWITCH, Magneto	2297 and On; 101D and On; 101E and On
10-126690-1	SWITCH, Magneto	1701-2296
BZ-7RQ1T	SWITCH, Micro	1701-1939
BZ-7RWT-80	SWITCH, Micro	1701 and On; — 101E and On
WZ-7RWT-80	SWITCH, Micro	1701 and On; 101D and On; 101E and On
22-1280-04	SWITCH, Vacuum	1940 and On; 101D and On; 101E and On
1548433	TACHOMETER	1701-2622; 101-200D
535-J1	TACHOMETER	2623C and On; 201D and On —
535-J3	TACHOMETER	— — 101E and On
850-3	TAIL PIPE ASSY.	101E and On
P-12	TAPE, Permacol 6" Alum.	1701 and On; 101D and On; 101E and On
31889 (31891)	TERMINAL	1701 and On; 101D and On; 101E and On
31903	TERMINAL	1701 and On; 101D and On; 101E and On
32446	TERMINAL	1701 and On; 101D and On; 101E and On
32447 (32448)	TERMINAL	1701 and On; 101D and On; 101E and On
32547 (35112)	TERMINAL	1701 and On; 101D and On; 101E and On
35109	TERMINAL	1701 and On; 101D and On; 101E and On
35183 (322870)	TERMINAL	1701 and On; 101D and On; 101E and On
35184 (321600)	TERMINAL	1701 and On; 101D and On; 101E and On
321600	TERMINAL	1701 and On; 101D and On; 101E and On
322870	TERMINAL	1701 and On; 101D and On; 101E and On
324054	TERMINAL	1701 and On; 101D and On; 101E and On
L116-5	THERMOCOUPLE LEAD	1701 and On; 101D and On; 101E and On
5:00x5	TIRE, 4 Ply	1701 and On; 101D and On; 101E and On
6:00x6	TIRE, 6 Ply	1701 and On; 101D and On; 101E and On
AC5642354	TRANS., Fuel Quantity	1701 and On; 101D and On; 101E and On
AC5641991	TRANS., Fuel Quantity	1701 and On; 101D and On; 101E and On
5:00x5	TUBE, Inner	1701 and On; 101D and On; 101E and On
6:00x6	TUBE, Inner	1701 and On; 101D and On; 101E and On
F391-80-IF	VALVE, Drain (FLUSH VALVE)	1701 and On; 101D and On; 101E and On
H&E-771	VALVE, Drain (FLUSH VALVE)	2623C and On; 201D and On; 101E and On
H&E-769	VALVE, Drain	2623C and On; 201D and On; 101E and On
745-1	VALVE, Fuel Selector	1701 and On; 101D and On; 101E and On
HD-LF-180	VALVE, Oil Drain	2623C and On; 201D and On; 101E and On
4500-A1	VALVE, Park Brake	1701 and On; 101D and On; 101E and On
113A4 (133A4)	VALVE, Regulating	1940 and On; 101D and On; 101E and On
STD-35	WASHER	1940 and On; 101D and On
STD-475	WASHER	1940 and On; 101D and On
39091 (154-1)	WASHER, Felt	1701 and On; 101D and On; 101E and On
39091 (154-1)	WASHER, Felt Seal	1701 and On; 101D and On; 101E and On
#6	WASHER, Finish	1701 and On; 101D and On; 101E and On
614	WASHER, Finish	1701 and On; 101D and On; 101E and On
A2112	WASHER, Prop. McCauley	1701-1939
	WASHER, Prop. Hartzell	1940 and On
61x2	WEATHERHEAD	1701 and On; 101D and On; 101E and On
68x2	WEATHERHEAD	1701-1939

EFFECTIVITY LIST
M 20 B, C, D & E



PART NO.	DESCRIPTION	FITS MODEL NUMBER
69x2	WEATHERHEAD	1701-1939
27-100(40-33)	WHEEL ASSY., Nose	1701 and On; 101D and On; 101E and On
27-100A(40-24)	WHEEL ASSY.	1940 and On; 101D and On; 101E and On
27-000	WHEEL & BRAKE ASSY.	1701 and On; 101D and On; 101E and On
27-104(161-4)	WHEEL HALF ASSY. Inner	1701 and On; 101D and On; 101E and On
27-102(162-10)	WHEEL HALF ASSY. Outer	1701 and On; 101D and On; 101E and On
21-100D(40-33)	WHEEL, Nose 5:00x5(40-33) (40-33)	1701 and On; 101D and On; 101E and On

