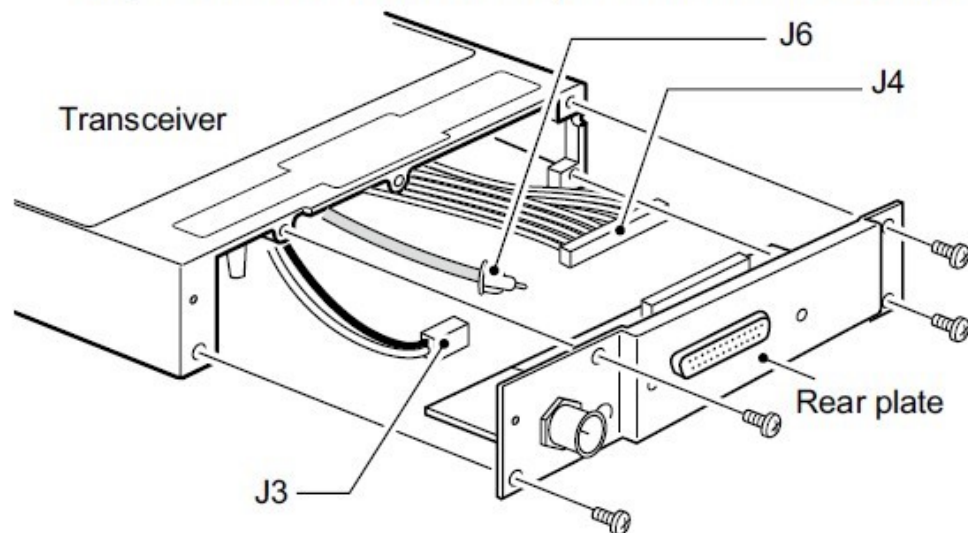


5 USING THE MBA-3

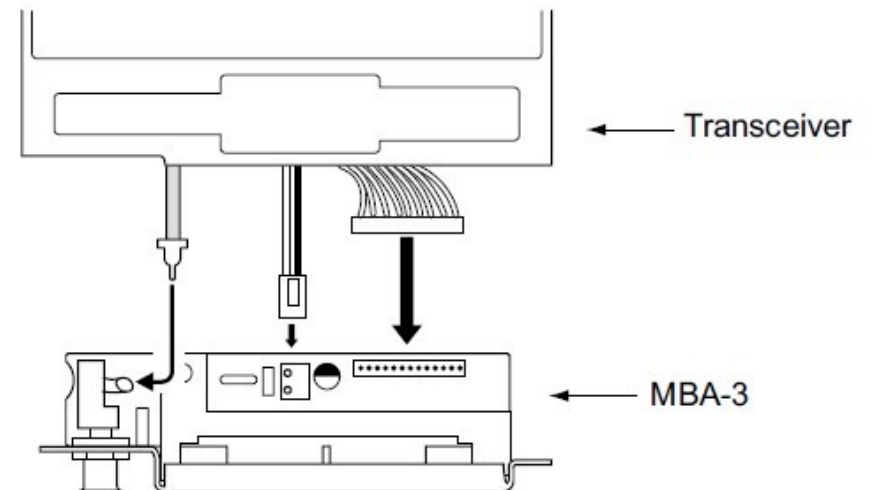
When installing the transceiver with card edge connector, use the optional MBA-3 as described below.

◆ Attachment

1. Unscrew the 10 bottom screws, then remove the bottom cover from the transceiver.
2. Unscrew the four rear plate screws.
3. Disconnect the I/O cable connectors J3, J4, and coaxial J6, and then remove the rear plate from the transceiver.



4. Connect the I/O cable connectors and coaxial onto the MBA-3 as illustrated below.



5. Attach the MBA-3 to the transceiver with the five rear plate screws.
6. Replace the removed bottom cover and 10 screws.